

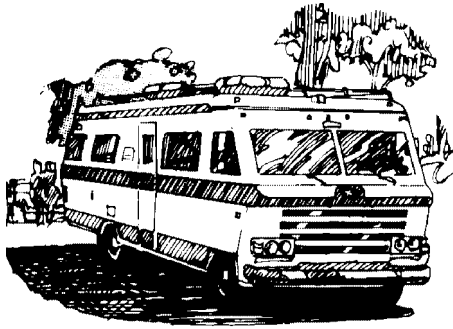


Amana



RV Cooking Appliance Use and Care

(Appliance is not approved for marine use)



CONTENTS

- SAFETY INSTRUCTIONS 3 to 5
- USE AND CARE 6 to 19
 - Using the cooktop
 - Using the oven
 - Maintenance
 - Care
 - Service

⚠ WARNING

FOR YOUR SAFETY IF YOU SMELL GAS:

1. Open windows and evacuate all persons from the vehicle.
2. Shut off the gas supply at the gas container or source.
3. Extinguish any open flame.
4. Do not touch electrical switches or use any phone or radio in the vehicle.
5. Do not start the vehicle's engine or electric generator.
6. Immediately call your gas supplier or qualified service technician for repairs.
7. Do not turn on the gas supply until the gas leak(s) has been repaired.

FOR YOUR SAFETY

Do not store or use gasoline or other flammable vapors and liquids in the vicinity of this or any other appliance.

⚠ WARNING

Improper installation, adjustment, alteration, service, or maintenance can cause injury or property damage. Refer to this manual. For assistance or additional information consult a qualified installer, service agency, manufacturer (dealer), or the gas supplier.

INSTALLER Please leave this manual with the appliance.

CONSUMER To save you time, energy and money, read and keep this manual for future reference.

**FOR CUSTOMER ASSISTANCE CALL: 1-800-688-9900 USA
1-800-688-2002 Canada**

Thank You . . . for purchasing our cooking appliance. To help you obtain the maximum in cooking satisfaction, we offer these suggestions:

☞ Read this manual before using the appliance.

☞ Review all safety and caution instructions.

☞ Review the Troubleshooting Chart on pages 18 to 19 if service becomes necessary.

☞ Include the model and serial numbers of your appliance when requesting service.

- Proof of purchase such as sales receipt will be needed for warranty service.

☞ You can contact us at:

Maytag Appliances Sales Company
 Attn: CAIR® Center
 P. O. Box 2370
 Cleveland, TN 37320-2370

1-800-688-9900 USA
1-800-688-2002 Canada

In our continuing effort to improve the quality and performance of our cooking appliances, it may be necessary to make changes to the appliance without revising this manual.

TABLE OF CONTENTS

IMPORTANT SAFETY INSTRUCTIONS 3-5

USING THE COOKTOP 6-7

 Ignition system 6

 How to light surface burner 6

 Shutdown instructions 6

 Selecting the flame size 7

 Adjusting the flame 7

 Cookware considerations 7

USING THE OVEN 8-11

 Ignition system 8

 How to light oven pilot 8

 Oven characteristics 8

 Oven knob 8

 Shutdown instructions 8

 How to set oven 9

 Preheating 9

 Use of aluminum foil 9

 Baking tips 9

 Common baking problems chart 10

 Roasting tips 11

 Broiling tips 11

MAINTENANCE 12-14

 Cooktop 12

 Burner grates 12

 Sealed surface burners 13

 Conventional burners 13

 Oven door 14

 Oven rack 14

 Oven bottom 14

CARE AND CLEANING CHART 15-17

SERVICE 18-19

 Before you call for service chart

Read all instructions before using this appliance.

The following instructions are based on safety considerations and must be strictly followed to eliminate the potential risks of fire, electric shock, or personal injury.

Have your appliance installed and properly grounded by a qualified installer according to the installation instructions. Have the installer show you the location of the gas shut off valve and how to shut it off in an emergency.

Always disconnect power to appliance before servicing.

To ensure proper operation and avoid possible injury or damage to unit do not attempt to adjust, repair, service, or replace any part of your appliance unless it is specifically recommended in this book. All other servicing should be referred to a qualified installer or servicer.

TO PREVENT FIRE OR SMOKE DAMAGE

Be sure all packing materials are removed from the appliance before operating it.

Keep area around appliance clear and free from combustible materials, gasoline, and other flammable vapors and materials.

If appliance is installed near a window, proper precautions should be taken to prevent curtains from blowing over burners.

Never leave any items unattended on the cooktop. The hot air from the vent may ignite flammable items and may increase pressure in closed containers which may cause them to burst.

Many aerosol-type spray cans are **EXPLOSIVE** when exposed to heat and may be highly flammable. Avoid their use or storage near an appliance.

Many plastics are vulnerable to heat. Keep plastics away from parts of the appliance that may become warm or hot. Do not leave plastic items on the cooktop as they may melt or soften if left too close to the vent or a lighted surface burner.

To eliminate the hazard of reaching over hot surface burners, cabinet storage should not be provided directly above a unit. If such storage is provided, it should be limited to items which are used infrequently and which are safely stored in an area subjected to heat from an appliance. Temperatures may be unsafe for some items, such as volatile liquids, cleaners or aerosol sprays.

IN CASE OF FIRE

Turn off appliance and ventilating hood to avoid spreading the flame. Extinguish flame then turn on hood to remove smoke and odor.

Use dry chemical or foam-type extinguisher or baking soda to smother fire or flame. Never use water on a grease fire.

If fire is in the oven or broiler pan, smother by closing oven door.

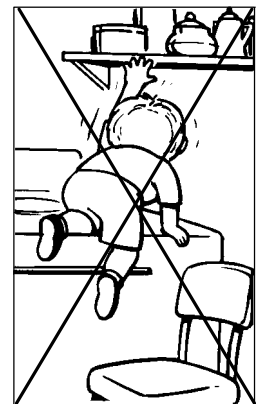
If fire is in a pan on the surface burner, cover pan. Never attempt to pick up or move a flaming pan.

CHILD SAFETY

Never leave children alone or unsupervised near the appliance when it is in use or is still hot. Children should never be allowed to sit or stand on any part of the appliance.

Children must be taught that the appliance and utensils in it can be hot. Let hot utensils cool in a safe place, out of reach of small children. Children should be taught that an appliance is not a toy. Children should not be allowed to play with controls or other parts of the unit.

CAUTION: Never store items of interest to children in cabinets above an appliance or on the backguard of a range. Children climbing on the appliance or on the appliance door to reach items could be seriously injured.

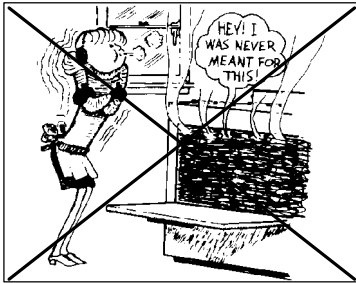


4

IMPORTANT SAFETY INSTRUCTIONS

ABOUT YOUR APPLIANCE

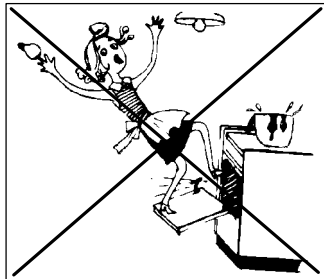
To prevent potential hazard to the user and damage to the appliance, never use appliance as a space heater to heat or warm a room. Also, do not use the cooktop or oven as a storage area for food or cooking utensils.



Do not obstruct the flow of combustion and ventilation air by blocking the oven vent or air intakes. Restriction of air flow to the burner prevents proper performance and increases carbon monoxide emission to unsafe levels.

Avoid touching oven vent area while oven is on and for several minutes after oven is turned off. Some parts of the vent and surrounding area become hot enough to cause burns. After oven is turned off, do not touch the oven vent or surrounding areas until they have had sufficient time to cool.

CAUTION: Never use an appliance as a step stool to cabinets above. Misuse of appliance doors or drawers, such as stepping, leaning or sitting on the door or drawer, may result in possible tipping of the appliance, breakage of door, and serious injuries.



Do not touch a hot oven light bulb with a damp cloth as the bulb could break. Should the bulb break, disconnect power to the appliance before removing bulb to avoid electrical shock.

PREPARED FOOD WARNING

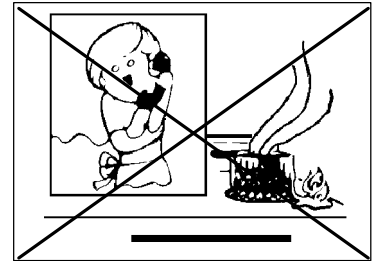
Follow food manufacturer's instructions. If a plastic frozen food container and/or its cover distorts, warps, or is otherwise damaged during cooking, immediately discard the food and its container. The food could be contaminated.

COOKING SAFETY

Always place a pan on a surface burner before turning it on. Be sure you know which knob controls which surface burner. Make sure the correct burner is turned on and that the burner has ignited. When cooking is completed, turn burner off before removing pan to prevent exposure to burner flame.

Always adjust surface burner flame so that it does not extend beyond the bottom edge of the pan. An excessive flame is hazardous, wastes energy and may damage the appliance, pan or cabinets above the appliance.

Never leave a surface cooking operation unattended especially when using a high heat setting or when deep fat frying. Boilovers cause smoking and greasy spillovers may ignite. Clean up greasy spills as soon as possible. Do not use high heat for extended cooking operations.



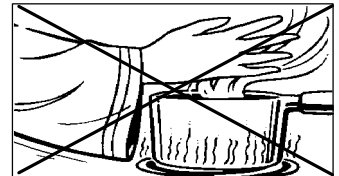
Never heat an unopened container on the surface burner or in the oven. Pressure build-up may cause container to burst resulting in serious personal injury or damage to the appliance.

Use dry, sturdy pot holders. Damp pot holders may cause burns from steam. Dish towels or other substitutes should never be used as pot holders because they can trail across hot surface burners and ignite or get caught on appliance parts.

Always let quantities of hot fat used for deep fat frying cool before attempting to move or handle.

Do not let cooking grease or other flammable materials accumulate in or near the appliance, hood or vent fan. Clean hood frequently to prevent grease from accumulating on hood or filter. When flaming foods under the hood, turn the fan on.

Use caution when wearing garments made of flammable material to avoid clothing fires. Loose fitting or long hanging-sleeved apparel should not be worn while cooking. Clothing may ignite or catch utensil handles.



Always place oven racks in the desired positions while oven is cool. Slide oven rack out to add or remove food, using dry sturdy pot holders. Always avoid reaching into the oven to add or remove food. If a rack must be moved while hot, use a dry pot holder. Always turn the oven off at the end of cooking.

Use care when opening the oven door. Let hot air or steam escape before removing or replacing food.

IMPORTANT SAFETY INSTRUCTIONS

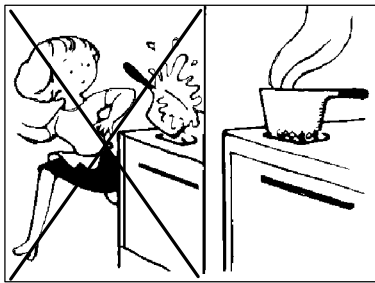
5

UTENSIL SAFETY

Use pans with flat bottoms and handles that are easily grasped and stay cool. Avoid using unstable, warped, easily tipped or loose handled pans. Pans that are heavy to move when filled with food may also be hazardous.

Be sure utensil is large enough to properly contain food and avoid boilovers. Pan size is particularly important in deep fat frying. Be sure pan will accommodate the volume of food that is to be added as well as the bubble action of fat.

To minimize burns, ignition of flammable materials and spillage due to unintentional contact with the utensil, do not extend handles over adjacent surface burners. Always turn pan handles toward the side or back of the appliance, not out into the room where they are easily hit or reached by small children.



Never let a pan boil dry as this could damage the utensil and the appliance.

Follow the manufacturer's directions when using oven cooking bags.

Only certain types of glass, glass/ceramic, ceramic, or glazed utensils are suitable for cooktop or oven usage without breaking due to the sudden change in temperature.

This appliance has been tested for safe performance using conventional cookware. Do not use any devices or accessories that are not specifically recommended in this manual. Do not use eyelid covers for the surface units, stove top grills, or add-on oven convection systems. The use of devices or accessories that are not expressly recommended in this manual can create serious safety hazards, result in performance problems, and reduce the life of the components of the appliance.

CLEANING SAFETY

Turn off all controls and wait for appliance parts to cool before touching or cleaning them. Do not touch the burner grates or surrounding areas until they have had sufficient time to cool.

Clean appliance with caution. Use care to avoid steam burns if a wet sponge or cloth is used to wipe spills on a hot surface. Some cleaners can produce noxious fumes if applied to a hot surface.

IMPORTANT SAFETY NOTICE AND WARNING

The California Safe Drinking Water and Toxic Enforcement Act of 1986 (Proposition 65) requires the Governor of California to publish a list of substances known to the State of California to cause cancer or reproductive harm, and requires businesses to warn customers of potential exposures to such substances.

Users of this appliance are hereby warned that the burning of gas can result in low-level exposure to some of the listed substances, including benzene, formaldehyde and soot, due primarily to the incomplete combustion of natural gas or liquid petroleum (LP) fuels. Properly adjusted burners will minimize incomplete combustion. Exposure to these substances can also be minimized by properly venting the burners to the outdoors by opening the windows and/or door in the room where the appliance is located.

IMPORTANT NOTICE REGARDING PET BIRDS. . .

Never keep pet birds in the kitchen or in rooms where the fumes from the kitchen could reach. Birds have a very sensitive respiratory system. Fumes released during an oven self-cleaning cycle may be harmful or fatal to birds. Fumes released due to overheated cooking oil, fat, margarine and overheated non-stick cookware may be equally harmful.

SAVE THESE INSTRUCTIONS

IGNITION SYSTEM

The surface burners will feature either **matchlit** ignition or **Piezo pilotless** ignition. Be sure all control knobs are in the OFF position before supplying gas to the appliance. Be sure gas supply to appliance is on before lighting burner.

HOW TO LIGHT SURFACE BURNER

To prevent damage to the cooktop or pan:

- Never operate the surface burner without a pan in place.
- Never allow a pan to boil dry.
- Never operate a surface burner on HIGH for extended periods of time.

CAUTION: If the burner does not light within about 4 seconds or if the flame should go out during cooking, turn the burner off. If gas has accumulated and a strong gas odor is detected, open a window and wait 5 minutes for the gas odor to disappear before relighting the burner.

If the appliance has not been operated for a period of time, the surface burner may be difficult to light due to air in the gas line.

To bleed off air from the line:

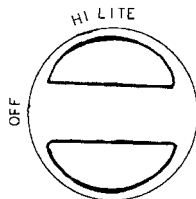
1. Hold a lighted match next to the burner.
2. Turn the surface burner control knob to the LITE position.
3. When the burner lights, turn the knob back to the OFF position.
4. Proceed as directed below.

To light surface burner with matchlit ignition:

1. Place a pan on the burner grate.
2. Hold a lighted match next to the desired surface burner head.

CAUTION: Do not turn the control knob on and allow gas to escape before lighting the match.

3. Push in and turn the surface burner control knob to the LITE position.



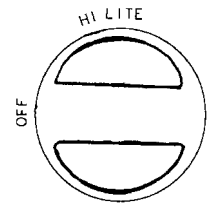
4. When the burner lights, adjust the knob between HI and LOW to select the desired flame size.

5. After cooking, turn the surface burner control knob to the OFF position.

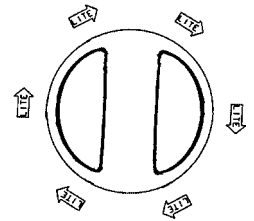
To light surface burner with Piezo ignition:

1. Place a pan on the burner grate.
2. Push in and turn the surface burner control knob to the LITE position.

IMPORTANT: Only light one surface burner at a time.



3. Immediately, rotate the TOP BURNER IGNITOR knob to the right (clockwise) several clicks until the burner lights. The burner should light within 6 clicks or one full rotation of the knob.



4. When the burner lights, adjust the surface burner control knob between HI and LOW to select the desired flame size.
5. After cooking, turn the surface burner control knob to the OFF position.

To operate burner if the Piezo ignitor is not functional:

1. Be sure all controls are in the OFF position.
2. Hold a lighted match to the desired surface burner head.

CAUTION: Do not turn the control knob on and allow gas to escape before lighting the match.

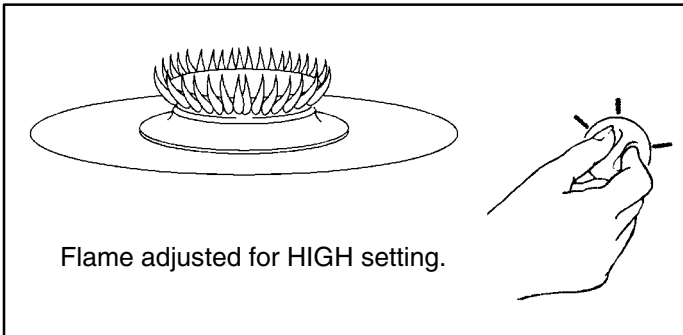
3. Push in and turn the surface burner control knob to the LITE position.
4. When the burner lights, adjust the knob between HI and LOW to select the desired flame size.
5. After cooking, turn the knob to the OFF position.

SHUTDOWN INSTRUCTIONS

When the recreational vehicle is not in use or while traveling, turn all knobs to the OFF position and turn off the main gas supply.

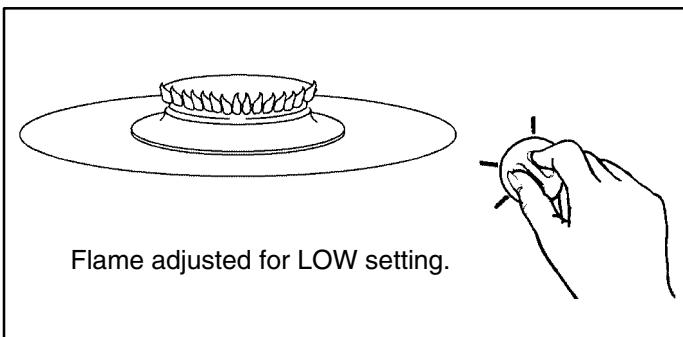
SELECTING FLAME SIZE

Use a HIGH flame setting to quickly bring liquids to a boil or to begin a cooking operation. Then reduce to a lower setting to continue cooking. **Never leave food unattended when using a HIGH flame setting.**



An intermediate flame size is used to continue a cooking operation. **Food will not cook any faster when a higher flame setting is used than needed to maintain a gentle boil.** Remember, water boils at the same temperature whether boiling gently or vigorously.

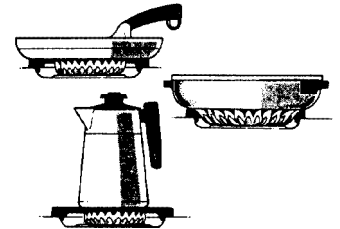
Use LOW to simmer or keep foods at serving temperatures.



If a knob is turned very quickly from the HI to the LOW setting, the flame may go out, particularly if the burner is cold. If this occurs, turn the knob to the OFF position. Wait several seconds, then light the burner again.

ADJUSTING THE FLAME

Adjust the flame size so it does not extend beyond the edge of the cooking utensil. This is for personal safety and to prevent possible damage to the appliance, pan, or cabinets above the appliance. This also improves cooking efficiency.



COOKWARE CONSIDERATIONS

Cookware which extends more than one inch beyond the grate, rests on two grates, or touches the cooktop will cause a build up of heat and result in damage to the burner grate, burner and cooktop.

CAUTION: The maximum pan size is a 10-inch skillet.

To prevent damage to the cooktop and the burner valves, do not use canners or oversized cookware. The pan should not be more than one inch larger than the burner grate.

Cookware, such as a wok with a support ring, which restricts air circulation around the burner will cause heat to build up and may result in damage to the burner grate, burner or cooktop.

Foods cook faster when the cookware is covered because more heat is retained. Lower the flame size when cookware is covered. This also improves cooking efficiency.

The cooking performance is greatly affected by the type of cookware used. Proper cookware will reduce cooking times, use less energy and produce more even cooking results. For best results use a heavy gauge metal pan with a smooth flat bottom, straight sides and a tight fitting lid. Select a material, such as aluminum or copper, that conducts heat quickly and evenly.

IGNITION SYSTEM

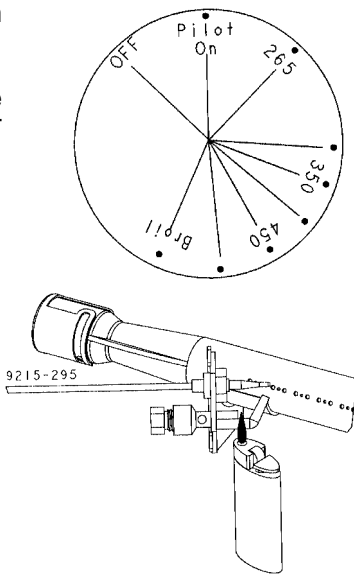
The oven features pilot ignition. Be sure all control knobs are in the OFF position before supplying gas to the appliance. Be sure gas supply to appliance is on before lighting pilot or oven burner.

HOW TO LIGHT OVEN PILOT

If the appliance has not been operated for a period of time, the oven pilot may be difficult to light due to air in the gas line. To bleed air from the line, follow instructions from page 6 under the section "HOW TO LIGHT SURFACE BURNER" where it specifically details how to bleed off air from the line.

To light oven pilot:

1. Be sure all controls are in the OFF position.
2. Push in and turn the OVEN knob to the PILOT ON position.
3. Open the oven door, and locate the oven pilot (beneath the oven bottom, on the left side of the burner). **While pushing in the knob,** hold a match next to the oven pilot (see illustration) for 10-15 seconds or until a small flame is visible without needing to continue pushing in the knob.



NOTE: A delay in the time it takes to light the pilot may signal a need to bleed air from the line. Reference the above paragraph "HOW TO LIGHT OVEN PILOT" for detailed instructions.

4. Once the pilot is lit, leave the OVEN knob in the PILOT ON position if you wish to use the oven.

The standing pilot will remain lit if the OVEN knob is left in the PILOT ON position. If the OVEN knob is turned to the OFF position, gas supply to the pilot will be turned off and the standing pilot flame will extinguish.

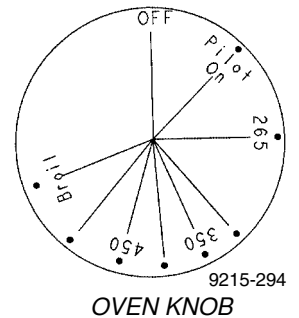
OVEN CHARACTERISTICS

Because each oven has its own personal baking characteristics, do not expect that your new oven will perform exactly like your previous oven. You may find that the cooking times, oven temperatures, and cooking results differ somewhat from your previous range. Allow a period of adjustment. If you have questions concerning baking results, please refer to pages 9, 10 and 11 for additional information.

OVEN KNOB

The OVEN knob is used to select and maintain the oven temperature. Push in and turn this knob just to the desired temperature - not to a higher temperature and then back. This provides more accurate oven temperatures.

Turn this knob to the PILOT ON position if you wish to use the oven. The oven standby pilot will remain lit. Turn the knob to OFF if the oven will not be used or when traveling.



SHUTDOWN INSTRUCTIONS

When the recreational vehicle is not in use or while traveling, turn the OVEN knob to the OFF position and turn off the main gas supply. This will turn off the oven pilot.

HOW TO SET OVEN

1. When cool, position the rack in the oven.
2. Push in and turn the OVEN knob to the desired temperature for baking or roasting or to BR (broil) for broiling.

For baking: Selecting a temperature higher than desired will NOT preheat the oven any faster, and may have a negative effect on baking results.

For broiling: The OVEN knob can be turned to a lower temperature (400 to 450°F) for broiling longer cooking meats or poultry or if excessive smoking or splattering occurs.

3. For baking: Place the food in the center of the oven, allowing one to two inches between the utensil and the oven walls.

For broiling: Place the broiler pan in the broiler area directly below the oven burner.

When the oven is in use, the oven vent area may feel warm or hot to the touch. Do not block this area or the vent opening as this may affect cooking results.

4. Check the food for doneness at the minimum time in the recipe. Cook longer if necessary.
5. Remove the food from the oven and turn the OVEN knob to the PILOT ON or the OFF position.

PREHEATING

Preheating is necessary for baking. Turn the OVEN knob to the desired temperature and allow about 10 to 15 minutes for the oven to preheat.

Selecting a higher temperature will not shorten the preheat time and may affect baking results. It is not necessary to preheat for roasting or broiling.

USE OF ALUMINUM FOIL

Do not cover the oven bottom or the entire oven rack with foil.

BAKING TIPS

Use a reliable recipe and accurately measure fresh ingredients. **Carefully follow directions** for oven temperature and cooking time. Preheat oven if recommended.

Use the correct rack position. There are two or three rack positions, depending on the model. Baking results may be affected if the wrong rack position is used.

- Use the lower rack position for most baking. Use the upper rack position for cookies or biscuits on a cookie sheet .
- Top browning may be darker if food is located toward the top of the oven.
- Bottom browning may be darker if food is located toward the bottom of the oven.

Cookware material and size. Always use the type and size of pan called for in the recipe. Cooking times or cooking results may be affected if the wrong size is used.

The maximum recommended pan size is a 13 x 9 x 2-inch cake pan or a 14 x 10 x 2-inch cookie sheet.

- **Shiny metal pan** reflects heat away from the food, produces lighter browning and a softer crust. Use shiny pans for baking cakes or cookies. For optimum baking results, bake cookies and biscuits on a **flat** cookie sheet. If the pan has sides, such as a jelly roll pan, browning may not be even.
- **Dark metal pan** or **a pan with an anodized (dull) bottom** absorbs heat, produces darker browning and a crisper crust. Use this type of pan for pies, pie crusts or bread.
- If using **oven-proof glassware**, or **dark pans such as Baker's Secret** reduce the oven temperature by 25°F except when baking pies or bread. Use the same baking time as called for in the recipe.

Allow hot air to flow freely through the oven for optimum baking results. Large pans or improper placement of pans in the oven will block air flow and may result in uneven browning. For optimum browning and even cooking results:

- Do not crowd a rack by placing several pans on a rack. Also, do not block air flow by using too large of a pan.
- Allow one to two inches between the pan and the oven walls.

Check the cooking progress at the minimum time. If necessary, continue checking at intervals until the food is done. If the oven door is opened too frequently, heat will escape from the oven; this can affect baking results and wastes energy.

COMMON BAKING PROBLEMS AND WHY THEY HAPPEN

PROBLEM	CAUSE
<i>Cakes are uneven.</i>	<ul style="list-style-type: none"> • Pans too close or touching each other or oven walls. • Batter uneven in pans. • Temperature set too low or baking time too short. • Oven not level. • Undermixing. • Too much liquid.
<i>Cake high in middle.</i>	<ul style="list-style-type: none"> • Temperature set too high. • Baking time too long. • Overmixing. • Too much flour. • Pans touching each other or oven walls. • Incorrect rack position.
<i>Cake falls.</i>	<ul style="list-style-type: none"> • Too much shortening or sugar. • Too much or too little liquid. • Temperature set too low. • Old or too little baking powder. • Pan too small. • Oven door opened frequently. • Added incorrect type of oil to cake mix. • Added additional ingredients to cake mix or recipe.
<i>Cakes, cookies, biscuits don't brown evenly.</i>	<ul style="list-style-type: none"> • Incorrect rack position. • Oven door not closed properly. • Door gasket not sealing properly. • Incorrect use of aluminum foil. • Oven not preheated. • Pans darkened, dented or warped.
<i>Cakes, cookies, biscuits too brown on bottom.</i>	<ul style="list-style-type: none"> • Oven not preheated. • Pans touching each other or oven walls. • Incorrect rack position. • Incorrect use of aluminum foil. • Placed 2 cookie sheets on one rack. • Used glass, dark, stained warped or dull finish metal pans. (Use a shiny cookie sheet.) <p>Follow cookware manufacturer's instructions for oven temperature. Glassware and dark cookware such as Ecko's Baker's Secret require lowering the oven temperature by 25°F.</p>
<i>Cakes don't brown on top.</i>	<ul style="list-style-type: none"> • Incorrect rack position. • Temperature set too low. • Overmixing. • Too much liquid. • Pan size too large or too little batter in pan. • Oven door opened too often.
<i>Excessive shrinkage.</i>	<ul style="list-style-type: none"> • Too little leavening. • Overmixing. • Pan too large. • Temperature set too high. • Baking time too long. • Pans too close to each other or oven walls.
<i>Uneven texture.</i>	<ul style="list-style-type: none"> • Too much liquid. • Undermixing. • Temperature set too low. • Baking time too short.
<i>Cakes have tunnels.</i>	<ul style="list-style-type: none"> • Not enough shortening. • Too much baking powder. • Overmixing or at too high a speed. • Temperature set too high.
<i>Cake not done in middle.</i>	<ul style="list-style-type: none"> • Temperature set too high. • Pan too small. • Baking time too short. <p>If additional ingredients were added to mix or recipe, expect cooking time to increase.</p>
<i>Pie crust edges too brown.</i>	<ul style="list-style-type: none"> • Temperature set too high. • Pans touching each other or oven walls. • Edges of crust too thin; shield with foil.
<i>Pies don't brown on bottom.</i>	<ul style="list-style-type: none"> • Used shiny metal pans. • Temperature set too low. • Incorrect rack position.
<i>Pies have soaked crust.</i>	<ul style="list-style-type: none"> • Temperature too low at start of baking. • Filling too juicy. • Used shiny metal pans.

ROASTING TIPS

- Roasting is the method for cooking large, tender cuts of meat uncovered, without adding moisture. Most meats are roasted at 325°F. It is not necessary to preheat the oven.
- Use tender cuts of meat weighing three pounds or more. Some good choices are: Beef rib, ribeye, top round, high quality tip and rump roast, pork loin roast, leg of lamb, veal shoulder roast and cured or smoked hams.
- Season meat, if desired, either before or after roasting. Rub into the surface of the roast if added before cooking.
- Place the meat fat-side-up on a rack in a shallow roasting pan. Placing the meat on a rack holds it out of the drippings, thus allowing better heat circulation for even cooking. As the fat on top of the roast melts, the meat is basted naturally, eliminating the need for additional basting.
- The cooking time is determined by the weight of the meat and the desired doneness. For more accurate results, use a meat thermometer. Insert it so the tip is in the center of the thickest part of the meat. It should not touch fat or bone.
- Remove the roast from the oven when the thermometer registers approximately 5°F below the doneness wanted. As the meat stands, the temperature will rise.

NOTE: For more information about food safety, call USDA's Meat & Poultry Hotline at 1-800-535-4555. For cooking information write to the National Live Stock and Meat Board, 444 North Michigan Avenue, Chicago, Illinois 60611.

BROILING TIPS

- Broiling is a method of cooking tender meats by direct radiant heat. The cooking time is determined by the distance between the meat and the oven burner, the desired degree of doneness and the thickness of the meat.
- Broiling requires the use of the broiler pan and insert. The broiler insert must be in place to allow fat and liquid to drain to the pan below to prevent spatters, smoke and flare-ups. Improper use may cause grease fires.
- For easier clean up, line the broiler pan with foil and spray the insert with a non-stick vegetable spray. Do not cover the broiler insert with aluminum foil as this prevents fat from draining into pan below.
- Trim excess fat and slash remaining fat to help keep meat from curling and to reduce smoking and spattering. Season meat after cooking.
- It is possible to broil longer cooking foods such as pork chops at a lower temperature to prevent overbrowning. Turn the knob to 400° or 450°F, rather than BROIL, for low temperature broiling. Reduce the broil temperature to 400 to 450°F if excessive smoking or splattering occurs.
- Meat should be turned once about halfway through its cooking time. Check the doneness by cutting a slit in the meat near the center to check the color.
- See Care and Cleaning Chart on page 15 for instructions on cleaning the broiler pan and insert.

NOTE: To purchase a two-piece broiler pan for your RV range, fill out the purchase order form that came with your RV range. If you did not receive the form call 1-800-688-9900 USA, 1-800-688-2002 Canada.

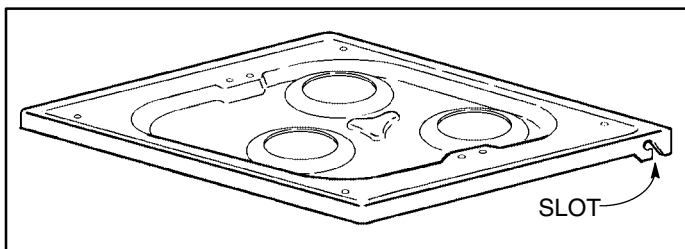
COOKTOP

CAUTION: To prevent damage to the cooktop, do not use canners or oversized cookware. The pan should not be more than one inch larger than the burner grate. The maximum pan size is a 10-inch skillet.

To prevent staining or discoloration, clean cooktop after each use. Wipe acid or sugar stains as soon as the cooktop has cooled as these stains may discolor or etch the porcelain.

To remove:

1. When cool, grasp the two front corners and lift up.
2. Release the slot on the left rear corner of the cooktop flange from the tab on the burner box wall.
3. Then move the cooktop toward the left to release the slot on the cooktop flange from the tab on the burner box wall.



To replace:

1. Insert the slot on the right rear corner of the cooktop flange over the tab on the burner box wall.
2. Lower the rear of the cooktop into place, inserting the slot on the left rear corner of the cooktop flange over the tab on the burner box wall.
3. Lower the top into place and apply slight pressure at the two front corners to secure the cooktop in place.

Due to certain atmospheric conditions, the cooktop on your appliance may show signs of rust on the underneath side. This is especially true in areas of high humidity and salt air areas.

To help eliminate this condition, caution should be taken to make sure that the underneath side of the main top is kept dry. This is especially important in areas of high humidity where moisture accumulates. If you detect signs of rust, we have found it helpful to spray the underneath side with a coat of high-heat tested rustolium or silicone paint.

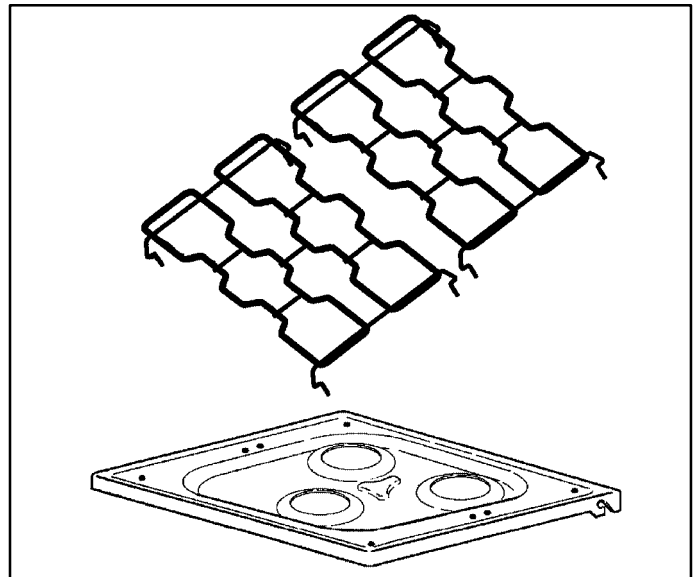
CAUTION: Remove top from appliance and spray in a well vented area.

BURNER GRATES

CAUTION: Do not operate a surface burner without a pan on the grate. The porcelain finish on the grate may chip without a pan to absorb the intense heat from the burner flame.

To install grates:

1. Place grate on cooktop, locating each of the four grate legs on top of the four black plastic grommets.
2. Press down at each corner to secure burner grate to cooktop.
3. To prevent damage to the grommets, do not press down on all four corners at the same time.
4. Install one side of the grate then install the other side.



SEALED SURFACE BURNERS, select models

The porcelain on the burner is durable but over time and with use may gradually lose its shine.

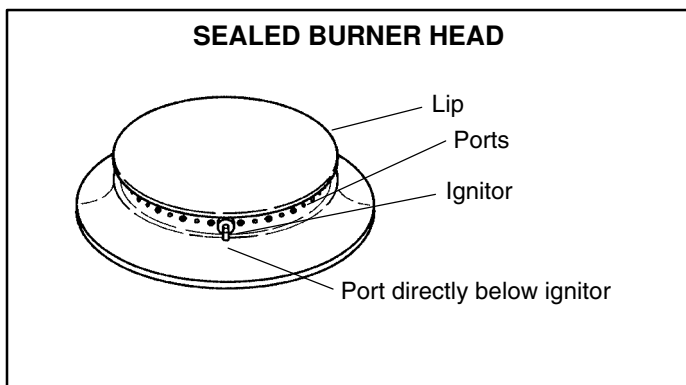
The three sealed surface burners are secured to the cooktop and are NOT designed to be removed by the consumer.

Select models feature one special POWER BOOST sealed burner located at the front. Use this burner to quickly bring water to a boil.

Clean burner cap after each use especially if a spillover occurs. A soiled burner may result in improper ignition or an uneven flame. When cleaning the sealed surface burner, use care to prevent damage to the ignitor. If a cleaning cloth should catch the ignitor, it could be damaged or broken.

If burner does not light:

1. The surface burner will not light if the ignitor is damaged, broken, soiled or wet. The burner will also not light if the ports, especially the small port located directly below the ignitor, are blocked.
2. Check to see if the burner ports are clogged. If so, clean with a straight pin or small metal paper clip.

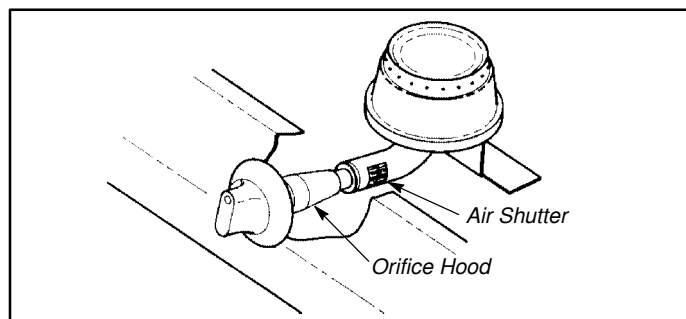


CONVENTIONAL SURFACE BURNERS, select models

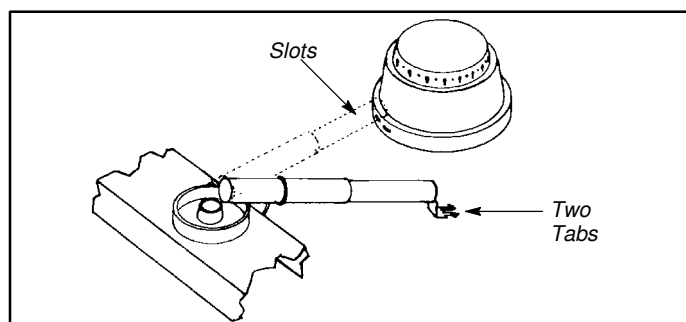
Your RV range or cooktop will feature three surface burners. Each burner is secured in place with a screw. When burner is cool, remove the screw before removing the burner. When re-installing the surface burner be sure to replace the screw.

If the surface burner does not light, check to see if the burner ports are clogged. If so, clean with a straight pin or small metal paper clip. Be sure the standing pilot is lit. Check to be sure that the burner is correctly installed.

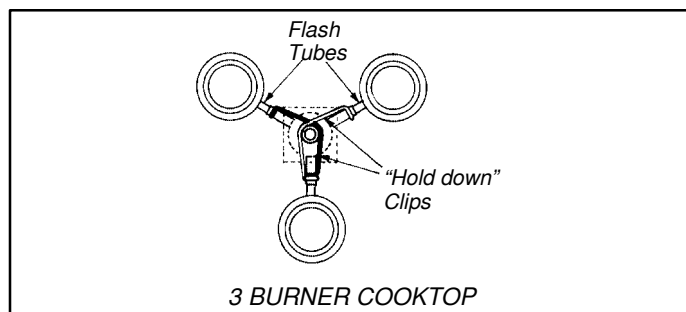
To install surface burner: The air shutter end on the burner should fit over the orifice hood.



To install surface burner with Piezo ignition: The two tabs on each flashtube should be securely inserted into the two slots on each burner head.



The flashtube "hold down" clips should secure the flashtube in place. The clips are located under the metal shield.



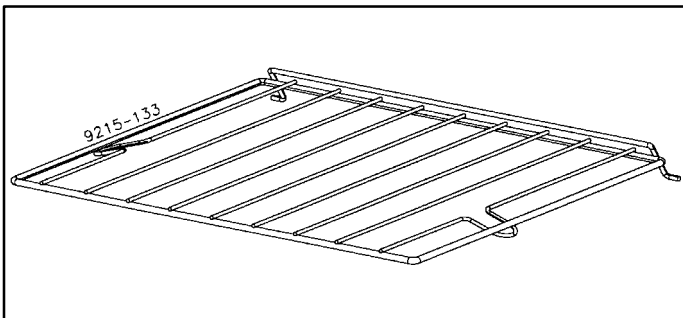
OVEN DOOR

Do not place excessive weight on an open oven door or stand on an open oven door as, in some cases, it could cause the range to tip over, break the door, or cause serious injury to the user.

When opening the oven door, allow steam and hot air to escape before reaching in oven to check, add or remove food.

OVEN RACK

Your RV range features one oven rack with a choice of two or three rack positions. The oven rack is designed with a safety lock-stop position to keep the rack from accidentally coming completely out of the oven when pulling the rack out to add or remove food. The rack also features two tabs to keep the rack from rattling during travel.



CAUTION: Do not attempt to change the rack position when the oven is hot.

To remove:

1. Be sure rack is cool.
2. Pull the rack straight out until it stops. This releases the two tabs on the sides of the rack.
3. Tilt the front end of the rack up, then push the rack to the back of the oven.
4. Lift the rear of the rack up, then remove it from the oven.

To replace:

1. Place the oven rack in the oven, on **top** of the rack supports.
2. Push the rack to the back of the oven to allow the rack to drop into place.
3. Pull the rack forward to the stop position.
4. Then, as you push the rack back, lower the two tabs **under** the rack support. This will anchor the rack into place and prevent it from rattling during travel.

OVEN BOTTOM

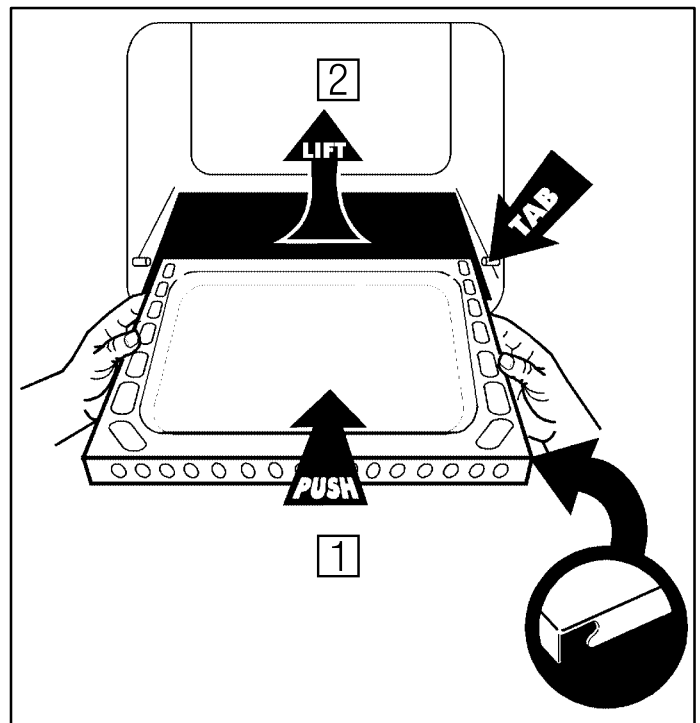
Protect the oven bottom against excessive spillovers, especially acid or sugary spillovers, as they may discolor the porcelain. Use the correct size cooking utensil to avoid boilovers. Never place utensils or aluminum foil directly on the oven bottom.

To remove:

1. When cool, push the oven bottom toward the back of the oven against the springs on the back wall.

This will release the oven bottom from the two tabs on the oven walls.

2. Then lift the oven bottom up and out of the oven.



To replace:

1. Position the oven bottom so the holes on the flange are located at the front of the oven.
2. Slide the oven bottom to the back of the oven until the rear edge is inserted into the bracket across the back of the oven.
3. Then, push the oven bottom back against the springs and lower into place.
4. Be sure each slot on the side-front corner securely fits over the tabs on the oven wall. This will lock the oven bottom into place and prevent it from rattling during travel.

CARE AND CLEANING CHART

15

CARE AND CLEANING CHART

PARTS	CLEANING AGENTS	DIRECTIONS
Baked enamel <ul style="list-style-type: none"> • Oven door • Side panels 	<ul style="list-style-type: none"> • Soap and water • Mild liquid cleaner • Glass cleaner 	<p>Use a dry towel or cloth to wipe up spills, especially acid (milk, lemon juice, fruit, mustard, tomato sauce) or sugary spills. Surface may discolor or dull if soil is not immediately removed. This is especially important for white surfaces.</p> <p>When surface is cool, wash with warm soapy water, rinse and dry. For stubborn soil, use non-abrasive cleaning agents such as baking soda paste or Bon Ami. If desired, a thin coat of mild appliance wax can be used to protect the side panels. A glass cleaner can be used to add "shine" to the surface.</p> <p>NOTE: Do not use abrasive, caustic or harsh cleaning agents such as steel wool pads or oven cleaners. These products will scratch or permanently damage the surface.</p> <p>NOTE: Never wipe a warm or hot surface with a damp cloth as this may damage the surface and may cause a steam burn.</p>
Broiler pan and insert	<ul style="list-style-type: none"> • Soap and water • Plastic scouring pad • Soap-filled scouring pad • Dishwasher 	<p>Remove from oven after use. Cool then pour off grease. Place soapy cloth over insert and pan; let soak to loosen soil. Wash in warm soapy water. Use soap-filled scouring pad to remove stubborn soil. Clean in dishwasher if desired.</p> <p>NOTE: For easier cleanup, spray insert with a non-stick vegetable coating and line broiler pan with aluminum foil.</p>
Burner box	<ul style="list-style-type: none"> • Soap and water • Paste of baking soda and water • Non-abrasive plastic pad or sponge • Liquid cleaner • Glass cleaner 	<p>Burner box is located under lift-up cooktop. Clean frequently to remove spillovers. If soil is not removed and is allowed to accumulate, it may damage the finish. To clean remove grates and surface burners and clean with soap and water, rinse and dry.</p>
Control knobs	<ul style="list-style-type: none"> • Soap and water 	<p>To remove knobs for cleaning, gently pull forward. Wash in mild detergent and water. Do not soak knobs in water. Do not use abrasive cleaning agents. They will scratch finish and remove markings. Rinse dry and replace. Turn ON each burner to see if knobs have been replaced correctly.</p>
Glass <ul style="list-style-type: none"> • Oven window 	<ul style="list-style-type: none"> • Soap and water • Paste of baking soda and water • Glass cleaner 	<p>Wash with soap and water. Use a glass cleaner and a soft cloth after cleaning. Remove stubborn soil with paste of baking soda and water. Rinse with a cloth wrung out in clear water. Dry. Do not use abrasive materials such as scouring pads, steel wool or powdered cleaning agents.</p> <p>NOTE: To avoid inside staining of oven door glass, do not oversaturate cloth.</p>

(Continued next page)

CARE AND CLEANING CHART

PARTS	CLEANING AGENTS	DIRECTIONS
Grates	<ul style="list-style-type: none"> • Soap and water • Non-abrasive plastic pad 	<p>Grates are made of porcelain-coated steel. They can be cleaned at the sink with soap and water or in the dishwasher. To clean baked on soil, place a damp soapy paper towel over the grate and let stand for 30 minutes. Use a non-abrasive plastic pad to scour stubborn soil.</p> <p>NOTE: Never operate burner without a grate in place. To protect the porcelain finish on the grate from excessive heat, never operate surface burner without a cooking utensil on the grate. It is normal for grates to lose their shine over a period of time.</p>
Metal finishes <ul style="list-style-type: none"> • Trim parts • Manifold panel • Cooktop • Oven door 	<ul style="list-style-type: none"> • Soap and water • Glass cleaner 	<p>Wash with soap and water. Use a glass cleaner and a soft cloth to remove fingermarks or smudges. Do not use oven cleaners, abrasive or caustic agents. They will damage the finish.</p> <p>CAUTION: Protect aluminum gas tubing from exposure to caustic cleaners such as oven cleaners.</p>
Oven bottom		<p>Protect the oven bottom by (1) using large enough cookware to prevent boilovers; (2) place a piece of aluminum foil, that is slightly larger than the cookware, on the lower rack. NEVER place foil directly on the oven bottom as foil may melt onto oven bottom. Protect oven bottom against acid spills (milk, cheese, tomato, lemon juice, etc.) or sugary spills (pie filling) as they may pit or discolor the oven bottom. See porcelain enamel for additional information.</p>
Oven rack	<ul style="list-style-type: none"> • Soap and water • Cleansing powders • Plastic pad • Soap filled scouring pad 	<p>Clean with soapy water. Remove stubborn soil with cleansing powder or soap filled scouring pad. Rinse and dry.</p>
Plastic finishes <ul style="list-style-type: none"> • Door handles • Overlays • Knobs • End caps 	<ul style="list-style-type: none"> • Soap and water • Non-abrasive plastic pad or sponge 	<p>When surface is cool, clean with soap and water; rinse, and dry. Use a glass cleaner and a soft cloth.</p> <p>NOTE: Never use oven cleaners, abrasive or caustic liquid or powdered cleansers on plastic finishes. These cleaning agents will scratch or mar finish.</p> <p>NOTE: To prevent staining or discoloration, wipe up fat, grease or acid (tomato, lemon, vinegar, milk, fruit juice, marinade) immediately with a dry paper towel or cloth.</p>
Porcelain enamel <ul style="list-style-type: none"> • Cooktop • Oven cavity 	<ul style="list-style-type: none"> • Soap and water • Mild abrasive cleaners • Plastic pad • Oven cleaner, oven only • Soap filled scouring pad 	<p>Clean porcelain with soap and water; rinse. Use cleansing powders or a plastic scouring pad to remove stubborn soil. Wipe acid or sugar stains as soon as area is cool as these stains may discolor or etch the porcelain. Do not use metallic scouring pads as they will scratch the porcelain.</p> <p>To make cleaning the oven easier, place 1/2 cup household ammonia in a shallow glass container and leave in a cold oven overnight. The ammonia fumes will help loosen the burned on grease and food. Oven cleaners can be used on the porcelain oven only. Follow manufacturer's directions. If oven cleaner was used, thoroughly rinse oven cavity and capillary tube which is located at the top of the oven.</p>

(Continued next page)

CARE AND CLEANING CHART

17

CARE AND CLEANING CHART

PARTS	CLEANING AGENTS	DIRECTIONS
Silicone rubber • Door gasket	<ul style="list-style-type: none"> • Soap and water 	Wash with soap and water, rinse and dry. Do not remove door gasket.
Stainless steel, select models • Cooktop • Oven door	<ul style="list-style-type: none"> • Soap and water • Glass cleaner • Mildly abrasive cleaner 	<p>DO NOT USE ANY CLEANING PRODUCT CONTAINING CHLORINE BLEACH.</p> <p>ALWAYS WIPE WITH THE GRAIN WHEN CLEANING.</p> <p>Wash with soap and water. Use a glass cleaner and a soft cloth to remove finger marks or smudges. Use cleansing powders or plastic scouring pad to remove moderate/heavy soils. Rinse and dry. Do not use oven cleaners, abrasive or caustic agents. They will damage the finish.</p> <p>NOTE: For discoloration, use a stainless steel cleaner and a soft cloth. Rinse immediately and dry.</p>
Surface burners, sealed select models	<ul style="list-style-type: none"> • Soap and water • Paste of baking soda and water • Plastic scouring sponge or pad • Mildly abrasive cleaner 	<p>For ease of cleaning, clean burners each time the cooktop is used with warm soapy water. If a boilover occurs, remove pan to another burner; cool burner and clean. To remove stubborn soil, use a dry cloth and mildly abrasive cleanser. Use care to prevent cleaner from clogging ports. Burner must be dry before use.</p> <p>NOTE: Yellow tipping or distortion of the flame may occur until the burner is completely dry.</p> <p>Clean burner ports with a straight pin or small metal paper clip. Do not enlarge or distort ports. Do not use a wooden toothpick as it may break off and clog port. If ports are clogged or soiled, the burner may not light properly or the flame may not be even.</p> <p>Sealed burner can not be removed by the consumer. When cleaning burner, use care to prevent damage to the ignitor. Surface burner will not light properly if ignitor is damaged, broken, soiled, or wet. When cleaning the ports, be sure to clean the port directly below the ignitor.</p>
Surface burners, conventional, select models	<ul style="list-style-type: none"> • Soap and water • Paste of baking soda and water • Plastic scouring sponge or pad • Mildly abrasive cleaner 	<p>For ease of cleaning, remove soil from the burner as soon as burner has cooled. If food boils over, remove pan to another burner. Then, cool soiled burner and clean.</p> <p>Clean, when cool, after each use with warm soapy water. Remove stubborn soil by scouring with a non-abrasive plastic scouring pad and a paste of baking soda and water. Clean ports with a straight pin. Do not enlarge or distort the ports. Do not use a wooden toothpick. It may break off and clog port. Surface burners can be dried in the oven set at 170°F. Burner must be dry before use.</p>

CHECK THESE POINTS BEFORE YOU CALL FOR SERVICE

PROBLEM	CAUSE	CORRECTION
Surface burner fails to light.	a. clogged burner port(s). b. surface control not completely turned to the LITE position or turned too quickly from the LITE position. c. burner will not light if the ignitor is damaged, soiled, wet or if the port directly below the ignitor is blocked.	a. clean ports with straight pin. b. turn control to the LITE position until the burner ignites, then turn control to desired flame size. c. clean and dry burner head. If broken or damaged, call a serviceman.
Burner flame is uneven.	a. clogged burner port(s).	a. clean ports with straight pin.
Surface burner flame lifts off port or is yellow in color.	a. air/gas mixture not proper. NOTE: Some yellow tipping with LP gas is normal and acceptable.	a. call serviceman to adjust burner. NOTE: Be sure installer properly adjusted range at time of installation.
Oven burner fails to light.	a. oven incorrectly set. b. oven pilot is not lit.	a. see page 9. b. light pilot. See page 8.
Popping sound heard when burner extinguishes.	This is a normal sound that occurs with some types of gas when a hot burner is turned off. The popping sound is not a safety hazard and will not damage the appliance.	
Moisture condensation on oven window, if equipped, when oven is in use.	a. it is normal for the window to fog during the first few minutes the oven is on. b. cloth saturated with water is used to clean the window.	a. leave door ajar for one or two minutes to allow moisture to escape. b. use a damp cloth to clean window to prevent excess water from seeping between the panels of glass.
Baking results are not satisfactory. <ul style="list-style-type: none"> • browning is too pale, too dark or is uneven. • food cooks unevenly. • food is underdone or overdone. 	a. oven not preheated or set at correct temperature. b. used incorrect rack position. c. incorrect use of aluminum foil. d. oven bottom incorrectly replaced. e. too many pans on rack; pan too large. f. oven thermostat sensing device is out of the holding clip(s).	a. preheat oven 10 to 15 minutes. b. see page 9. c. see page 9. d. replace oven bottom correctly. See page 14. e. see page 9. f. reinstall thermostat sensing device. See Problem Chart on page 10 for additional information.
Oven smokes excessively during a broil operation.	a. temperature too high. b. meat has too much fat. c. sauce applied too early or marinade not completely drained. d. soiled broiler pan. e. broiler insert covered with aluminum foil. f. broiler area or oven is soiled.	a. lower temperature to 400-450°F. b. trim fat. c. apply sauce during last few minutes of cooking. If meat has been marinated, drain thoroughly before cooking. d. always clean broiler pan and insert after each use. e. never cover insert with foil as this prevents fat from draining to pan below. f. clean oven or broiler area.

CHECK THESE POINTS BEFORE YOU CALL FOR SERVICE

PROBLEM	CAUSE	CORRECTION
Oven slow to heat, poor baking results, poor ignition of burner, pilot won't stay lit, popping sound from surface burner, carbon on pilot shield, burner flame too low/high.	a. gas pressure regulator.	a. have gas dealer test regulator.
Oven pilot will not light or stay on	a. pilot tubing. b. gas pressure regulator. c. oven knob.	a. may be clogged, kinked, or leaking at the fitting. b. have gas dealer test regulator. c. be sure knob is in the PILOT ON position and not in the OFF position.
Gas odor	a. possible leak or loose fittings.	a. see boxed statements on front cover. Because of vibrations due to travel, connections on a recreational vehicle may loosen. Therefore, periodically check all connections for leaks. See the installation instructions for proper procedures on leak testing. NEVER use a match or flame to check for leaks.

RV Product Warranty

Warranty

Limited One Year Warranty - Parts and Labor

For **one (1) year** from the original retail purchase date, any part which fails in normal home use will be repaired or replaced free of charge.

Canadian Residents

The above warranties only cover an appliance installed in Canada that has been certified or listed by appropriate test agencies for compliance to a National Standard of Canada unless the appliance was brought into Canada due to transfer of residence from the United States to Canada.

*The specific warranties expressed above are the **ONLY** warranties provided by the manufacturer. These warranties give you specific legal rights, and you may also have other rights which vary from state to state.*

CUSTOMER'S SOLE AND EXCLUSIVE REMEDY UNDER THIS LIMITED WARRANTY SHALL BE PRODUCT REPAIR AS PROVIDED HEREIN. IMPLIED WARRANTIES, INCLUDING WARRANTIES OF MERCHANTABILITY OR FITNESS FOR A PARTICULAR PURPOSE, ARE LIMITED TO ONE YEAR OR THE SHORTEST PERIOD ALLOWED BY LAW. MAYTAG CORPORATION SHALL NOT BE LIABLE FOR INCIDENTAL OR CONSEQUENTIAL DAMAGES. SOME STATES AND PROVINCES DO NOT ALLOW THE EXCLUSION OR LIMITATION OF INCIDENTAL OR CONSEQUENTIAL DAMAGES, OR LIMITATIONS ON THE DURATION OF IMPLIED WARRANTIES OF MERCHANTABILITY OR FITNESS, SO THESE EXCLUSIONS OR LIMITATIONS MAY NOT APPLY TO YOU. THIS WARRANTY GIVES YOU SPECIFIC LEGAL RIGHTS AND YOU MAY ALSO HAVE OTHER RIGHTS, WHICH VARY STATE TO STATE OR PROVINCE TO PROVINCE.

What is Not Covered By These Warranties

1. Conditions and damages resulting from any of the following:
 - a. Improper installation, delivery, or maintenance.
 - b. Any repair, modification, alteration, or adjustment not authorized by the manufacturer or an authorized servicer.
 - c. Misuse, abuse, accidents, or unreasonable use, or acts of God.
 - d. Incorrect electric current, voltage, electrical and/ or gas supply.
 - e. Improper setting of any control.
2. Warranties are void if the original serial numbers have been removed, altered, or cannot be readily determined.
3. Light bulbs, water filters and air filters.
4. Products purchased for commercial or industrial use.
5. The cost of service or service call to:
 - a. Correct installation errors. For products requiring ventilation, rigid metal ducting must be used.
 - b. Instruct the user on the proper use of the product.
 - c. Transport the appliance to and from the servicer.
6. Any food loss due to refrigerator or freezer product failures.
7. Expenses for travel and transportation for product service in remote locations.
8. Outside of the United States and Canada this warranty does not apply. Contact your dealer to determine if another warranty applies.
9. Consequential or incidental damages sustained by any person as a result of any breach of these warranties. Some states do not allow the exclusion or limitation of consequential or incidental damages, so the above exclusion may not apply.

If You Need Service

First see the Troubleshooting section in your Use and Care Guide or call the dealer from whom your appliance was purchased or call Maytag Services, LLC, Customer Assistance at 1-800-688-9900 USA and 1-800-688-2002 Canada to locate an authorized servicer.

- Be sure to retain proof of purchase to verify warranty status. Refer to WARRANTY for further information on owner's responsibilities for warranty service.
- If the dealer or service company cannot resolve the problem, write to Maytag Services, LLC, Attn: CAIR® Center, P.O. Box 2370, Cleveland, TN 37320-2370, or call **1-800-688-9900 USA and 1-800-688-2002 Canada**. U.S. customers using TTY for deaf, hearing impaired or speech impaired, call 1-800-688-2080.
- User's guides, service manuals and parts information are available from Maytag Services, LLC, Customer Assistance.

Notes: When writing or calling about a service problem, please include:

- a. Your name, address and telephone number;
- b. Model number and serial number;
- c. Name and address of your dealer or servicer;
- d. A clear description of the problem you are having;
- e. Proof of purchase (sales receipt).

 **MAYTAG**

Amana

 **Magic Chef**



APPAREIL DE CUISSON POUR VÉHICULE DE PLAISANCE

Guide de l'utilisateur

(Appareil non homologué pour usage marin)

DANS CE GUIDE :

- MESURES DE SÉCURITÉ 3 à 5
- GUIDE DE L'UTILISATEUR 6 à 19
 - Utilisation de la plaque de cuisson
 - Utilisation du four
 - Entretien
 - Nettoyage
 - Dépannage



AVERTISSEMENT

POUR VOTRE SÉCURITÉ S'IL Y A UNE ODEUR DE GAZ :

1. Ouvrez les fenêtres et évacuez tous les occupants du véhicule.
2. Coupez l'alimentation de gaz au niveau de la bonbonne de gaz ou de la source de gaz.
3. Éteignez toute flamme.
4. N'actionnez pas de commutateur et n'utilisez pas le téléphone ou la radio du véhicule.
5. Ne faites pas démarrer le moteur du véhicule ni la génératrice électrique.
6. Appelez immédiatement votre fournisseur de gaz ou un prestataire de service après-vente agréé pour faire faire les réparations nécessaires.
7. N'allumez pas le gaz avant que la ou les fuites n'aient été réparées.

POUR VOTRE SÉCURITÉ

Ne pas entreposer ni utiliser d'essence ou autres liquides ou vapeurs inflammables à proximité de cette cuisinière ou de tout autre appareil ménager.



AVERTISSEMENT

Une mise en service, un réglage, une modification, une réparation ou une opération d'entretien mal exécutés peuvent être à l'origine de blessures et de dégâts. Se référer à ce manuel. Pour tous renseignements complémentaires ou assistance, consulter un installateur qualifié, un prestataire de service après-vente, le fabricant (son revendeur) ou le fournisseur de gaz.

INSTALLATEUR Remettre ce manuel avec l'appareil.

CONSOMMATEUR Pour économiser temps, énergie et argent, lire ce manuel et le conserver pour référence ultérieure.

POUR TOUTE ASSISTANCE, APPELER : 1-800-688-9900 É.-U.

1-800-688-2002 Canada

VOTRE APPAREIL DE CUISSON POUR VÉHICULE DE PLAISANCE

Merci... d'avoir fait l'achat de notre appareil de cuisson. Pour vous aider à en tirer le maximum de satisfaction, nous vous offrons ces suggestions :

- ☞ Lisez ce manuel avant d'utiliser l'appareil.
- ☞ Passez en revue toutes les mesures de sécurité.
- ☞ Étudiez le tableau de dépannage des pages 18 et 19 si l'appareil ne fonctionne pas correctement.
- ☞ Incluez les numéros de modèle et de série de votre appareil lorsque celui-ci doit être réparé.
 - Une preuve d'achat (par exemple le récépissé de vente) doit être fournie pour toute demande de prestations de garantie.

☞ Vous pouvez nous contacter au :

Maytag Appliances Sales Company
Attn: CAIR® Center
P.O. Box 2370
Cleveland, TN 37320-2370,
États-Unis

1-800-688-9900 É.-U.
1-800-688-2002 Canada

Nous cherchons constamment à améliorer la qualité et les performances de nos appareils de cuisson, et il est possible que nous ayons modifié cet appareil sans avoir révisé le manuel.

TABLE DES MATIÈRES

MESURES DE SÉCURITÉ IMPORTANTES	3-5
UTILISATION DE LA SURFACE DE CUISSON ...	6-7
Dispositifs d'allumage	6
Allumage des brûleurs	6
Périodes de non-utilisation	6
Sélection de la hauteur de la flamme	7
Réglage de la hauteur de la flamme	7
Poêles et casseroles appropriées	7
UTILISATION DU FOUR	8-11
Système d'allumage	8
Allumage de la veilleuse	8
Caractéristiques du four	8
Bouton de réglage du four	8
Périodes de non-utilisation	8
Réglage du four	9
Préchauffage	9
Emploi de papier d'aluminium	9
Conseils pour la cuisson de pain et de pâtisseries	9
Problèmes de cuisson communs (tableau)	10
Conseils pour la cuisson de rôtis	11
Conseils pour la cuisson au grill	11
ENTRETIEN	12-14
Surface de cuisson	12
Grilles des brûleurs	12
Brûleurs intégrés de la surface de cuisson	13
Porte du four	14
Grille du four	14
Fond du four	14
TABLEAU DE NETTOYAGE	15-17
DÉPANNAGE	18-19
Avant d'appeler le service de dépannage (tableau)	

MESURES DE SÉCURITÉ IMPORTANTES

3

Lire la totalité des mesures de sécurité avant d'utiliser cet appareil de cuisson.

Les conseils ci-dessous sont basés sur des considérations de sécurité et doivent être suivis rigoureusement pour éviter toute possibilité d'incendie, d'électrocution ou de blessure.

Veiller à ce que votre appareil soit correctement installé et mis à la terre par un technicien qualifié et conformément aux instructions fournies. Demander à l'installateur de vous indiquer où se trouve le robinet d'arrêt du gaz et comment le fermer en cas d'urgence.

Toujours débrancher l'appareil de cuisson ou le couper du secteur avant toute réparation.

Afin d'assurer le bon fonctionnement de votre appareil de cuisson et d'éviter de vous blesser ou de l'abîmer, ne pas essayer de réparer ou remplacer aucun des composants de votre appareil de cuisson à moins que cela ne soit spécifiquement recommandé dans ce manuel. Toute autre réparation doit être effectuée par un technicien qualifié.

POUR ÉVITER TOUS DOMMAGES DÛS AUX INCENDIES OU À LA FUMÉE

Veiller à retirer tous matériaux d'emballage de l'appareil de cuisson avant de l'utiliser.

Ne pas placer de matériaux combustibles, d'essence ou de matériaux ou vapeurs inflammables à proximité de l'appareil de cuisson.

Si l'appareil de cuisson est placé près d'une fenêtre, prendre les précautions nécessaires pour que des rideaux ne puissent pas voler au-dessus des brûleurs.

Ne pas laisser d'articles sur la surface de cuisson. L'air chaud provenant du conduit d'aération peut faire s'enflammer les articles inflammables et augmenter la pression dans les contenants fermés, qui peuvent éclater.

De nombreuses canettes d'aérosols peuvent EXPLOSER si elles sont exposées à la chaleur et peuvent également être extrêmement inflammables. Éviter de les utiliser ou de les ranger à proximité d'un appareil de cuisson.

Beaucoup d'articles en plastique ne supportent pas la chaleur. Ne pas laisser d'articles en plastique sur la surface de cuisson car ils peuvent fondre ou se déformer s'ils sont trop proches du conduit d'aération ou de brûleurs allumés.

Pour éviter tout risque d'accident en essayant d'atteindre un objet placé au-dessus de brûleurs brûlants, éviter d'avoir des armoires directement au-dessus de l'appareil de cuisson. S'il y a un élément de rangement au-dessus de l'appareil, n'y ranger que des objets utilisés rarement et qui ne risquent pas d'être affectés par la chaleur dégagée. La température risque d'y être trop élevée pour certains produits tels que les liquides volatiles, les produits de nettoyage ou les aérosols.

EN CAS D'INCENDIE

Éteindre l'appareil et la hotte aspirante pour éviter de propager l'incendie. Éteindre celui-ci, puis remettre la hotte en marche pour éliminer la fumée et les odeurs.

Utiliser un extincteur à poudre chimique ou à neige carbonique ou encore du bicarbonate de soude pour étouffer les flammes. Ne jamais utiliser d'eau pour éteindre de la graisse enflammée.

Si un incendie se déclare dans le four, fermer la porte pour l'étouffer.

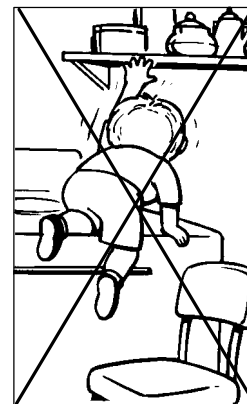
Si le contenu d'une casserole s'enflamme sur la surface de cuisson, couvrir la casserole. Ne jamais essayer de saisir ou de déplacer une casserole dont le contenu s'est enflammé.

MESURES DE SÉCURITÉ—ENFANTS

Ne pas laisser les enfants seuls ou sans surveillance dans une pièce où l'appareil de cuisson est en usage ou encore chaud. Ne jamais laisser d'enfants monter ou s'asseoir sur un point quelconque de l'appareil de cuisson.

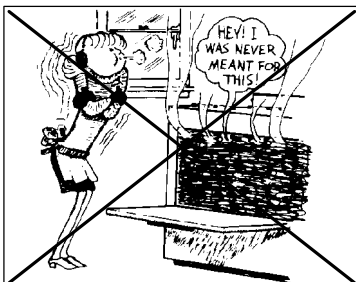
Il est indispensable d'apprendre aux enfants qu'un appareil de cuisson ou les récipients placés à l'intérieur peuvent être brûlants. Laisser plats et casseroles refroidir hors de portée des enfants. Il est important d'enseigner aux enfants qu'un appareil de cuisson n'est pas un jouet. Ne pas les laisser s'amuser avec les commandes ou toute autre partie de l'appareil.

ATTENTION : Ne jamais entreposer d'objets que pourraient vouloir attraper les enfants sur le dossier ou dans les armoires se trouvant au-dessus de l'appareil de cuisson. Un enfant qui, pour les atteindre, grimpe sur l'appareil peut se blesser grièvement.



VOTRE APPAREIL DE CUISSON

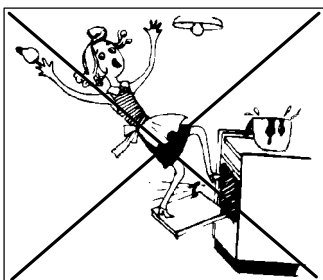
Pour éviter tout risque de blessure et empêcher que l'appareil de cuisson ne se trouve endommagé, ne pas l'utiliser comme appareil de chauffage. Par ailleurs, ne pas utiliser le four ni la surface de cuisson pour y ranger de la nourriture ou des plats ou casseroles.



Ne pas bloquer l'écoulement de l'air servant à la combustion ou à la ventilation de l'appareil de cuisson en obstruant les conduits d'aération ou les prises d'air. Si l'apport d'air aux brûleurs est réduit, ceux-ci ne fonctionnent pas correctement et produisent davantage d'oxyde de carbone, qui peut atteindre une concentration dangereuse.

Éviter de toucher le pourtour des conduits d'aération quand le four est allumé et pendant plusieurs minutes une fois qu'il est éteint. Certaines parties des conduits d'aération et de leur pourtour deviennent suffisamment chaudes pour brûler. Une fois le four éteint, ne pas toucher le conduit d'aération ni son pourtour jusqu'à ce qu'ils aient eu le temps de refroidir.

ATTENTION : Ne pas utiliser l'appareil de cuisson comme un escabeau d'accès aux armoires. L'utilisation des portes ou des tiroirs pour un usage auquel ils ne sont pas adaptés, par exemple en montant, en s'appuyant ou en s'asseyant dessus, peut dans certains cas faire culbuter l'appareil de cuisson, casser la porte ou causer des blessures graves.



Ne pas toucher une ampoule de four brûlante avec un linge humide car l'ampoule pourrait se briser. Si l'ampoule se brise, débrancher l'appareil de cuisson avant d'enlever l'ampoule pour éviter toute électrocution.

ATTENTION LORS DE L'UTILISATION D'ALIMENTS PRÊTS À CONSOMMER

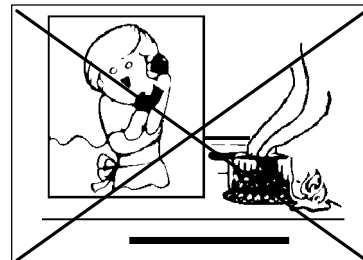
Suivre les instructions du fabricant. Si un récipient d'aliments congelés en plastique et/ou son couvercle se tordent, perdent leur forme ou sont abîmés en cours de cuisson, jeter immédiatement le récipient et son contenu. La nourriture pourrait être contaminée.

MESURES DE SÉCURITÉ — CUISSON

Toujours mettre une casserole sur un brûleur avant d'allumer celui-ci et l'éteindre avant d'enlever la casserole pour éviter l'exposition à la flamme du brûleur. Toujours vérifier que le brûleur désiré est mis en marche et qu'il est bien allumé. Une fois la cuisson terminée, éteindre le brûleur avant de retirer la casserole afin d'éviter toute exposition à la flamme.

Toujours régler la flamme des brûleurs de la surface de cuisson de façon à ce que les flammes ne dépassent pas le fond du récipient utilisé. Une flamme trop importante crée un risque, représente un gaspillage d'énergie et peut abîmer l'appareil de cuisson, la casserole ou les armoires qui se trouvent au-dessus de l'appareil de cuisson.

Ne jamais laisser une cuisson à la surface de l'appareil de cuisson sans surveillance lorsqu'une température élevée est utilisée ou pendant la cuisson à la friture. Les aliments qui débordent dégagent de la fumée et le liquide qui déborde peut être gras et s'enflammer. Nettoyer tout liquide gras qui a débordé aussi rapidement que possible. Ne pas utiliser le réglage à pleine puissance sur une durée prolongée.



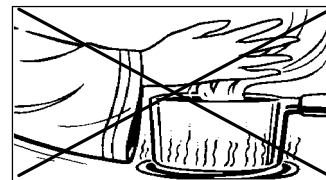
Ne jamais faire chauffer de récipient fermé, sur la surface de cuisson ou dans le four. La pression accumulée peut le faire éclater, avec les risques de blessure ou de dégâts que cela entraîne.

Utiliser des poignées protectrices sèches et solides. Les poignées humides peuvent causer des brûlures par la vapeur. Ne jamais utiliser de torchon à vaisselle ou autre linge car ils peuvent entrer en contact avec la surface brûlante des brûleurs de la surface de cuisson et s'enflammer ou encore se trouver accrochés sur des éléments de l'appareil de cuisson.

Toujours laisser la friture refroidir avant d'y toucher ou de la déplacer.

Ne pas laisser de la graisse de cuisson ou tout autre matériau inflammable s'accumuler sur l'appareil, la hotte aspirante ou le ventilateur ni à proximité. Nettoyer la hotte fréquemment pour empêcher la graisse de s'accumuler sur la hotte elle-même ou sur le filtre. Avant de faire flamber des aliments sous la hotte, allumer le ventilateur.

Faire attention avec les vêtements en matériaux inflammables car ils pourraient prendre feu. Ne jamais porter de vêtements amples ou à manches pendantes pendant l'utilisation de l'appareil de cuisson. Ils peuvent prendre feu ou s'accrocher sur la queue d'une casserole.



Toujours placer les grilles du four à la hauteur désirée pendant que le four est froid. Pour ajouter ou retirer de la nourriture, sortir la grille du four en utilisant des poignées sèches et solides. Toujours éviter de mettre les mains dans le four pour y placer ou enlever de la nourriture. Si une grille doit être déplacée une fois le four allumé, veiller à éviter le contact de la poignée protectrice avec les flammes du brûleur.

Faire attention en ouvrant la porte du four. Laisser la vapeur ou l'air chaud s'échapper avant d'enlever ou de remettre de la nourriture.

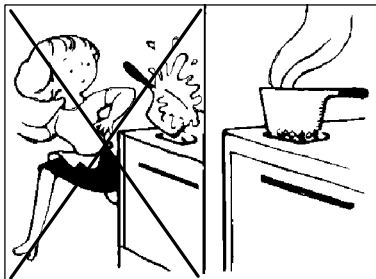
MESURES DE SÉCURITÉ — RÉCIPIENTS

Utiliser des récipients à fond plat dont les poignées sont faciles à prendre en main et restent froides au toucher. Éviter d'utiliser des casseroles instables, cabossées, faciles à renverser ou dont la poignée ne tient pas bien. Les casseroles qui sont très lourdes une fois pleines peuvent également présenter des risques.

Veiller à utiliser un récipient assez grand pour la quantité de nourriture à cuire afin d'éviter que le contenu ne déborde. La grandeur du récipient est particulièrement importante pour la friture. Veiller à ce qu'il soit suffisamment grand pour le volume de la nourriture à cuire et pour le bouillonnement de la friture.

Pour réduire les risques de brûlures, de combustion de matériaux inflammables ou d'éclaboussures dûs au contact accidentel avec le récipient, la queue de celui-ci ne doit pas être placée au-dessus des brûleurs voisins.

Toujours tourner les queues de casseroles vers l'intérieur ou vers l'arrière de l'appareil de cuisson et non pas vers la pièce où les enfants peuvent s'y cogner ou les attraper.



Ne jamais laisser le contenu d'une casserole bouillir jusqu'à ce qu'elle soit vide car la casserole et l'appareil de cuisson pourraient se trouver endommagés.

Toujours suivre le mode d'emploi du fabricant lors de l'utilisation d'un sac à rôtir.

Seuls certains types de récipients en verre, vitrocéramique, céramique, terre cuite ou vernissés peuvent être utilisés sans se briser suite à un changement brusque de température, que ce soit sur une surface de cuisson ou au four.

La sécurité de fonctionnement de cet appareil de cuisson a été vérifiée avec des récipients traditionnels. Ne pas utiliser de dispositifs ou accessoires qui ne sont pas spécifiquement recommandés dans ce manuel. Ne pas utiliser de couvre-brûleurs, de grils pour surface de cuisson ni de dispositifs accessoires pour les fours à chaleur tournante. L'utilisation de dispositifs ou accessoires qui ne sont pas expressément recommandés dans ce manuel peut créer des risques sérieux, donner des résultats médiocres et réduire la durabilité des composants de l'appareil de cuisson.

MESURES DE SÉCURITÉ — NETTOYAGE

Éteindre l'appareil de cuisson et attendre que tous les composants aient refroidi avant de les toucher ou de les nettoyer. Ne pas toucher les grilles des brûleurs ni leur pourtour avant qu'elles aient eu le temps de refroidir suffisamment.

Faire preuve de prudence lors du nettoyage de l'appareil de cuisson. Si une éponge ou un linge humide sont utilisés pour essuyer du liquide qui a débordé, faire attention à éviter les brûlures par la vapeur. Par ailleurs, certains produits de nettoyage produisent des vapeurs nocives s'ils sont appliqués sur une surface brûlante.

NOTICE DE SÉCURITÉ ET AVERTISSEMENT IMPORTANTS

La loi californienne sur l'eau potable et les substances toxiques de 1986 (Proposition 65) exige que le gouverneur de Californie publie une liste des substances reconnues par l'état de la Californie comme étant cancérigènes ou affectant la reproduction et requiert que les entreprises mettent leurs clients en garde contre l'exposition potentielle à de telles substances.

Les utilisateurs de cet appareil de cuisson sont par la présente prévenus que la combustion du gaz peut exposer à des niveaux peu élevés de substances nomenclaturées, dont le benzène, le formol et la suie, principalement en raison de la combustion incomplète du gaz naturel ou du gaz de pétrole liquéfié (GPL). Des brûleurs bien ajustés réduisent au minimum la possibilité de combustion incomplète. L'exposition à ces substances peut également être réduite en assurant la ventilation appropriée des brûleurs vers l'extérieur.

A VIS IMPORTANT - OISEAUX FAMILIERS: . . .

Les oiseaux ont un système respiratoire très sensible. Ne pas garder un oiseau familier dans la cuisine ou dans une pièce où il pourrait être exposé aux fumées. Les fumées émises durant une opération d'autonettoyage peuvent être dangereuses ou mortelles pour un oiseau, de même que les fumées émises lors du chauffage excessif de graisse, huile, margarine, par exemple dans un ustensile à garnissage anti-adhésion.

CONSERVER CES INSTRUCTIONS

DISPOSITIFS D'ALLUMAGE

Votre appareil de cuisson est dotée d'un système d'allumage avec **veilleuse** ou avec **allumeur piézoélectrique**. Veiller à ce que tous les boutons soient en position fermée (OFF) avant d'ouvrir l'alimentation en gaz. S'assurer que l'alimentation en gaz est ouverte avant d'allumer un brûleur.

ALLUMAGE DES BRÛLEURS

Afin d'empêcher que la surface de cuisson ou la casserole ne se trouve endommagée :

- Ne jamais allumer un brûleur sans avoir mis une casserole dessus.
- Ne jamais laisser le contenu d'une casserole bouillir jusqu'à ce qu'elle soit vide.
- Ne jamais laisser le réglage sur HIGH (plein feu) de façon prolongée.

ATTENTION : Si le brûleur ne s'allume pas dans les 4 secondes ou si la flamme s'éteint en cours de cuisson, éteindre le brûleur. Si du gaz s'est accumulé ou qu'il y a une forte odeur de gaz, ouvrir une fenêtre et attendre pendant 5 minutes que l'odeur disparaisse avant d'allumer à nouveau le brûleur.

Si l'appareil n'a pas été utilisé depuis un certain temps, les brûleurs peuvent être difficiles à allumer en raison de la présence d'air dans la conduite de gaz.

Pour éliminer l'air de la conduite de gaz :

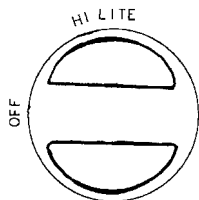
1. Tenir une allumette enflammée contre le brûleur.
2. Mettre le bouton de réglage sur LITE (allumer).
3. Une fois que le brûleur s'allume, remettre le bouton sur la position OFF (éteint).
4. Procéder tel qu'indiqué ci-dessous.

Allumage des brûleurs à l'aide d'une allumette :

1. Mettre une casserole sur la grille du brûleur.
2. Tenir une allumette enflammée contre le brûleur voulu.

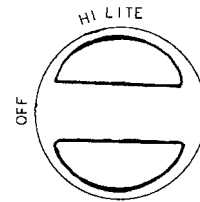
ATTENTION : Ne pas ouvrir le bouton de réglage et laisser sortir le gaz avant d'avoir allumé l'allumette.

3. Pousser sur le bouton de réglage du brûleur et le tourner sur la position LITE (allumer).
4. Une fois le brûleur allumé, régler le bouton de réglage du gaz entre HI (plein feu) et LOW (feu doux) pour sélectionner la hauteur de flamme désirée.
5. Une fois la cuisson terminée, mettre le bouton de réglage sur OFF (arrêt).



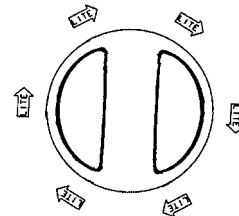
Allumage des brûleurs avec l'allumeur piézoélectrique :

1. Mettre une casserole sur la grille du brûleur.
2. Pousser sur le bouton de réglage du brûleur et le tourner sur la position LITE (allumer).



IMPORTANT : Allumer un seul brûleur à la fois.

3. Tourner immédiatement le BOUTON SUPÉRIEUR D'ALLUMAGE vers la droite (sens horaire) sur plusieurs « clics », jusqu'à ce que le brûleur s'allume. Celui-ci doit s'allumer avec 6 « clics », soit un tour complet du bouton d'allumage.



4. Une fois le brûleur allumé, régler le bouton de réglage du gaz entre HI (plein feu) et LOW (feu doux) pour sélectionner la hauteur de flamme désirée.
5. Une fois la cuisson terminée, mettre le bouton de réglage sur OFF (arrêt).

Allumage des brûleurs lorsque l'allumeur piézoélectrique ne fonctionne pas :

1. S'assurer que tous les boutons de réglage sont sur OFF (arrêt).
2. Tenir une allumette enflammée contre le brûleur désiré.

ATTENTION : Ne pas ouvrir le bouton de réglage et laisser sortir le gaz avant d'avoir allumé l'allumette.

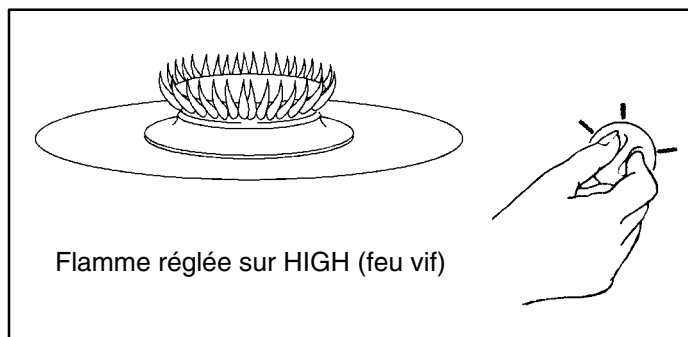
3. Pousser sur le bouton de réglage du brûleur et le tourner sur la position LITE (allumer).
4. Une fois le brûleur allumé, régler le bouton de réglage du gaz entre HI (plein feu) et LOW (feu doux) pour sélectionner la hauteur de flamme désirée.
5. Une fois la cuisson terminée, mettre le bouton de réglage sur OFF (arrêt).

PÉRIODES DE NON-UTILISATION

Lorsque le véhicule de plaisance n'est pas utilisé et sur la route, mettre tous les boutons de réglage sur la position OFF (arrêt) et couper l'alimentation en gaz.

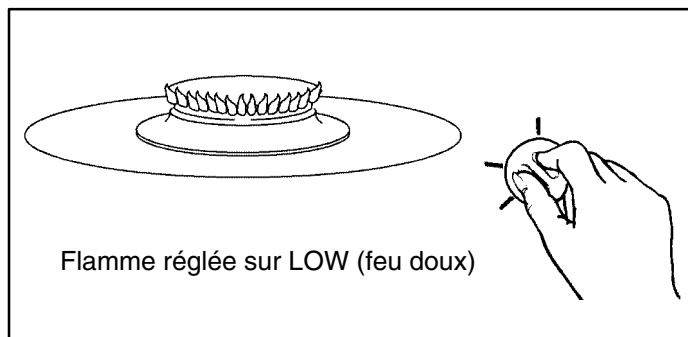
SÉLECTION DE LA HAUTEUR DE LA FLAMME

Mettre le réglage sur HIGH (feu vif) pour amener rapidement les liquides à ébullition et pour commencer la cuisson. Réduire ensuite le feu pour continuer la cuisson. **Ne jamais laisser un récipient sans surveillance lorsqu'il est chauffé à FEU VIF.**



Chauffer à feu moyen pour continuer la cuisson. **Les aliments ne cuisent pas plus vite à feu vif que si on les fait mijoter à feu doux.** Il ne faut pas oublier que la température d'ébullition de l'eau est la même, qu'elle bouille à gros bouillons ou qu'elle frémit.

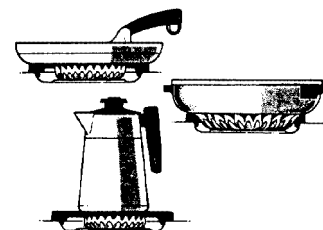
Mettre le réglage sur LOW (feu doux) pour faire mijoter un plat ou pour garder la nourriture à bonne température.



Si le bouton de commande est passé rapidement de HI sur LOW, le brûleur peut s'éteindre, surtout s'il est froid. Si cela se produit, mettre le bouton de commande sur OFF (arrêt), attendre plusieurs secondes, puis réallumer le brûleur.

RÉGLAGE DE LA HAUTEUR DE LA FLAMME

Régler la hauteur de la flamme de façon à ce qu'elle ne dépasse pas le fond du récipient, ceci pour des raisons de sécurité personnelle et pour empêcher que l'appareil de cuisson, la casserole ou les armoires qui se trouvent au-dessus de l'appareil de cuisson ne se trouvent abîmées. Ceci améliore également la consommation d'énergie.



POÊLES ET CASSEROLES APPROPRIÉES

Les récipients, y compris les récipients utilisés pour la préparation de conserves, qui dépassent de plus de 2,5 cm (1 po) de la grille, qui reposent sur la surface de cuisson ou qui occupent deux brûleurs peuvent retenir la chaleur et endommager la grille du brûleur, le brûleur et la surface de cuisson.

ATTENTION : La taille de récipient maximum correspond à une poêle de 25,4 cm (10 po).

Pour éviter d'abîmer la surface de cuisson, ne pas utiliser de marmite à conserves ni de très grands récipients. Le récipient ne doit pas dépasser de plus de 2,5 cm (1 po) de la grille.

Les récipients comme les woks, qui reposent sur un anneau métallique qui réduit la circulation de l'air autour du brûleur, retiennent la chaleur et peuvent endommager la grille du brûleur, le brûleur ou la surface de cuisson.

La nourriture cuit plus vite quand le récipient est couvert car celui-ci retient davantage de chaleur. Baisser le feu sous un récipient couvert. Ceci améliore également la consommation d'énergie.

L'efficacité de la cuisson dépend pour une très grande part du type de récipient utilisé. Un récipient approprié réduit le temps de cuisson et la consommation d'énergie et produit une cuisson plus uniforme. Pour des résultats optimaux, utiliser des récipients non évasés en métal épais à fond plat et lisse et dotés d'un couvercle bien ajusté. Sélectionner un matériau qui conduise la chaleur rapidement et uniformément, tel que l'aluminium ou le cuivre.

SISTEMA DE ENCENDIDO

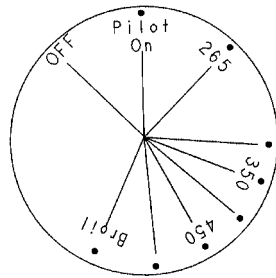
El horno se enciende mediante un piloto. Asegúrese de que todas las perillas de control estén en la posición "OFF" (Apagado) antes de suministrar gas a la estufa. Asegúrese de que el suministro de gas a la estufa esté abierto antes de encender el piloto o el quemador del horno.

COMO ENCENDER EL PILOTO DEL HORNO

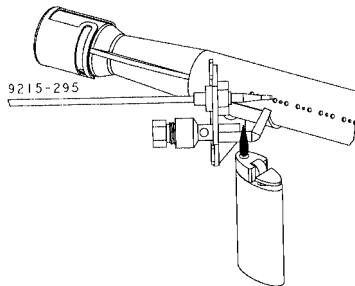
Si no se ha usado el electrodoméstico durante algún tiempo, podría ser difícil encender el piloto del horno debido al aire en la tubería de gas. Para purgar el aire de la tubería, siga las instrucciones de la página 6 bajo la sección "CÓMO ENCENDER EL QUEMADOR DE LA SUPERFICIE" en donde se detalla específicamente cómo hacerlo.

Encendido del piloto del horno:

1. Asegúrese de que todas las perillas de control estén en la posición "OFF" (Apagado).
2. Oprima y gire la perilla "OVEN" (Horno) a la posición "PILOT ON" (Piloto Encendido).



3. Abra la puerta del horno y localice el piloto del horno (debajo del fondo del horno, en el lado izquierdo del quemador). **Mientras oprime la perilla**, sostenga un fósforo junto al piloto (vea la ilustración) durante



10-15 segundos o hasta que se vea una pequeña llama sin necesidad de continuar oprimiendo la perilla.

NOTA: Una demora en el tiempo que se tarda en encender el piloto podría significar que necesita purgar el aire de la tubería. Consulte el párrafo anterior "CÓMO ENCENDER EL QUEMADOR" para obtener instrucciones detalladas.

4. Una vez que el piloto esté encendido, deje la perilla "OVEN" (Horno) en la posición "PILOT ON" (Piloto Encendido) si es que va a usar el horno.

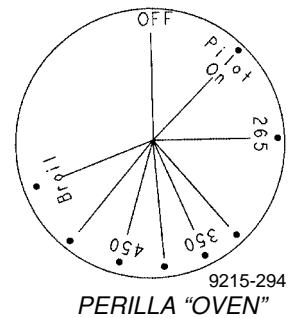
El piloto permanente permanecerá encendido si la perilla "OVEN" (Horno) se deja en la posición "PILOT ON" (Piloto Encendido). Si la perilla "OVEN" (Horno) se gira a la posición "OFF" (Apagado), se apagará el suministro de gas al piloto y la luz piloto permanente se extinguirá.

CARACTERISTICAS DEL HORNO

Debido a que cada horno tiene sus propias características de horneado, no espere que su nuevo horno produzca los mismos resultados que su horno antiguo. Encontrará que los tiempos de cocción, las temperaturas del horno y los resultados de la cocción son algo diferentes de los de su horno antiguo. Deje que pase un período de ajuste. Si tiene preguntas respecto a los resultados del horneado, por favor consulte las páginas 9, 10 y 11 para obtener información adicional.

PERILLA "OVEN"

La perilla "OVEN" (Horno) se usa para seleccionar y mantener la temperatura del horno. Oprima y gire esta perilla y colóquela justo en la temperatura deseada - no primero a una temperatura más alta y después de vuelta a la temperatura deseada. Esto proporcionará temperaturas más exactas del horno.



Gire esta perilla a la posición "PILOT ON" (Piloto Encendido) si desea usar el horno. La luz piloto permanente permanecerá encendida. Gire la perilla a la posición "OFF" (Apagado) si no se va a usar el horno o cuando esté viajando.

INSTRUCCIONES PARA EL CIERRE

Cuando el vehículo recreacional no esté en uso o durante los viajes, gire todas la perilla "OVEN" (Horno) a la posición "OFF" (Apagado) y cierre el suministro de gas principal. Esto apagará el piloto del horno.

RÉGLAGE DU FOUR

1. Pendant que le four est froid, placer la grille à la hauteur voulue.
2. Pousser sur le bouton du four et le régler sur la température désirée pour une cuisson au four ou sur BR pour une cuisson au gril.

Pour la cuisson au four : La sélection d'une température plus élevée ne fait PAS chauffer le four plus rapidement et peut avoir des conséquences négatives dans la cuisson de pain et gâteaux.

Pour la cuisson au gril : Le bouton du four peut être réglé sur une température plus faible (204 à 232° C / 400 à 450° F) pour griller des viandes qui doivent cuire plus longtemps ou de la volaille ou encore si la nourriture fume excessivement ou « saute » et produit des éclaboussures.

3. Pour la cuisson au four : Mettre le plat au centre du four en laissant un espace de 3 à 5 cm (1 à 2 po) entre celui-ci et les parois du four.

Pour la cuisson au gril : Mettre la lèchefrite dans la zone de cuisson au gril, directement sous le brûleur du four.

Lorsque le four est en cours d'utilisation, la surface à proximité du conduit du four peut être chaude ou brûlante. Ne pas bloquer l'écoulement d'air à ce niveau ni l'ouverture du conduit car cela pourrait nuire à la cuisson.

4. Vérifier la cuisson au bout de la période de temps minimum indiquée dans la recette. Cuire davantage si nécessaire.
5. Enlever la nourriture du four et mettre le bouton du four sur PILOT ON (veilleuse allumée) ou sur OFF.

PRÉCHAUFFAGE

Il est nécessaire de préchauffer le four pour des résultats optimaux dans la cuisson de pain ou de pâtisseries. Mettre le bouton de réglage du four sur la température désirée et laisser chauffer le four pendant 10 à 15 minutes.

La sélection d'une température supérieure à la température désirée ne préchauffe pas plus rapidement le four et peut nuire aux résultats dans la cuisson de pain ou de pâtisseries. Il n'est pas nécessaire de préchauffer le four pour les rôtis.

EMPLOI DE PAPIER D'ALUMINIUM

Ne pas couvrir le fond du four ni la totalité de la grille de papier d'aluminium.

CONSEILS POUR LA CUISSON DE PAIN ET DE PÂTISSERIES

Utiliser une recette éprouvée, utiliser des ingrédients frais et les mesurer avec précision. **Suivre la recette à la lettre** en ce qui concerne la température du four et le temps de cuisson. Préchauffer le four si la recette le recommande.

Mettre la grille à la hauteur voulue. Il y a deux ou trois positions d'armoire, selon le modèle. Le four peut ne pas donner de bons résultats si la grille n'est pas à la hauteur appropriée.

- Placer la grille au niveau le plus bas pour la plupart des gâteaux et des pâtisseries. Dans le cas d'une tôle à biscuits, mettre la grille au niveau le plus élevé.
- Le dessus du pain, du gâteau ou du plat peut être plus brun si celui-ci est dans la partie supérieure du four.
- Le dessous du pain, du gâteau ou du plat peut être plus brun si celui-ci est dans la partie inférieure du four.

Matériau de fabrication et grandeur du récipient. Toujours utiliser le type et la grandeur de moule recommandés dans la recette. Si le moule n'est pas de la grandeur voulue, les temps de cuisson et les résultats pourraient ne pas être les mêmes.

La grandeur de plat maximum recommandée est la suivante : 33 x 22,8 x 5 cm (13 x 9 x 2 po) dans le cas d'un plat, 35,6 x 25,4 x 5,1 cm (14 x 10 x 2 po) dans le cas d'une tôle à biscuits.

- **Les récipients en métal** brillant reflètent la chaleur, donnant des résultats moins dorés et moins croustillants. Utiliser des moules ou tôles brillants pour les gâteaux et les biscuits. Pour des résultats optimaux, cuire biscuits et gâteaux secs sur une tôle **plate**. Si le plat a des rebords, comme c'est le cas pour un moule à gâteau roulé, ils pourraient ne pas être dorés uniformément.
- **Les récipients en métal foncé** ou à **fond anodisé (terne)** absorbent la chaleur, donnant des résultats plus dorés et plus croustillants. Utiliser ce type de moule pour les tartes, les fonds de tarte ou le pain.
- Si du **verre allant au four** ou **des moules à fond foncé tels que les articles Baker's Secret ou Wilton sont utilisés**, réduire la température du four de 14° C (25° F), sauf pour la cuisson de tartes ou de pain. Utiliser le temps de cuisson recommandé dans la recette.

Faire en sorte que l'air circule librement dans le four pour des résultats optimaux dans la cuisson de pains et de pâtisseries. Si les moules sont trop grands ou ne sont pas placés correctement, la circulation de l'air est bloquée, ce qui peut entraîner un manque d'uniformité dans le brunissage. Pour des résultats optimaux au niveau de la cuisson et du degré de brunissage :

- Ne pas mettre trop de moules sur la grille. Ne pas bloquer l'écoulement de l'air en utilisant un trop grand plat.
- Toujours laisser 2,5 à 5 cm (1 à 2 po) entre le plat et les parois du four.

Vérifier la cuisson une fois le temps de cuisson minimum recommandé dans la recette écoulé. Si nécessaire, continuer à vérifier à intervalles réguliers jusqu'à ce que le pain ou le gâteau soit cuit. Si la porte du four est trop fréquemment ouverte, la chaleur s'échappe, ce qui peut affecter les résultats et augmenter la consommation d'énergie.

PROBLÈMES DANS LA CUISSON DE PAIN ET PÂTISSERIES ET LEURS CAUSES

PROBLÈME	CAUSE
<i>Gâteau irrégulier</i>	<ul style="list-style-type: none"> • Les plats se touchent ou touchent les parois du four • Pâte mal répartie dans le moule • Four pas assez chaud ou temps de cuisson trop court • Appareil de cuisson non de niveau • Pâte insuffisamment mélangée • Trop de liquide
<i>Gâteau très élevé au centre</i>	<ul style="list-style-type: none"> • Four trop chaud • Temps de cuisson trop long • Pâte trop bien mélangée • Trop de farine • Les plats se touchent ou touchent les parois du four • Grille à une hauteur non appropriée
<i>Le gâteau s'effondre</i>	<ul style="list-style-type: none"> • Trop de matière grasse ou de sucre • Trop ou trop peu de liquide • Four pas assez chaud • Levure chimique éventée ou en quantité insuffisante • Moule trop petit • Four fréquemment ouvert • Ajout d'huile inapproprié dans la préparation pour gâteau • Ajout d'ingrédients supplémentaires dans la préparation pour gâteau
<i>Gâteaux, gâteaux secs et biscuits ne brunissent pas uniformément</i>	<ul style="list-style-type: none"> • Grille à une hauteur non appropriée • Porte du four mal fermée • Joint de la porte ne fermant pas hermétiquement ou mal fixé sur la porte • Mauvais usage du papier d'aluminium • Four non préchauffé • Plats en verre, foncés ou gondolés
<i>Le fond des gâteaux ou biscuits est trop brun</i>	<ul style="list-style-type: none"> • Four non préchauffé • Les plats se touchent ou touchent les parois du four • Grille à une hauteur non appropriée • Mauvais usage du papier d'aluminium • Placement de deux tôles à biscuits sur la même grille • Utilisation de plats en verre, foncés, tachés, cabossés ou en métal à fini terne (utiliser une tôle à biscuits brillante) <p>Utiliser les températures recommandées par le fabricant du plat. Les articles en verre ou de couleur foncée comme les plats Baker's Secret d'Ecko exigent l'abaissement de la température de 14° C (25° F)</p>
<i>Le dessus des gâteaux ne dore pas</i>	<ul style="list-style-type: none"> • Grille à une hauteur non appropriée • Four pas assez chaud • Pâte trop bien mélangée • Trop de liquide • Moule de grandeur incorrecte ou insuffisamment rempli • Four trop fréquemment ouvert
<i>Diminution excessive du gâteau</i>	<ul style="list-style-type: none"> • Pas assez de levure • Pâte trop bien mélangée • Moule trop grand • Four trop chaud • Temps de cuisson trop long • Plats trop proches les uns des autres ou touchant les parois du four
<i>Texture irrégulière</i>	<ul style="list-style-type: none"> • Trop de liquide • Pâte insuffisamment mélangée • Four pas assez chaud • Temps de cuisson insuffisant
<i>Grands trous dans le gâteau</i>	<ul style="list-style-type: none"> • Matière grasse insuffisante • Trop de levure chimique • Pâte trop bien mélangée ou mélangée à une vitesse trop élevée • Four trop chaud
<i>Gâteau pas assez cuit au centre</i>	<ul style="list-style-type: none"> • Four trop chaud • Moule trop petit • Temps de cuisson trop court <p>Si des ingrédients additionnels sont ajoutés à la préparation pour gâteaux ou à la recette, prévoir une cuisson plus longue.</p>
<i>Bords de tarte trop bruns</i>	<ul style="list-style-type: none"> • Four trop chaud • Les plats se touchent ou touchent les parois du four • Fond de tarte à bords trop fins ; protéger avec du papier d'aluminium
<i>Tartes ou gâteaux non dorés au fond</i>	<ul style="list-style-type: none"> • Utilisation de plats métalliques brillants • Four pas assez chaud • Grille à une hauteur non appropriée
<i>Fond de tarte saturé de liquide</i>	<ul style="list-style-type: none"> • Four pas assez chaud au départ • Garniture trop juteuse • Utilisation de plats métalliques brillants

CONSEILS POUR LA CUISSON DE RÔTIS

- Cette méthode convient pour la cuisson de morceaux de viande tendres d'une certaine grosseur qui ne sont pas couverts et auxquels aucun liquide n'est ajouté. La plupart des viandes se rôtissent à 163° C (325° F) et il n'est pas nécessaire de préchauffer le four.
- Utiliser des morceaux de viande tendres pesant 1,350 kg (3 lb) ou plus. Les morceaux convenant particulièrement bien à cette méthode de cuisson sont, entre autres, les côtes, le faux-filet, l'intérieur de ronde, les rôtis de qualité dans la croupe et la pointe de surlonge, la cuisse et la longe de porc, le cuisseau de veau, le gigot d'agneau, l'épaule, le jambon et le jambon fumé.
- Assaisonner la viande, si on le désire, avant ou après rôtissage. En cas d'assaisonnement avant la cuisson, faire pénétrer les condiments en frottant.
- Mettre la viande sur une grille dans un plat de cuisson peu profond, partie grasse sur le dessus. Le fait de placer la viande sur une grille évite qu'elle trempe dans son jus, permettant une meilleure circulation de la chaleur et ainsi une cuisson plus uniforme. Avec la partie grasse sur le dessus, la viande est automatiquement arrosée au fur et à mesure que la graisse fond, éliminant ainsi la nécessité d'arroser avec un liquide.
- Le temps de cuisson est en fonction du poids de la viande et du degré de cuisson désiré. Pour des résultats plus précis, utiliser un thermomètre à viande. L'insérer de façon à ce que la pointe se trouve au centre de la partie la plus épaisse de la viande mais ne touche ni graisse ni os.
- Enlever le rôti du four quand le thermomètre indique une température inférieure d'environ 3° C (5° F) à celle du degré de cuisson désiré. La viande continue un peu à cuire quand on la laisse reposer.

REMARQUE : Pour plus de renseignements sur la salubrité des aliments, appeler l'organisation USDA Meat and Poultry au numéro d'appel sans frais 1-800-535-4555. Pour tous renseignements sur la cuisson, écrire (en anglais) à National Live Stock and Meat Board, 444 North Michigan Avenue, Chicago, Illinois 60611, États-Unis.

CONSEILS POUR LA CUISSON AU GRIL

- La cuisson au grill est une méthode de cuisson utilisée avec les viandes tendres, qui sont cuites à la chaleur rayonnante. Le temps de cuisson est déterminé par la distance entre la viande et le brûleur, le degré de cuisson désiré et l'épaisseur de la viande.
- La cuisson au grill exige l'utilisation de la lèchefrite et de la grille intérieure. La grille intérieure doit être en place pour permettre à la graisse et au jus de viande de ne pas rester à la surface, évitant éclaboussures, fumée et flammèches. Un mauvais usage peut faire s'enflammer la graisse et entraîner des incendies.
- Pour plus de facilité de nettoyage, couvrir la lèchefrite d'une feuille d'aluminium et vaporiser la grille de produit végétal anti-adhérent. Ne pas couvrir la grille d'aluminium car cela empêcherait la graisse de s'écouler dans la lèchefrite.
- Pour éviter éclaboussures et fumée excessives, enlever tout excès de graisse de la viande. Faire des entailles sur les bords de la viande pour éviter qu'ils se rétractent pendant la cuisson. Assaisonner une fois la cuisson terminée.
- Il est possible de cuire les aliments dont la cuisson est plus longue, tels que les côtes de porc, à une température moins élevée pour éviter qu'ils brunissent trop. Pour ce type de cuisson, régler le four sur 204 à 232° C (400 à 450° F) au lieu de BROIL. Si la nourriture fume excessivement ou « saute » et produit des éclaboussures, régler le four sur 204 à 232° C (400 à 450° F).
- Retourner la viande à à peu près mi-cuisson. Vérifier si la viande est cuite en faisant une entaille vers le centre pour en contrôler la couleur.
- Voir le tableau de nettoyage de la page 15 pour le nettoyage de la lèchefrite et de la grille intérieure.

REMARQUE : Pour acheter une lèchefrite à deux composants pour votre cuisinière pour véhicule de plaisance, remplir le bon de commande qui accompagne la cuisinière. Si ce bon n'est pas fourni, appeler le 1-800-688-9900 États-Unis. o 1-800-688-2002 Canada.

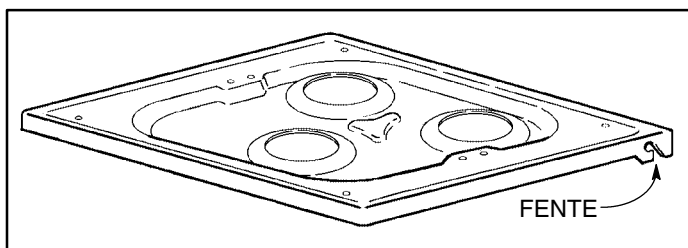
SURFACE DE CUISSON

ATTENTION : Pour éviter que la surface de cuisson ne se trouve abîmée, ne pas utiliser de récipients trop grands. Les marmites ne doivent pas dépasser la grille du brûleur de plus de 2,5 cm (1 po). Le diamètre maximum doit être celui d'une poêle de 25,4 cm (10 po).

Nettoyer la surface de cuisson après chaque usage pour empêcher qu'elle ne se tache ou ne se décolore. Essuyer les taches acides ou de sucre dès qu'elle a suffisamment refroidi car ces taches peuvent en attaquer ou en décolorer l'émail vitrifié.

Pour enlever la surface de cuisson :

1. Une fois celle-ci froide, saisir les deux coins avant et soulever.
2. Dégager la fente du coin arrière gauche du flasque qui s'insère sur la patte de la paroi du compartiment des brûleurs.
3. Déplacer ensuite la surface de cuisson vers la gauche pour la dégager de la patte de la paroi du compartiment des brûleurs.

**Pour la remettre en place :**

1. Insérer la fente du coin arrière du flasque de la surface de cuisson sur la patte de la paroi du compartiment des brûleurs.
2. Abaisser l'arrière de la surface de cuisson en place en insérant la fente dans le coin arrière gauche du flasque de la surface de cuisson sur la patte de la paroi du compartiment des brûleurs.
3. Abaisser la surface de cuisson en place et appuyer légèrement sur les coins avant pour la fixer en place.

Certaines conditions atmosphériques pourront entraîner la formation de rouille sous la surface de cuisson. Ceci est particulièrement vrai s'il y a beaucoup d'humidité ou que l'air présente une forte salinité.

Pour éliminer ce problème, faire le nécessaire pour que le dessous de la surface de cuisson reste sec. Ceci est particulièrement important dans les régions de grande humidité, où l'humidité s'accumule sur toutes les surfaces. En cas d'un début de rouille, la vaporisation de peintures aux silicones ou de rustolium spécial pour températures élevées s'est révélée utile.

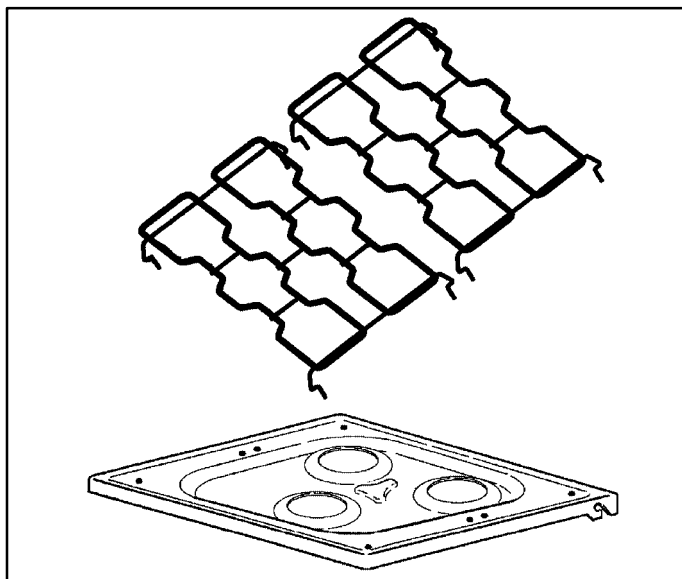
ATTENTION : Ôter la surface de cuisson de la cuisinière et la vaporiser dans un endroit bien aéré.

GRILLES DES BRÛLEURS

ATTENTION : Ne pas utiliser un brûleur dont la grille ou la cuvette n'est pas en place. Le fini émaillé de la grille peut s'écailler s'il n'y a pas de cuvette pour absorber la chaleur intense produite par les brûleurs.

Pour mettre les grilles en place :

1. Placer la grille sur la surface de cuisson en mettant chacun des quatre pieds de la grille sur le dessus des oeillets en plastique noir.
2. Appuyer sur les coins pour bien fixer la grille sur la surface de cuisson.
3. Pour éviter que les oeillets ne se trouvent abîmés, ne pas appuyer en même temps sur les quatre coins.
4. Mettre un côté de la grille en place, puis l'autre.



BRÛLEURS INTÉGRÉS DE LA SURFACE DE CUISSON (certain modèles)

L'émail vitrifié des brûleurs est durable mais peut perdre son brillant au fil des années.

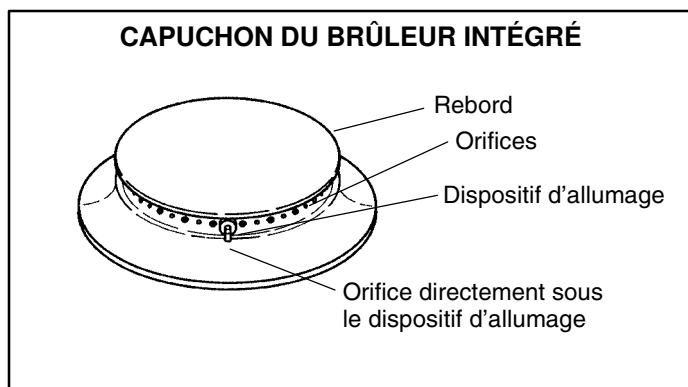
Les trois brûleurs intégrés sont fixés à la surface de cuisson et ne sont PAS conçus pour être démontés par le consommateur.

Certains modèles sélectionnés sont équipés de brûleurs intégrés spéciaux à CHAUFFAGE RAPIDE. Ce sont les brûleurs avant droit et arrière gauche. Ils s'utilisent pour amener rapidement de l'eau à ébullition.

Nettoyer le chapeau du brûleur après chaque usage, en particulier si des liquides ont débordé. Un brûleur sale peut ne pas s'allumer correctement ou avoir une flamme irrégulière. Lors du nettoyage du pourtour du brûleur intégré, veiller à ne pas endommager le dispositif d'allumage. Si le linge accroche dans le dispositif d'allumage, celui-ci pourrait se trouver endommagé ou cassé.

Si le brûleur ne s'allume pas :

1. Le brûleur ne peut pas s'allumer si le dispositif d'allumage est abîmé, cassé, sal ou mouillé. Il ne peut par ailleurs pas s'allumer si les orifices sont bouchés, en particulier le petit orifice qui se trouve directement au-dessous du dispositif d'allumage.
2. Vérifier si les orifices sont bouchés. Si c'est le cas, les nettoyer à l'aide d'une épingle ou d'un petit trombone (agrafe).

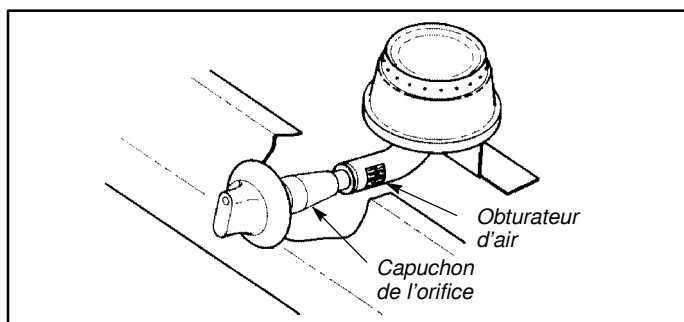


BRÛLEURS DE LA SURFACE DE CUISSON (certain modèles)

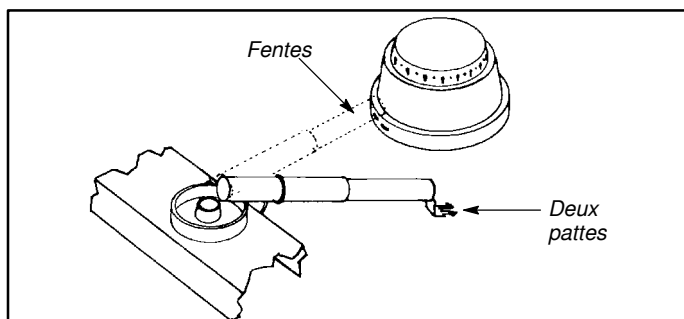
Votre cuisinière ou votre plaque de cuisson pour véhicule de plaisance est dotée de trois brûleurs. Chacun est fixé en place à l'aide de vis. Lorsque le brûleur est froid, enlever la vis, puis le brûleur. Lors de la remise en place du brûleur, veiller à remettre également la vis.

Si le brûleur ne s'allume pas, vérifier si les orifices sont bouchés. Si c'est le cas, les nettoyer avec une épingle ou un petit trombone (agrafe). S'assurer que la veilleuse est allumée. Vérifier que le brûleur est correctement en place.

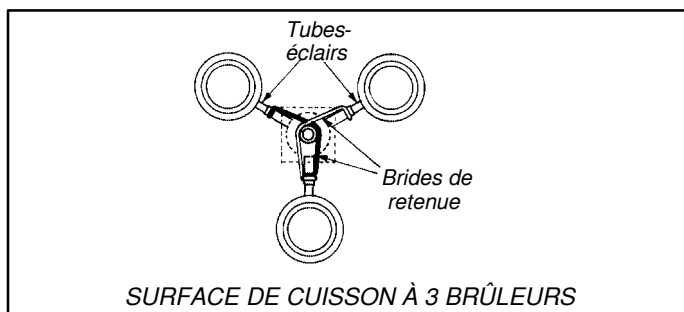
Mise en place d'un brûleur : L'extrémité du brûleur comportant l'obturateur d'air doit s'insérer sur le capuchon de l'orifice.



Mise en place d'un brûleur à allumage piézoélectrique : Les deux pattes du tube-éclair doivent être fermement insérées dans les deux fentes de chaque chapeau de brûleur.



Les brides de retenue des tubes-éclairs doivent fixer ceux-ci en place. Ces brides se trouvent sous l'écran métallique.



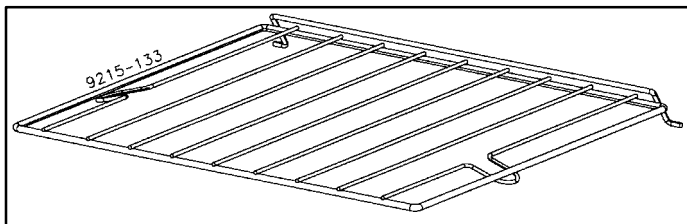
PORTE DU FOUR

Ne pas placer un trop grand poids sur la porte du four ni l'ouvrir et se tenir debout dessus, ceci pouvant dans certains cas faire culbuter l'appareil de cuisson, endommager la porte ou causer des blessures.

Pour ouvrir la porte du four, faire attention à laisser la vapeur ou l'air chauds s'échapper avant de mettre les mains dans le four pour vérifier la cuisson ou pour ajouter ou enlever de la nourriture.

GRILLE DU FOUR

Votre cuisinière pour véhicule de plaisance est dotée d'une grille et offre deux ou trois hauteurs de grille possibles. La grille est dotée d'un système d'arrêt pour l'empêcher de sortir complètement du four par accident lorsqu'elle est sortie pour ajouter ou enlever un plat. Elle est également munie de deux dispositifs de blocage pour empêcher la grille de faire du bruit lorsque le véhicule roule.



ATTENTION : Ne pas changer la grille de niveau pendant que le four est brûlant.

Pour enlever la grille :

1. Vérifier que la grille n'est plus brûlante.
2. Tirer sur la grille jusqu'à ce qu'elle s'arrête. Ceci dégage les deux dispositifs de blocage, de chaque côté de la grille.
3. Soulever le devant de la grille, puis la pousser vers l'arrière du four.
4. Soulever l'arrière de la grille et l'enlever du four.

Pour la remettre en place :

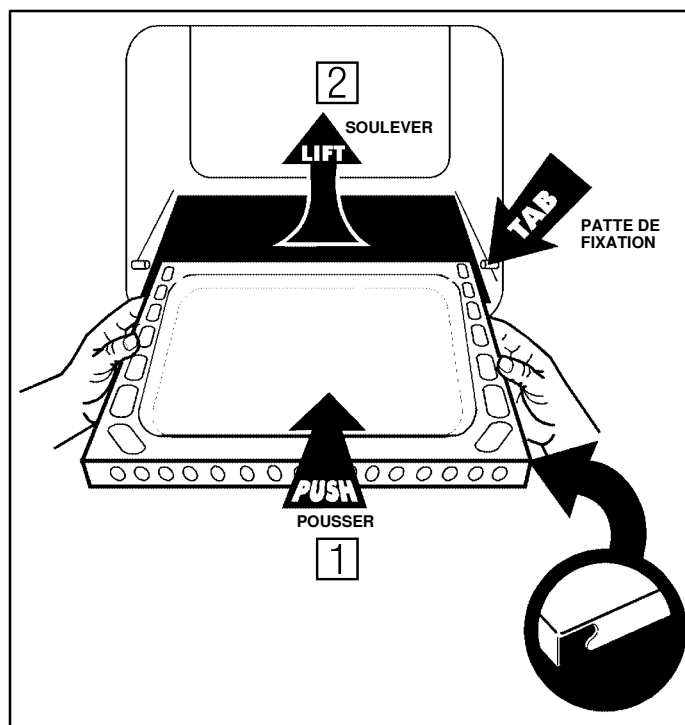
1. Placer la grille dans le four **sur** les supports.
2. Pousser la grille vers l'arrière du four pour lui permettre de s'insérer en place.
3. Tirer la grille jusqu'à la position de blocage.
4. Ensuite, tout en repoussant la grille en place, abaisser les deux dispositifs de blocage de façon à les placer **sous** le support de la grille. Ceci fixe la grille en place et l'empêche de faire du bruit pendant que le véhicule roule.

FOND DU FOUR

Protéger le fond du four contre les liquides qui débordent en grande quantité, surtout s'ils sont de nature acide ou d'une teneur en sucre élevée, car ils peuvent décolorer l'émail du four. Utiliser des moules et plats de la bonne grandeur pour éviter que leur contenu ne déborde. Ne jamais mettre de récipients ou de papier d'aluminium directement sur le fond du four.

Pour enlever le fond du four :

1. Une fois le four refroidi, pousser le fond du four vers l'arrière du four, contre les ressorts de la paroi arrière.
Ceci le dégage des deux pattes de fixation des parois du four.
2. Soulever ensuite le fond du four et l'enlever.



Pour remettre le fond du four en place :

1. Positionner le fond du four de façon à ce que les trous du flasque se trouvent à l'avant du four.
2. Faire glisser le fond du four vers l'arrière jusqu'à ce que le rebord arrière soit inséré dans le support à l'arrière du four.
3. Pousser ensuite le fond du four contre les ressorts et l'abaisser en place.
4. Veiller à ce que chaque fente des coins avant s'insère bien dans les pattes de fixation de la paroi du four. Ceci bloque le fond du four en place et l'empêche de faire du bruit pendant que le véhicule roule.

TABLEAU DE NETTOYAGE

COMPOSANT	AGENTS NETTOYANTS	MARCHE À SUIVRE
Surfaces émaillées— <ul style="list-style-type: none"> • Porte du four • Panneaux latéraux 	<ul style="list-style-type: none"> • Eau savonneuse • Nettoyeur liquide doux • Nettoyeur pour vitres 	<p>Utiliser une serviette ou un linge sec pour essuyer les liquides qui débordent, surtout s'ils sont acides (lait, jus de citron, fruits, moutarde, sauce tomate) ou sucrés. La surface peut se trouver décolorée ou ternie si la saleté n'est pas enlevée immédiatement. Ceci est particulièrement important sur les surfaces blanches.</p> <p>Une fois la surface froide, la laver à l'eau savonneuse chaude, rincer et sécher. Dans le cas de taches rebelles, utiliser un nettoyeur abrasif doux comme de la pâte de bicarbonate de soude ou Bon Ami. Si on le désire, une fine couche de cire douce pour les appareils électroménagers peut être utilisée pour protéger les panneaux latéraux. Un nettoyeur pour le verre peut être utilisé pour faire briller.</p> <p>REMARQUE : Ne pas utiliser d'agents nettoyants abrasifs, caustiques ou trop puissants comme les tampons en laine d'acier ou les nettoyeurs pour four sur ces surfaces. Ces agents nettoyants rayeraient ou endommageraient la surface de façon permanente.</p> <p>REMARQUE : Ne jamais essuyer une surface chaude ou brûlante avec un linge humide car cela pourrait abîmer la surface et provoquer des brûlures par la vapeur.</p>
Lèchefrite et grille intérieure	<ul style="list-style-type: none"> • Eau savonneuse • Tampon à récurer en plastique • Tampons à récurer savonneux • Lave-vaisselle 	<p>Les retirer du four après chaque usage. Laisser refroidir, puis jeter la graisse. Mettre un linge humidifié d'eau savonneuse sur la grille et la lèchefrite et laisser tremper pour ramollir la saleté. Laver à l'eau savonneuse chaude. Utiliser un tampon à récurer savonneux pour enlever les taches rebelles. Nettoyer au lave-vaisselle si désiré.</p> <p>REMARQUE : Pour faciliter le nettoyage, prétraiter la grille avec un produit végétal anti-adhérent et tapisser l'intérieur de la lèchefrite de papier d'aluminium.</p>
Compartment des brûleurs	<ul style="list-style-type: none"> • Eau savonneuse • Pâte de bicarbonate de soude et d'eau • Tampon ou éponge à récurer en plastique • Nettoyeur liquide • Nettoyeur pour vitres 	<p>Le compartiment des brûleurs se trouve sous la surface de cuisson relevable. Il doit être nettoyé fréquemment pour enlever tout liquide ayant pu déborder. Si ce compartiment n'est pas nettoyé et que la saleté s'accumule, le fini peut se trouver endommagé. Pour nettoyer ce compartiment, enlever les grilles et les brûleurs de la surface de cuisson, nettoyer à l'eau savonneuse, rincer et sécher.</p>
Boutons de commande	<ul style="list-style-type: none"> • Eau savonneuse 	<p>Pour enlever les boutons, tirer doucement dessus. Laver à l'eau additionnée de détergent doux. Ne pas les faire tremper. Ne pas utiliser d'agents nettoyants abrasifs. Ils rayeraient le fini et enlèveraient les indications inscrites sur les boutons. Rincer, sécher et remettre en place. Allumer chaque brûleur pour voir si les boutons ont été remis en place correctement.</p>
Verre <ul style="list-style-type: none"> • Fenêtre du four 	<ul style="list-style-type: none"> • Eau savonneuse • Pâte de bicarbonate de soude et d'eau • Nettoyeur pour vitres 	<p>Laver à l'eau savonneuse, puis finir le nettoyage avec du nettoyeur pour le verre et un linge doux. Enlever les taches rebelles avec une pâte de bicarbonate de soude et d'eau. Rincer avec un linge humidifié d'eau claire. Sécher. Ne pas utiliser d'articles abrasifs, tels que des tampons à récurer ou de la laine d'acier, ni de nettoyeurs en poudre.</p> <p>REMARQUE : Pour empêcher que la vitre du four se trouve tachée, éviter d'utiliser un linge trop mouillé.</p>

TABLEAU DE NETTOYAGE

COMPOSANT	AGENTS NETTOYANTS	MARCHE À SUIVRE
Grilles	<ul style="list-style-type: none"> Eau savonneuse Tampon à récurer en plastique nonabrasif 	<p>Les grilles sont en acier émaillé. Elles peuvent être nettoyées dans l'évier, avec de l'eau additionnée de détergent, ou au lave-vaisselle. Pour nettoyer la saleté incrustée, mettre un essuie-tout humidifié d'eau savonneuse sur la grille et laisser agir 30 minutes. Utiliser un tampon à récurer non abrasif en plastique pour nettoyer les taches rebelles.</p> <p>REMARQUE : Ne jamais utiliser le brûleur sans que la grille soit en place. Pour protéger l'émail de la grille contre toute chaleur excessive, ne jamais faire fonctionner le brûleur sans qu'il y ait un récipient sur la grille. Il est normal que les grilles ternissent au bout d'un certain temps.</p>
Finis métalliques <ul style="list-style-type: none"> Garnitures Tableau de commande Surface de cuisson Porte du four 	<ul style="list-style-type: none"> Eau savonneuse Nettoyeur pour vitres 	<p>Laver à l'eau savonneuse. Utiliser du nettoyeur pour vitres et un linge doux pour enlever les marques de doigts ou les salissures. Ne pas utiliser de nettoyeur pour four ni d'agents nettoyants abrasifs ou caustiques. Ils abîmeraient le fini.</p> <p>ATTENTION : Protéger les conduites de gaz en aluminium contre tout contact avec des nettoyeurs caustiques comme le nettoyeur pour four.</p>
Fond du four		<p>Protéger le fond du four en émail vitrifié en : (1) utilisant des récipients suffisamment grands pour éviter qu'ils ne débordent ou (2) mettant un morceau de papier d'aluminium légèrement plus grand que le récipient sur la grille inférieure. Ne JAMAIS mettre de papier d'aluminium directement sur le fond du four car celui-ci peut fondre sur le fond du four. Protéger le fond du four contre les effets des liquides acides (lait, fromage, tomate, jus de citron, etc.) ou sucrés (tartes) qui pourraient déborder. Ceux-ci peuvent « piquer » ou décolorer l'émail du fond du four. Voir les explications relatives à l'émail vitrifié pour plus de renseignements.</p>
Grilles du four	<ul style="list-style-type: none"> Eau savonneuse Poudres nettoyantes Tampon à récurer en plastique Tampon à récurer savonneux 	<p>Nettoyer à l'eau savonneuse. Enlever les taches rebelles à l'aide de poudre nettoyante ou d'un tampon à récurer savonneux. Rincer et sécher.</p>
Finis en plastique <ul style="list-style-type: none"> Poignées de porte Inscriptions Boutons de commande Capuchons 	<ul style="list-style-type: none"> Eau savonneuse Éponge ou tampon à récurer non abrasif en plastique 	<p>Quand la surface est froide, la nettoyer à l'eau savonneuse ; rincer et sécher. Utiliser du nettoyeur pour vitres et un linge doux.</p> <p>REMARQUE : Ne jamais utiliser de nettoyeur pour four, de liquide abrasif ou caustique ni d'agents nettoyants en poudre sur les finis en plastique. Ces agents nettoyants rayeraient ou abîmeraient le fini.</p> <p>REMARQUE : Pour empêcher que le fini ne se trouve taché ou décoloré, essuyer immédiatement gras, graisse ou produits acides (tomate, citron, vinaigre, lait, jus de fruits, marinade) avec un essuie-tout ou un linge sec.</p>
Surfaces en émail vitrifié <ul style="list-style-type: none"> Surface de cuisson Intérieur du four 	<ul style="list-style-type: none"> Eau savonneuse Nettoyeur abrasif doux Tampon à récurer en plastique Nettoyeur pour four (four seulement) Tampon à récurer savonneux 	<p>Nettoyer l'émail vitrifié à l'eau savonneuse. Rincer et sécher. Dans le cas de saleté rebelle, utiliser de la poudre nettoyante ou un tampon à récurer en plastique. Essuyer les taches de sucre ou de nature acide ou sucrée dès que la surface est froide car ces taches peuvent décolorer ou faire fissurer l'émail. Ne pas utiliser de tampons à récurer métalliques qui rayeraient l'émail.</p> <p>Pour faciliter le nettoyage, mettre 115 mL (1/2 tasse) d'ammoniaque à usage ménager dans un verre peu profond et le laisser dans le four froid pendant une nuit. Les vapeurs d'ammoniaque aideront à ramollir la graisse et la nourriture incrustées. Les nettoyeurs pour four peuvent être utilisés sur l'émail du four seulement. Suivre le mode d'emploi du fabricant. Si un nettoyeur pour four est utilisé, rincer l'intérieur du four et le tube capillaire qui se trouve au haut du four à fond.</p>

TABLEAU DE NETTOYAGE

COMPOSANT	AGENTS NETTOYANTS	MARCHE À SUIVRE
Caoutchouc silicone • Joint de la porte	<ul style="list-style-type: none"> • Eau savonneuse 	Nettoyer à l'eau savonneuse, rincer et sécher. Ne pas enlever le joint de la porte.
Acier inoxydable (certains modèles) • Surface de cuisson • Porte du four	<ul style="list-style-type: none"> • Eau savonneuse • Nettoyeur pour vitres • Nettoyeur légèrement abrasif 	<p>NE PAS UTILISER DE PRODUITS NETTOYANTS CONTENANT DU JAVELLISANT AU CHLORE.</p> <p>PENDANT LE NETTOYAGE, FROTTER TOUJOURS DANS LE SENS DU GRAIN.</p> <p>Laver à l'eau savonneuse. Utiliser du nettoyeur pour vitres et un linge doux pour enlever les marques de doigts ou les salissures. Dans le cas de saleté rebelle, utiliser de la poudre nettoyante ou un tampon à récurer en plastique. Rincer et sécher. Ne pas utiliser de nettoyeur pour four ni d'agents nettoyants abrasifs ou caustiques. Ils abîmeraient le fini.</p> <p>REMARQUE : Pour la décoloration, utiliser du nettoyeur pour acier inoxydable et un linge doux. Rincer immédiatement et sécher.</p>
Brûleurs de la surface de cuisson, conventional, (certains modèles)	<ul style="list-style-type: none"> • Eau savonneuse • Pâte de bicarbonate de soude et d'eau • Éponge ou tampon à récurer en plastique • Nettoyeur légèrement abrasif 	<p>Pour faciliter le nettoyage, nettoyer les brûleurs à l'eau savonneuse tiède chaque fois que la surface de cuisson est utilisée. Si un liquide déborde, mettre la casserole sur un autre brûleur, le laisser refroidir et le nettoyer. Pour nettoyer la saleté rebelle, utiliser un linge sec et un nettoyeur abrasif doux. Veiller à ne pas boucher les orifices. Le brûleur doit être sec avant de pouvoir être utilisé.</p> <p>REMARQUE : La flamme peut avoir une pointe jaune ou ne pas avoir une apparence habituelle jusqu'à ce que le brûleur soit complètement sec.</p> <p>Nettoyer les orifices à l'aide d'une épingle ou d'un petit trombone (agrafe). Ne pas élarger ou déformer les orifices. Ne pas utiliser un cure-dents en bois car il pourrait se casser et boucher l'orifice. Si les orifices sont bouchés ou sales, le brûleur peut ne pas s'allumer correctement ou la flamme peut ne pas être uniforme.</p> <p>Les brûleurs intégrés ne peuvent pas être enlevés par l'utilisateur. Lors du nettoyage des brûleurs, veiller à ne pas endommager le dispositif d'allumage. Un brûleur dont le dispositif d'allumage est abîmé, cassé, sale ou mouillé ne s'allume pas. Lors du nettoyage des orifices, veiller à nettoyer l'orifice qui se trouve directement en dessous du dispositif d'allumage.</p>
Brûleurs de la surface de cuisson, scellés (certains modèles)	<ul style="list-style-type: none"> • Eau savonneuse • Pâte de bicarbonate de soude et d'eau • Éponge ou tampon à récurer en plastique • Nettoyeur légèrement abrasif 	<p>Pour faciliter le nettoyage, nettoyer les brûleurs à l'eau savonneuse tiède dès que le brûleur a refroidi. Si un liquide déborde, mettre la casserole sur un autre brûleur, le laisser refroidir et le nettoyer.</p> <p>Nettoyer après chaque usage, après avoir laissé refroidir, avec de l'eau savonneuse chaude. Pour nettoyer la saleté rebelle, frotter avec un tampon à récurer non abrasif en plastique et une pâte de bicarbonate de soude et d'eau. Nettoyer les orifices à l'aide d'une épingle. Ne pas agrandir ou modifier la forme des orifices. Ne pas utiliser un cure-dents en bois car il pourrait se casser et boucher l'orifice. Les brûleurs de la surface de cuisson peuvent être séchés au four réglé à 76,5° C (170° F). Les brûleurs ne doivent pas être utilisés s'ils sont encore mouillés.</p>

VÉRIFIER CES POINTS AVANT D'APPELER LE SERVICE APRÈS-VENTE

PROBLÈME	CAUSE	SOLUTION
Un brûleur de la surface de cuisson ne s'allume pas.	a. Orifice(s) du brûleur bouché(s). b. Le bouton de réglage n'est pas complètement sur LITE ou il a été retiré de la position LITE trop rapidement. c. Le brûleur ne s'allume pas si le dispositif d'allumage est endommagé, sale, mouillé ou si l'orifice qui se trouve directement sous le dispositif d'allumage est bouché.	a. Nettoyer les orifices avec une épingle ou un petit trombone (agrafe). b. Tourner le bouton de commande sur LITE jusqu'à ce que le brûleur s'allume, puis régler la flamme à la hauteur désirée. c. Nettoyer et sécher le brûleur. S'il est cassé ou endommagé, appeler le service de dépannage.
La flamme d'un brûleur n'est pas uniforme.	a. Orifice(s) du brûleur bouché(s).	a. Nettoyer les orifices avec une épingle.
La flamme d'un brûleur de la surface de cuisson se sépare de l'orifice ou est jaune.	a. Le mélange air/gaz n'est pas bon. REMARQUE : La flamme produite par le gaz de pétrole liquéfié peut être légèrement jaune à la pointe. Ceci est normal et acceptable.	a. Appeler le service après-vente pour ajuster le brûleur. REMARQUE : Veiller à ce que l'installateur règle correctement l'appareil de cuisson au moment de sa mise en service.
Le brûleur du four ne s'allume pas.	a. Le four n'a pas été réglé correctement. b. La veilleuse du four n'est pas allumée.	a. Voir page 9. b. Allumer la veilleuse. Voir page 8.
Un « pop » se produit quand le brûleur s'éteint.	Ceci est un son qui se produit normalement avec certains types de gaz quand un brûleur brûlant est éteint. Le « pop » n'est pas indicatif d'un danger et n'endommage pas l'appareil de cuisson.	
Il se produit de la condensation sur la fenêtre du four pendant son fonctionnement (si celui-ci en est doté).	a. Il est normal que de la condensation se produise sur la fenêtre pendant les premières minutes de fonctionnement du four. b. Le linge utilisé pour nettoyer la fenêtre du four était trop mouillé.	a. Laisser la porte entrouverte pendant une ou deux minutes pour laisser l'humidité s'échapper. b. Nettoyer la vitre avec un linge simplement humidifié pour éviter que l'excès d'eau ne se glisse entre les panneaux de verre.
Le four ne donne pas de bons résultats dans la cuisson de pain et de gâteaux. <ul style="list-style-type: none"> Le pain ou les gâteaux sont insuffisamment dorés, trop bruns ou inégalement dorés. Les plats ne cuisent pas uniformément. La nourriture est trop cuite ou pas assez cuite. 	a. Le four n'a pas été préchauffé ou n'a pas été réglé à la température voulue. b. La grille n'est pas à la bonne hauteur. c. Le papier d'aluminium n'a pas été utilisé correctement. d. Le fond du four n'a pas été remis correctement en place. e. Trop de récipients ; trop grand récipient. f. Le capteur du thermostat n'est plus maintenu en place.	a. Préchauffer le four pendant 10 à 15 minutes. b. Voir page 9. c. Voir page 9. d. Remettre le fond du four correctement en place. Voir page 14. e. Voir page 9. f. Réinsérer le capteur du thermostat dans le ou les supports. Voir le tableau sur les problèmes de cuisson au four page 10 pour plus de renseignements.
Le four produit beaucoup de fumée pendant le fonctionnement du gril.	a. Température trop élevée. b. La viande contient trop de graisse. c. La sauce a été appliquée trop tôt ou la viande n'a pas été correctement égouttée et il reste trop de marinade dessus. d. La lèchefrite est sale. e. La grille intérieure de la lèchefrite est couverte d'aluminium. f. Le fond du grilloir ou le four est sale.	a. Baisser la température entre 204° et 232° C (400° et 450° F). b. Enlever la graisse. c. Enduire de sauce au cours des dernières minutes de cuisson. Si la viande a été marinée, bien l'égoutter avant de la mettre à cuire. d. Toujours nettoyer la lèchefrite et la grille intérieure après chaque usage. e. Ne jamais couvrir la grille intérieure de papier d'aluminium car cela empêche la graisse de s'égoutter dans la lèchefrite. f. Nettoyer le grilloir ou le four.

VÉRIFIER CES POINTS AVANT D'APPELER LE SERVICE APRÈS-VENTE

PROBLÈME	CAUSE	SOLUTION
Le four ne chauffe pas assez vite, donne de mauvais résultats dans la cuisson de pain et de gâteaux, le brûleur s'allume mal, la veilleuse ne reste pas allumée, les brûleurs de surface produisent des « pops », il y a une accumulation de carbone sur le pare-flamme de la veilleuse, la flamme du brûleur est trop basse, trop élevée.	a. Détendeur de gaz	a. Faire vérifier le bon fonctionnement du détendeur au revendeur.
La veilleuse du four ne reste pas allumée.	a. Tubulure de la veilleuse b. Détendeur de gaz c. Bouton de réglage du four	a. Peut être bouchée, tordue ou fuit au niveau du raccord. b. Faire vérifier le bon fonctionnement du détendeur au revendeur. c. S'assurer que le bouton de réglage est sur PILOT ON (veilleuse allumée) et non pas sur OFF (arrêt).
Odeur de gaz	a. Fuite possible, ou raccords mal serrés	a. Voir l'encadré de la page couverture. En raison des vibrations de la route, les raccords d'un véhicule de plaisance peuvent se desserrer. Il faut par conséquent revérifier périodiquement qu'il n'y a pas de fuite au niveau des raccords. Voir sur la notice de mise en service la marche à suivre pour vérifier qu'il n'y a pas de fuites. Ne JAMAIS utiliser d'allumette ou autre flamme pour voir s'il y a des fuites.

Garantie dans les véhicules récréatifs

Garantie

Garantie limitée d'un an - pièces et main-d'œuvre

Durant une période d'un (1) an à compter de la date de l'achat initial, toute pièce qui se révélerait défectueuse dans les conditions normales d'usage ménager sera réparée ou remplacée gratuitement.

Résidents du Canada

Les garanties ci-dessus couvrent un appareil installé au Canada seulement s'il a été agréé par les agences de test habilitées (vérification de la conformité à une norme nationale du Canada), sauf si l'appareil a été introduit au Canada à l'occasion d'un changement de résidence des États-Unis vers le Canada.

*Les garanties spécifiques formulées ci-dessus sont les **SEULES** que le fabricant accorde.*

Ces garanties vous confèrent des droits juridiques spécifiques et vous pouvez également jouir d'autres droits, variables d'un État à l'autre ou d'une province à l'autre.

LE SEUL ET UNIQUE RECOURS DU CLIENT EN VERTU DE CETTE GARANTIE LIMITÉE EST LA RÉPARATION DU PRODUIT COMME DÉCRITE PRÉCÉDEMMENT. LES GARANTIES IMPLICITES, Y COMPRIS LES GARANTIES DE QUALITÉ MARCHANDE OU D'ADAPTATION À UN USAGE PARTICULIER, SONT LIMITÉES À UN AN OU À LA PÉRIODE LA PLUS COURTE PERMISE PAR LA LOI. MAYTAG CORPORATION NE SERA PAS TENUE RESPONSABLE DES DOMMAGES DIRECTS OU INDIRECTS. CERTAINS ÉTATS ET CERTAINES PROVINCES INTERDISSENT L'EXCLUSION ET LA LIMITATION DES DOMMAGES DIRECTS OU INDIRECTS AINSI QUE LES LIMITATIONS SUR LA DURÉE DES GARANTIES IMPLICITES DE QUALITÉ MARCHANDE OU D'ADAPTATION À UN USAGE PARTICULIER. IL EST DONC POSSIBLE QUE CES LIMITATIONS NE S'APPLIQUENT PAS À VOUS. CETTE GARANTIE VOUS CONFÈRE DES DROITS JURIDIQUES SPÉCIFIQUES ET IL SE PEUT QUE VOUS AYIEZ D'AUTRES DROITS, QUI VARIENT D'UN ÉTAT À L'AUTRE OU D'UNE PROVINCE À L'AUTRE.

Ne sont pas couverts par ces garanties

1. Les problèmes et dommages résultant des situations suivantes :
 - a. Mise en service, livraison ou entretien effectués incorrectement.
 - b. Toute réparation, modification, altération et tout réglage non autorisés par le fabricant ou par un prestataire de service après-vente agréé.
 - c. Mauvais emploi, emploi abusif, accidents, usage non raisonnable, ou catastrophe naturelle.
 - d. Courant électrique, tension, alimentation électrique ou en gaz incorrects.
 - e. Réglage incorrect d'une commande.
2. Les garanties ne peuvent être honorées si les numéros de série d'origine ont été enlevés, modifiés ou ne sont pas facilement lisibles.
3. Ampoules, filtres à eau et filtres à air.
4. Les produits achetés à des fins commerciales ou industrielles.
5. Les frais de dépannage ou de visite pour :
 - a. Correction d'erreurs de mise en service. Pour les produits nécessitant une ventilation, un conduit métallique rigide doit être utilisé.
 - b. Initiation de l'utilisateur à l'emploi de l'appareil.
 - c. Transport de l'appareil chez le réparateur et retour de l'appareil chez l'utilisateur.
6. Tout aliment perdu en raison de pannes du réfrigérateur ou du congélateur.
7. Dépenses de déplacement et de transport pour la réparation du produit dans des endroits éloignés.
8. Cette garantie n'est pas valide à l'extérieur des États-Unis et du Canada. Communiquez avec votre détaillant pour savoir si une autre garantie s'applique.
9. Dommages indirects ou accessoires subis par toute personne à la suite d'une quelconque violation des garanties. Certains États ou provinces ne permettent pas l'exclusion ou la limitation de responsabilité en ce qui concerne les dommages directs ou indirects. L'exclusion ci-dessus peut en conséquence ne pas s'appliquer à votre cas.

Si vous avez besoin d'aide

Consultez d'abord la section sur le dépannage dans le manuel d'utilisation et d'entretien, puis appelez le détaillant de qui vous avez acheté votre appareil ou le service à la clientèle de Maytag Services, LLC au 1-800-688-9900 aux États-Unis et au 1-800-688-2002 au Canada pour savoir où trouver un réparateur autorisé.

- Veillez à conserver la facture d'achat pour justifier de la validité de la garantie. Pour d'autres renseignements concernant les responsabilités du propriétaire à l'égard du service sous garantie, voir le texte de la GARANTIE.
- Si le détaillant ou l'agence de service après-vente ne peut résoudre le problème, écrivez à Maytag Services, LLC à l'adresse suivante : CAIR® Center, P.O. Box 2370, Cleveland, TN 37320-2370 États-Unis, ou appelez au **1-800-688-9900 aux États-Unis ou au 1-800-688-2002 au Canada**.
- Les guides d'utilisation, les manuels de service et les renseignements sur les pièces sont disponibles auprès du service à la clientèle de Maytag Services, LLC.

Remarques : Veillez à fournir l'information suivante lorsque vous communiquez avec nous au sujet d'un problème :

- a. Vos nom, adresse et numéro de téléphone;
- b. Numéro de modèle et numéro de série de l'appareil;
- c. Nom et adresse de votre détaillant ou de votre agence de service;
- d. Description détaillée du problème observé;
- e. Preuve d'achat (facture de vente).



Amana



Estufas para Vehículos Recreacionales Uso y Cuidado

(Este artefacto no está aprobado para uso marino)

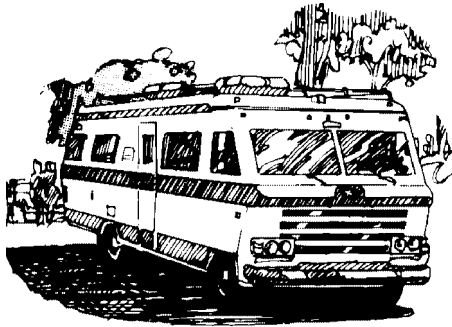


TABLA DE MATERIAS

- INSTRUCCIONES DE SEGURIDAD ... 3 a 5
- USO Y CUIDADO 6 a 19
 - Uso de la cubierta
 - Uso del horno
 - Mantenimiento
 - Cuidado
 - Servicio

ADVERTENCIA

PARA SU SEGURIDAD SI SIENTE OLOR A GAS:

1. Abra las ventanas y haga salir a todas las personas del vehículo.
2. Cierre el suministro de gas en el depósito del gas o en la fuente.
3. Apague cualquier llama abierta.
4. No toque ningún interruptor eléctrico ni use el teléfono ni la radio del vehículo.
5. No ponga en marcha el motor ni el generador eléctrico del vehículo.
6. Llame inmediatamente a su proveedor de gas o a un técnico de servicio calificado.
7. No encienda el gas hasta que no se hayan reparado el (los) escape(s) de gas.

PARA SU SEGURIDAD
No almacene ni use gasolina ni otros vapores y líquidos inflamables en la vecindad de este artefacto ni de ningún otro.

ADVERTENCIA

La instalación, ajuste, modificación, reparación o mantenimiento incorrecto pueden causar una lesión o daños materiales. Consulte este manual. Para ayuda o mayor información consulte a un instalador calificado, una agencia de servicio, al fabricante (distribuidor) o al proveedor de gas.

INSTALADOR Por favor deje esta guía junto con el artefacto.

CONSUMIDOR Para ahorrarle tiempo, energía y dinero, lea y conserve este manual para referencia futura.

**PARA AYUDA A LOS CLIENTES POR FAVOR LLAME AL: 1-800-688-9900 EE.UU.
1-800-688-2002 Canadá**

RECOMENDACIONES ACERCA DE SU ESTUFA PARA VEHICULO RECREACIONAL

Le agradecemos la compra de nuestra estufa. Para ayudarle a obtener un máximo rendimiento, le ofrecemos estas sugerencias:

- ☞ Lea este manual antes de usar el artefacto.
- ☞ Examine todas las instrucciones y advertencias de seguridad.
- ☞ Examine la Tabla de Diagnóstico de Problemas en las páginas 18 a 19 si es necesario efectuar reparaciones.
- ☞ Incluya el número de serie y el número de modelo de su artefacto cuando solicite servicio.
 - Se necesitará prueba de compra tal como el recibo de venta para recibir servicio bajo la garantía.

☞ Puede llamarnos al o escribir a:

Maytag Appliances Sales Company
 Attn: CAIR® Center
 P. O. Box 2370
 Cleveland, TN 37320-2370
1-800-688-9900 EE.UU.
1-800-688-2002 Canadá

En nuestro continuo afán de mejorar la calidad y rendimiento de nuestras estufas, puede que sea necesario modificar el artefacto sin actualizar esta guía.

TABLA DE MATERIAS

INSTRUCCIONES IMPORTANTES DE SEGURIDAD	3-5
USO DE LA CUBIERTA	6-7
Sistema de encendido	6
Cómo encender el quemador superior	6
Instrucciones para el cierre	6
Selección del tamaño de la llama	7
Ajuste de la llama	7
Tipos de utensilios	7
USO DEL HORNO	8-11
Sistema de encendido	8
Cómo encender el piloto del horno	8
Características del horno	8
Perilla "OVEN"	8
Instrucciones para el cierre	8
Preparación del horno	9
Precalentamiento	9
Uso de papel de aluminio	9
Sugerencias para el horneado	9
Tabla de problemas comunes de horneado	10
Sugerencias para asar al horno	11
Sugerencias para asar a la parrilla	11
MANTENIMIENTO	12-14
Cubierta	12
Rejillas de los quemadores	12
Quemadores superiores sellados	13
Quemadores comunes	13
Puerta del horno	14
Parrillas del horno	14
Fondo del horno	14
TABLA DE CUIDADO Y LIMPIEZA	15-17
SERVICIO	18-19
Antes de solicitar servicio	

INSTRUCCIONES IMPORTANTES DE SEGURIDAD 3

Lea todas las instrucciones antes de usar este artefacto.

Las siguientes instrucciones se refieren a consideraciones de seguridad y deben ser seguidas estrictamente a fin de eliminar los riesgos potenciales de incendio, choque eléctrico o lesión personal.

Su estufa debe ser instalada y puesta a tierra en forma debida por un instalador calificado de acuerdo con las instrucciones de instalación. Pida al instalador que le indique la ubicación de la válvula de cierre del gas y como cerrarla en caso de una emergencia.

Siempre desenchufe el artefacto antes de efectuar alguna reparación.

Para asegurar un funcionamiento correcto y evitar alguna lesión o daños materiales, no intente ajustar, reparar, prestar servicio ni reemplazar ninguna pieza de su estufa a menos que sea específicamente recomendado en este manual. Todas las otras reparaciones deben ser realizadas por un instalador o técnico de servicio calificado.

PARA EVITAR UN INCENDIO O DAÑO CAUSADO POR EL HUMO

Asegúrese de que se hayan retirado todos los materiales de empaque del artefacto antes de su uso.

Mantenga el área alrededor del artefacto libre y exenta de materiales combustibles, gasolina y otros vapores y materiales inflamables.

Si el artefacto es instalado cerca de una ventana, se debe tener cuidado para evitar que las cortinas sean sopladas y pasen sobre los quemadores.

Nunca deje artículos sobre la cubierta de la estufa. El aire caliente del respiradero puede encender los artículos inflamables y aumentar la presión en los envases cerrados hasta hacerlos reventar.

Muchos envases de tipo aerosol son **EXPLOSIVOS** cuando son expuestos al calor y pueden ser altamente inflamables. Evite su uso o su almacenamiento cerca del artefacto.

Muchos plásticos son vulnerables al calor. Mantenga los plásticos alejados de las piezas de la estufa que puedan estar tibias o calientes. No deje artículos de plástico sobre la cubierta de la estufa pues se pueden derretir o ablandar si están demasiado cerca del respiradero o de un quemador superior que esté encendido.

Para eliminar el riesgo de tener que pasar sobre los quemadores superiores calientes, no se deben guardar artículos en los armarios que están directamente sobre la estufa. Si tales armarios son usados para almacenamiento, debe limitarse a colocar artículos de uso poco frecuente y que se pueden guardar en forma segura en un área que estará sujeta al calor proveniente de la estufa. Las temperaturas pueden no ser apropiadas para algunos artículos, tales como líquidos volátiles, limpiadores o rociadores en aerosol.

EN CASO DE INCENDIO

Apague el artefacto y la campana de ventilación para evitar que las llamas se dispersen. Extinga las llamas luego encienda la campana para expulsar el humo y el olor.

Use un extinguidor con producto químico seco o del tipo espuma o bicarbonato de soda para apagar el incendio o las llamas. Nunca use agua en un incendio de grasa.

Si el incendio es en el horno o en la asadera, apague las llamas cerrando la puerta del horno.

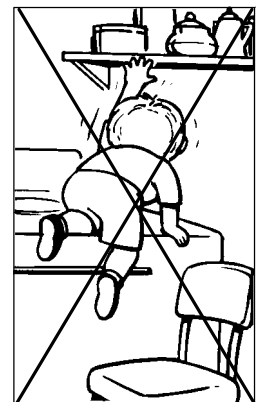
Si es incendio es en una olla en un quemador superior, tape la olla. Nunca trate de levantar o mover una olla que esté en llamas.

SEGURIDAD PARA LOS NIÑOS

Nunca deje a los niños solos o sin supervisión cuando el artefacto esté en uso o esté todavía caliente. No se debe nunca permitir que los niños se sienten o se paren en ninguna parte del artefacto.

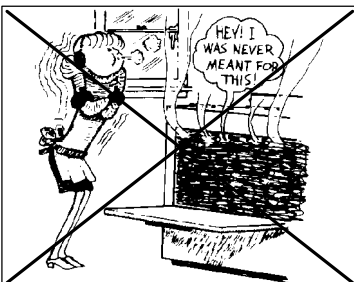
Se les debe enseñar a los niños que el artefacto y los utensilios que están en él pueden estar calientes. Deje enfriar los utensilios calientes en un lugar seguro, fuera del alcance de los niños pequeños. Se les debe enseñar a los niños que la estufa no es un juguete. No se debe permitir que los niños jueguen con los controles u otras piezas de la estufa.

ATENCIÓN: Nunca almacene artículos de interés para los niños en los armarios que están sobre la estufa o en el protector trasero de la estufa. Los niños que se suben al artefacto o a la puerta para alcanzar los artículos pueden lesionarse gravemente.



GENERALIDADES

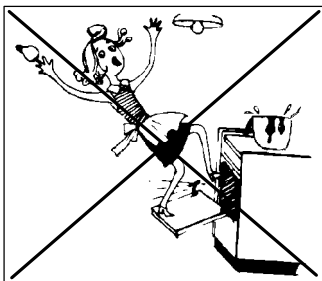
Para evitar posibles riesgos para el usuario y daño al artefacto, nunca use el artefacto como un calefactor para calentar o entibiar una habitación. Además, no use la cubierta o el horno como un área para almacenar alimentos o utensilios de cocina.



No obstruya el flujo de la combustión y del aire de ventilación obstruyendo los respiraderos del horno o las tomas de aire. Si se restringe la circulación del aire hacia el quemador se afecta el rendimiento y aumenta la emisión de monóxido de carbono a niveles peligrosos.

Evite tocar el área del respiradero del horno cuando el horno esté encendido y durante varios minutos después de que el horno haya sido apagado. Algunas partes del respiradero y del área circundante se calientan lo suficiente como para causar quemaduras. Después de que el horno haya sido apagado, no toque el respiradero ni las áreas circundantes hasta que ellas no hayan tenido tiempo suficiente para enfriarse.

ATENCIÓN: Nunca use un artefacto como un taburete para alcanzar los armarios que están arriba. El mal uso de las puertas o cajones del artefacto, tal como pararse, apoyarse o sentarse en la puerta o en el cajón puede ocasionar que el artefacto se vuelque, que se quiebre la puerta y lesiones graves.



No toque un foco caliente del horno con un paño húmedo pues el foco se puede quebrar. Si se quiebra el foco, desconecte la corriente eléctrica hacia la estufa antes de sacar el foco para evitar choque eléctrico.

ADVERTENCIA SOBRE LOS ALIMENTOS PREPARADOS

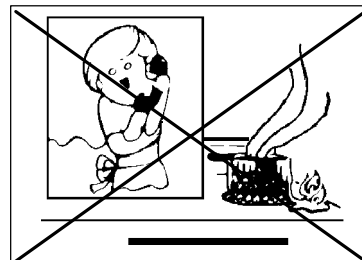
Siga las instrucciones del fabricante de los alimentos. Si un envase de plástico de alimento congelado y/o su tapa se deforma, se comba o se daña de alguna otra manera durante la cocción, descarte inmediatamente el alimento y su envase. El alimento puede estar contaminado.

SEGURIDAD PARA COCINAR

Siempre coloque un utensilio en un quemador superior antes de encenderlo. Asegúrese de usar la perilla correcta que controla cada quemador superior. Asegúrese de encender el quemador correcto y comprobar de que en efecto el quemador haya sido encendido. Cuando haya terminado de cocinar, apague el quemador antes de retirar el utensilio para evitar exposición a la llama del quemador.

Siempre ajuste la llama del quemador superior de modo que no se extienda más allá del borde inferior del utensilio. Una llama excesiva es peligrosa, desperdicia energía y puede dañar la estufa, el utensilio o los armarios que están sobre la estufa.

Nunca deje sin supervisión la cubierta de la estufa cuando esté cocinando, especialmente cuando usa un ajuste de calor alto o cuando esté usando una freidora. Los derrames pueden producir humo y los derrames de grasa pueden inflamarse. Limpie los derrames grasos tan pronto como sea posible. No use calor alto durante períodos de cocción prolongados.



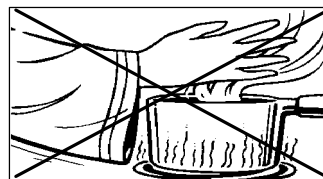
Nunca caliente un envase cerrado en el quemador superior o en el horno. La acumulación de presión puede hacer explotar el envase causando una lesión personal grave o daño a la estufa.

Use toalla seca y gruesa. Las toallas húmedas pueden causar quemaduras a causa del vapor. Las toallas de secar platos u otros sustitutos no deben ser usados como toallas porque ellos pueden quedar colgando a través de los quemadores superiores y encenderse o enredarse en las piezas de la estufa.

Siempre deje enfriar la grasa caliente que se ha usado en la freidora antes de intentar moverla o manipularla.

No permita que se acumule grasa u otros materiales inflamables en la estufa o cerca de ella, en la campana extractora o en el ventilador aspirador. Limpie la campana extractora con frecuencia para evitar que la grasa u otros materiales inflamables se acumulen en la campana o en el filtro. Encienda el ventilador cuando cocine alimentos flameados debajo de la campana.

Tenga cuidado cuando use vestimentas de materiales inflamables a fin de evitar que se prendan fuego. Las ropas sueltas o de mangas largas no deben usarse cuando se está cocinando. La vestimenta se puede encender o enganchar en los mangos de los utensilios.



Siempre coloque las parrillas del horno en la posición deseada cuando el horno esté frío. Deslice la parrilla del horno hacia afuera para agregar o retirar alimento, usando toallas secas y resistentes. Siempre evite alcanzar dentro del horno para agregar o retirar alimentos. Si una parrilla debe ser sacada cuando está todavía caliente, use una toalla seca. Siempre apague el horno después de haber terminado de cocinar.

Tenga cuidado cuando abra la puerta del horno. Deje que escape el aire o el vapor caliente antes de sacar o volver colocar el alimento.

INSTRUCCIONES IMPORTANTES DE SEGURIDAD 5

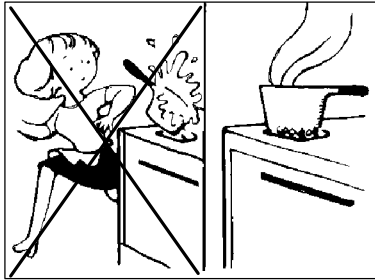
UTENSILIOS APROPIADOS

Use sartenes con fondos planos y mangos que sean fáciles de tomar y que permanezcan fríos. Evite usar sartenes u ollas inestables, combadas que se pueden volcar fácilmente u ollas cuyos mangos estén sueltos. Los utensilios que son pesados de mover cuando están llenos con alimento pueden también constituir un peligro.

Asegúrese de que el utensilio sea lo suficientemente grande como para contener en forma debida los alimentos y evitar derrames. El tamaño es particularmente importante cuando se utilizan freidoras. Asegúrese de que el utensilio tenga capacidad para el volumen de alimentos que se vayan a agregar al igual que para las burbujas que se forman en la grasa.

Para reducir a un mínimo las quemaduras y que los materiales inflamables y los derrames se enciendan debido a

contacto no intencional con el utensilio, los mangos no deben extenderse sobre el quemador superior adyacente. Siempre gire los mangos de los utensilios hacia el lado o hacia la parte trasera de la estufa, no hacia la habitación donde puede ser fácilmente golpeados o alcanzados por los niños pequeños.



Nunca deje que un utensilio hierva hasta quedar seco pues esto puede dañar el utensilio y la estufa.

Siga las instrucciones del fabricante cuando use bolsas para cocinar en el horno.

Solamente ciertos tipos de utensilios de vidrio cerámico, de cerámica o glaseados son convenientes para uso en la cubierta de la estufa o en el horno sin quebrarse debido al cambio repentino de temperatura.

Este artefacto ha sido probado respecto a su rendimiento seguro usando utensilios de cocina convencionales. No use ningún dispositivo o accesorio que no haya sido específicamente recomendado en este manual. No use tapas para cubrir los quemadores superiores, parrillas para la cubierta de la estufa ni agregue sistemas de convección para hornos. El uso de dispositivos o accesorios que no son expresamente recomendados en este manual, puede crear serios peligros de seguridad, resultar en problemas de rendimiento y reducir la vida útil de los componentes de la estufa.

SEGURIDAD PARA LA LIMPIEZA

Apague todos los controles y espere que se enfríen las piezas de la estufa antes de tocarlas o limpiarlas. No toque las rejillas de los quemadores o las áreas circundantes hasta que no hayan tenido tiempo suficiente de enfriarse.

Limpie la estufa con cuidado. Tenga cuidado para evitar quemaduras de vapor si se usa una esponja o un paño mojado para limpiar los derrames en una superficie caliente. Algunos limpiadores pueden producir vapores nocivos cuando se aplican a una superficie caliente.

AVISO Y ADVERTENCIA IMPORTANTE SOBRE SEGURIDAD

La (Propuesta 65) de la Ley de 1986 del Estado de California sobre Seguridad y Contaminación del Agua Potable (California Safe Drinking Water and Toxic Enforcement Act of 1986) exige que el Gobernador de California publique una lista de las sustancias que según el Estado de California causan cáncer o daño al sistema reproductor y exige a las empresas que adviertan a sus clientes de la exposición potencial a tales sustancias.

Se advierte a los usuarios de esta estufa que la combustión del gas puede resultar en exposición de bajo nivel a algunas de las sustancias publicadas en la lista, incluyendo benceno, formaldehído y hollín, debido principalmente a la combustión incompleta del gas natural o de los combustibles de petróleo licuado. Los quemadores ajustados en forma debida reducirán la combustión incompleta. La exposición a estas sustancias puede también ser reducida a un mínimo ventilando los quemadores al exterior en forma adecuada, abriendo las ventanas y/o la puerta en la habitación en donde está ubicado el artefacto.

AVISO IMPORTANTE RESPECTO A LOS PAJAROS DOMESTICOS:

Nunca mantenga los pájaros de jaula en la cocina o en habitaciones hasta donde puedan llegar los humos de la cocina. Los pájaros tienen un sistema respiratorio muy sensitivo. Los humos producidos durante el ciclo de autolimpieza del horno pueden ser perjudiciales o mortales para los pájaros. Los humos que despiden el aceite de cocina, la grasa, la margarina cuando se sobrecalientan y la vajilla antiadherente sobrecalentada pueden tambien ser perjudiciales.

CONSERVE ESTAS INSTRUCCIONES

SISTEMA DE ENCENDIDO

Los quemadores superiores pueden encenderse ya sea usando **fósforos** o mediante encendido **piezoeléctrico sin luz piloto**. Asegúrese de que todas las perillas de control estén en la posición "OFF" (Apagado) antes de suministrar gas al artefacto. Asegúrese de que el suministro de gas a la estufa esté abierto antes de encender el quemador.

COMO ENCENDER EL QUEMADOR SUPERIOR

A fin de evitar daño a la cubierta o al utensilio:

- Nunca encienda el quemador superior sin colocar un utensilio sobre él.
- Nunca deje que un utensilio hierva hasta que se seque todo el líquido que contenga.
- Nunca use el quemador superior en el ajuste "HI" (Alto) durante períodos de tiempo prolongados.

ATENCIÓN: Si el quemador no enciende dentro de 4 segundos o si la llama se apagara cuando esté cocinando, apague el quemador. Si se ha acumulado gas y se detecta un fuerte olor a gas, abra la ventana y espere 5 minutos para que desaparezca el olor a gas antes de volver a encender el quemador.

Si la estufa no ha sido usada por un tiempo, puede que sea difícil encender el quemador superior debido a que puede haber aire en la tubería del gas.

Para extraer el aire de la tubería:

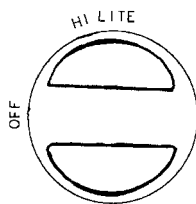
1. Coloque un fósforo encendido cerca del quemador.
2. Gire la perilla de control del quemador superior a la posición "LITE" (Encendido).
3. Cuando se encienda el quemador, gire la perilla de vuelta a la posición "OFF" (Apagado).
4. Continúe como se indica a continuación.

Para encender el quemador superior con un fósforo:

1. Coloque un utensilio en la rejilla del quemador.
2. Coloque un fósforo encendido cerca de la cabeza del quemador superior que desea encender.

ATENCIÓN: No gire la perilla de control a la posición encendido dejando escapar el gas antes de encender el fósforo.

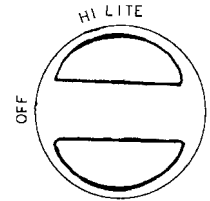
3. Oprima hacia adentro y gire la perilla de control del quemador superior a la posición "LITE" (Encendido).
4. Cuando el quemador se encienda, ajuste la perilla entre "HI" (Alto) y "LOW" (Bajo) para seleccionar el tamaño deseado de la llama.



5. Después de cocinar, gire la perilla de control del quemador superior a la posición "OFF" (Apagado).

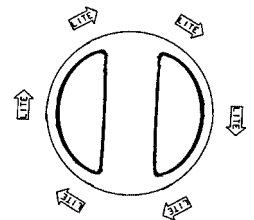
Para encender el quemador superior con encendedor piezoeléctrico:

1. Coloque un utensilio en la rejilla del quemador.
2. Oprima hacia adentro y gire la perilla de control del quemador superior a la posición "LITE" (Encendido).



IMPORTANTE: Solamente encienda un quemador superior a la vez.

3. Inmediatamente gire la perilla del ENCENDEDOR DEL QUEMADOR SUPERIOR a la derecha (en sentido de las manecillas del reloj) haciendo varios clics hasta que el quemador se encienda. El quemador debe encenderse después de 6 clics o después de una vuelta completa de la perilla.
4. Cuando el quemador se encienda, ajuste la perilla de control entre "HI" (Alto) y "LOW" (Bajo) para seleccionar el tamaño deseado de la llama.
5. Después de cocinar, gire la perilla de control del quemador superior a la posición "OFF" (Apagado).



Para encender el quemador si el encendedor piezoeléctrico no está funcionando:

1. Asegúrese de que todos los controles estén en la posición "OFF" (Apagado).
2. Coloque un fósforo encendido junto a la cabeza del quemador superior que desea encender.

ATENCIÓN: No gire la perilla de control a la posición encendido dejando escapar el gas antes de encender el fósforo.

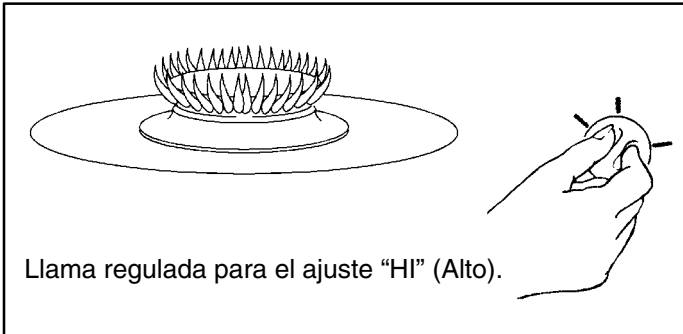
3. Oprima hacia adentro y gire la perilla de control del quemador superior a la posición "LITE" (Encendido).
4. Cuando el quemador se encienda, ajuste la perilla de control entre "HI" (Alto) y "LOW" (Bajo) para seleccionar el tamaño deseado de la llama.
5. Después de cocinar, gire la perilla de control del quemador superior a la posición "OFF" (Apagado).

INSTRUCCIONES PARA EL CIERRE

Cuando el vehículo recreacional no esté en uso o durante los viajes, gire todas las perillas a la posición "OFF" (Apagado) y cierre el suministro de gas principal.

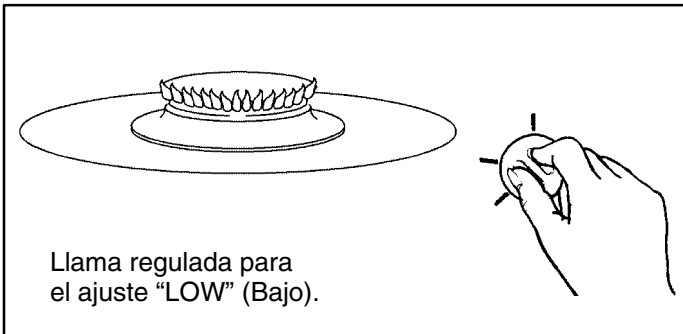
SELECCION DEL TAMAÑO DE LA LLAMA

Use un ajuste de llama "HI" (Alto) para hacer hervir líquidos en forma rápida o para comenzar a cocinar. Luego reduzca a un ajuste más bajo para continuar cocinando. **Nunca deje el alimento que está cocinando desatendido cuando esté usando un ajuste de llama "HI" (Alto).**



Para continuar cocinando se usa una llama de tamaño intermedio. **El alimento no se cocinará más rápido cuando se usa un ajuste de llama más alto que el necesario para mantener un hervor suave.** Recuerde, el agua hierve a la misma temperatura ya sea que esté hirviendo suavemente o vigorosamente.

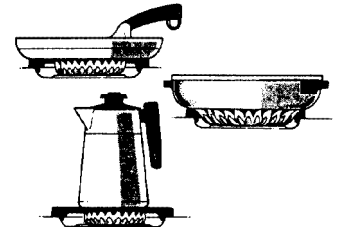
Use el ajuste "LOW" (Bajo) para cocinar a fuego lento o mantener los alimentos a la temperatura de servirlos.



Si se gira una perilla muy rápidamente del ajuste "HI" (Alto) al "LOW" (Bajo), la llama se puede apagar, especialmente si el quemador está frío. Si esto ocurre, gire la perilla a la posición "OFF" (Apagado). Espere varios segundos, luego encienda el quemador nuevamente.

AJUSTE DE LA LLAMA

Ajuste el tamaño de la llama de modo que no se extienda más allá del borde del utensilio de cocinar. Esto es una medida de seguridad personal y para evitar posible daño a la estufa, al utensilio o a los armarios situados arriba de la estufa. Esto también mejora el rendimiento de la cocción.



TIPOS DE UTENSILIOS

Los utensilios que se extienden más de una pulgada fuera de la rejilla, que descansan en dos rejillas o tocan la cubierta causarán acumulación de calor y resultará en daño a la parrilla del quemador, al quemador y a la cubierta.

ATENCIÓN: El tamaño máximo de utensilio es una sartén de 10 pulgadas.

Para evitar daño a la cubierta y a las válvulas del quemador, no use ollas para cocinar conservas u ollas de gran tamaño. La olla no debe ser más de una pulgada más grande que la rejilla del quemador.

Los utensilios tales como un "wok" provisto de un soporte, que restrinja la circulación del aire alrededor del quemador causará acumulación de calor y puede resultar en daño a la rejilla del quemador, al quemador o a la cubierta.

Los alimentos se cocinan más rápidamente cuando están tapados porque se retiene más calor. Reduzca el tamaño de la llama cuando tape el utensilio. Esto también mejora el rendimiento de la cocción.

El rendimiento de la cocción es en gran parte afectado por el tipo de utensilio que se usa. El utensilio correcto reducirá el tiempo de cocción, usará menos energía eléctrica y los alimentos quedará cocinados de manera más uniforme. Para obtener mejores resultados use un utensilio de metal de calibre grueso con un fondo suave y plano, lados derechos y una tapa que ajuste bien. Seleccione un material tal como aluminio o cobre que conduce el calor rápida y uniformemente.

SYSTÈME D'ALLUMAGE

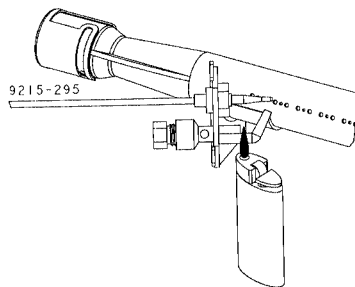
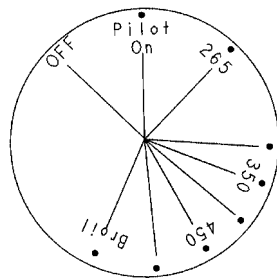
L'allumage du four se fait par une veilleuse. S'assurer que tous les boutons de réglage sont bien sur OFF (arrêt) avant d'ouvrir l'alimentation en gaz. S'assurer que l'alimentation en gaz est bien ouverte avant d'allumer la veilleuse ou le brûleur.

ALLUMAGE DE LA VEILLEUSE

Si l'appareil n'a pas été utilisé pendant un certain temps, il est possible que la veilleuse du four soit difficile à allumer en raison de présence d'air dans la conduite. Pour éliminer cet air, suivre les indications de la page 6 sous " ALLUMAGE DES BRÛLEURS DE LA SURFACE DE CUISSON ", où il est expliqué en détail comment éliminer l'air des conduites de gaz.

Allumage de la veilleuse du four :

1. S'assurer que tous les boutons de réglage sont bien sur OFF (arrêt).
2. Pousser sur le bouton de réglage du four et le mettre sur la position PILOT ON (veilleuse allumée).
3. Ouvrir la porte du four et localiser la veilleuse du four (sous le fond du four, à gauche du brûleur). **Tout en poussant le bouton,** tenir la flamme d'une allumette près de la veilleuse (voir l'illustration) pendant 10 à 15 secondes ou jusqu'à ce qu'une petite flamme soit visible lorsqu'on cesse d'appuyer sur le bouton.



REMARQUE : Une veilleuse qui prend trop de temps à s'allumer peut signaler la nécessité d'éliminer l'air de la conduite de gaz. Pour des explications détaillées, voir le paragraphe ci-dessus " ALLUMAGE DE LA VEILLEUSE ".

4. Une fois la veilleuse allumée, laisser le bouton sur PILOT ON si l'on désire utiliser le four.

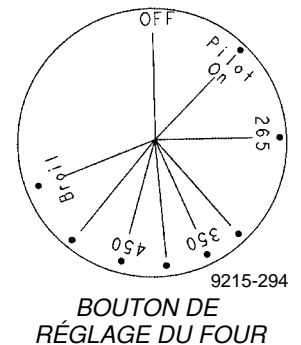
La veilleuse reste allumée si le bouton du four est laissé sur PILOT ON (veilleuse allumée). S'il est mis sur OFF (arrêt), l'alimentation en gaz de la veilleuse est interrompue et celle-ci s'éteint.

CARACTÉRISTIQUES DU FOUR

Chaque four a ses caractéristiques et votre four neuf risque peu de fonctionner exactement comme l'ancien. Ils se peut que les temps et températures de cuisson doivent être modifiés et que les résultats obtenus soient légèrement différents. Prévoir une période d'ajustement. Pour toutes questions sur les résultats de cuisson, des renseignements complémentaires sont fournis pages 9, 10, et 11.

BOUTON DE RÉGLAGE DU FOUR

Le bouton de réglage sert à sélectionner et maintenir la température du four. Le pousser, puis le mettre sur la température désirée, sans d'abord le tourner sur une température plus élevée pour ensuite redescendre. Ceci assure plus de précision dans la température du four.



Régler ce bouton sur PILOT ON (veilleuse allumée) si l'on désire utiliser le four. La veilleuse reste allumée. Régler le bouton sur OFF (arrêt) si le four ne va pas être utilisé ou avant de partir en voyage.

PÉRIODES DE NON-UTILISATION

Lorsque le véhicule de plaisance n'est pas utilisé ou sur la route, mettre le bouton de réglage du four sur la position OFF (arrêt) et couper l'alimentation en gaz. Ceci éteint la veilleuse du four.

PREPARACION DEL HORNO

1. Cuando el horno esté frío, coloque la parrilla.
2. Oprima y gire la perilla "OVEN" (Horno) a la temperatura deseada para hornear, asar o a "BROIL" (Asar) para asar a la parrilla.

Para hornear: Si se selecciona una temperatura más alta que la deseada NO precalentará más rápidamente el horno y puede tener un efecto negativo en los resultados del horneado.

Para asar a la parrilla: La perilla "OVEN" (Horno) puede ser girada a una temperatura más baja (400 a 450°F) para asar a la parrilla carnes o carne de ave que demora más en asarse o si ocurre humo o salpicaduras excesivas.

3. Para hornear: Coloque el alimento en el centro del horno, dejando una o dos pulgadas entre el utensilio y las paredes del horno.

Para asar a la parrilla: Coloque la asadera en el área del asador, directamente debajo del quemador del horno.

Cuando el horno está en uso, el área del respiradero del horno se puede sentir tibia o caliente al tacto. No bloquee esta área ni la abertura del respiradero pues esto podría afectar los resultados del horneado.

4. Verifique si los alimentos están cocinados en el tiempo mínimo indicado en la receta. Cocine por más tiempo si es necesario.
5. Retire el alimento del horno y gire la perilla "OVEN" (Horno) a la posición "PILOT ON" (Piloto Encendido) o a la posición "OFF" (Apagado).

PRECALENTAMIENTO

El precalentamiento es necesario para el horneado. Gire la perilla "OVEN" (Horno) a la temperatura deseada y espere entre 10 y 15 minutos para que el horno se precaliente.

Si se selecciona una temperatura más alta que la deseada NO precalentará más rápidamente el horno y puede tener un efecto negativo en los resultados del horneado. No es necesario precalentar el horno para asar al horno o a la parrilla.

USO DE PAPEL DE ALUMINIO

No cubra el panel inferior del horno ni toda la parrilla del horno con papel de aluminio.

SUGERENCIAS PARA EL HORNEADO

Use una **receta segura** y mida con exactitud los ingredientes frescos. **Siga cuidadosamente las instrucciones** para la temperatura del horno y el tiempo de cocción. Precaliente el horno si se recomienda.

Use la **parrilla en la posición correcta**. Hay dos o tres posiciones del estante, dependiendo del modelo. Se pueden afectar los resultados del horneado si se usan las posiciones incorrectas de las parrillas.

- Use la posición inferior de la parrilla para la mayoría del horneado. Use la posición superior de la parrilla para galletas o bizcochos horneados en una bandeja de horno.
- El dorado superior de los alimentos puede ser más oscuro si los alimentos se colocan hacia la parte superior del horno.
- El dorado inferior de los alimentos puede ser más oscuro si los alimentos se colocan hacia el panel inferior del horno.

Materiales y tamaños de los utensilios. Siempre use el tipo y tamaño de utensilio indicado en la receta. Se pueden afectar los tiempos de cocción o los resultados de la cocción cuando se usa el tamaño incorrecto.

El tamaño máximo de utensilio recomendado es un molde de 13 x 9 x 2 pulg. o una bandeja de hornear de 14 x 10 x 2 pulg.

- Los **utensilios de metal brillante** alejan el calor de los alimentos, producen un dorado más claro y una corteza más blanda. Use utensilios brillantes para hornear pasteles o galletas. Para obtener los mejores resultados del horneado, hornee las galletas y los bizcochos en una bandeja de hornear **plana**. Si la bandeja tiene lados, tal como un molde para hornear un "brazo de gitano", el dorado puede que no sea uniforme.
- Los **utensilios de metal oscuro** o un **utensilio con el fondo anodizado (opaco)** absorben el calor, producen dorados más oscuros y una corteza más crujiente. Use este tipo de utensilio para hornear tartas, masas para tartas o pan.
- Si usa **utensilios de vidrio resistentes al horno** o **utensilios oscuros tales como de la marca "Baker's Secret"** reduzca la temperatura del horno en 25°F, excepto cuando hornee tartas o pan. Use el mismo tiempo de horneado indicado en la receta.

Deje que el aire caliente circule libremente por todo el horno para obtener los mejores resultados. Los utensilios grandes o la colocación incorrecta de los utensilios en el horno bloqueará la circulación del aire y puede producir dorado no uniforme. Para obtener un óptimo dorado y una cocción uniforme:

- No coloque demasiados utensilios en una misma parrilla. Además, no obstruya la circulación del aire al usar utensilios demasiado grandes.
- Deje una a dos pulgadas entre el utensilio y las paredes del horno.

Verifique el progreso del horneado en el momento mínimo indicado en la receta. Si es necesario continúe verificando a intervalos hasta que todos el alimento esté cocinado. Si se abre la puerta del horno con mucha frecuencia, el calor escapará del horno; esto puede afectar los resultados del horneado y desperdicia energía.

PROBLEMAS COMUNES DEL HORNEADO Y SUS CAUSAS

PROBLEMA	CAUSA
<i>Los pasteles no quedan parejos.</i>	<ul style="list-style-type: none"> • Los utensilios se tocaban entre sí o tocaban las paredes del horno. • El batido se vació en forma dispereja en el molde. • La temperatura era muy baja o el tiempo de horneado muy corto. • El horno no está nivelado. • No se mezcló bien el batido. • Demasiado líquido.
<i>Los pasteles quedan levantados en el centro.</i>	<ul style="list-style-type: none"> • Temperatura muy alta. • Tiempo de cocción demasiado largo. • Se mezcló demasiado el batido. • Demasiada harina. • Los utensilios se tocaban entre sí o tocaban las paredes del horno. • Posición incorrecta de las parrillas.
<i>Los pasteles se bajan.</i>	<ul style="list-style-type: none"> • Demasiada manteca o azúcar • Falta o sobra líquido. • Temperatura muy baja. • Polvo de hornear demasiado antiguo o insuficiente. • Molde demasiado pequeño. • La puerta del horno se abrió con demasiada frecuencia. • Se agregó un tipo incorrecto de aceite al batido. • Se agregaron ingredientes al batido o a la receta.
<i>Los pasteles, galletas, bizcochos no se doran uniformemente.</i>	<ul style="list-style-type: none"> • Posición incorrecta de la parrilla. • La puerta no se cerró bien. • La junta de la puerta no es hermética. • Uso incorrecto del papel de aluminio. • No se precalentó el horno. • Los utensilios estaban oscurecidos, abollados o deformados.
<i>Los pasteles, galletas, bizcochos quedan demasiado dorados por abajo.</i>	<ul style="list-style-type: none"> • No se precalentó el horno. • Los utensilios se tocaban entre sí o tocaban las paredes del horno. • Posición incorrecta de las parrillas. • Uso incorrecto del papel de aluminio. • Se colocaron 2 bandejas de hornear en una parrilla. • Se usaron moldes de metal de vidrio, oscuros, deformados o con acabado opaco. (Use una bandeja de hornear brillantes.) <p>Siga las instrucciones del fabricante para la temperatura del horno. Los utensilios de vidrio y los de metal oscuro, tales como 'Baker's Secret' de Ecko requieren que la temperatura se reduzca en 25°F.</p>
<i>Los pasteles no se doran por arriba.</i>	<ul style="list-style-type: none"> • Posición incorrecta de la parrilla. • Temperatura demasiado baja. • Se mezcló demasiado el batido. • Demasiado líquido. • Molde demasiado grande o se colocó insuficiente batido en el molde. • La puerta del horno se abrió con demasiada frecuencia.
<i>Encogimiento excesivo.</i>	<ul style="list-style-type: none"> • Faltó levadura. • Se mezcló demasiado el batido. • Utensilio demasiado grande. • Temperatura muy alta. • Tiempo de horneado prolongado. • Utensilios muy cerca entre sí o muy cerca de las paredes del horno.
<i>Textura dispereja.</i>	<ul style="list-style-type: none"> • Demasiado líquido. • No se mezcló bien el batido. • Temperatura muy baja. • Tiempo de horneado muy corto.
<i>Los pasteles tienen túneles.</i>	<ul style="list-style-type: none"> • Faltó manteca. • Demasiado polvo de hornear. • Se mezcló demasiado el batido o a una velocidad muy alta. • Temperatura muy alta.
<i>Los pasteles quedan crudos en el centro.</i>	<ul style="list-style-type: none"> • Temperatura muy alta. • Utensilio demasiado pequeño. • Tiempo de horneado muy corto. <p>Si se agregaron ingredientes adicionales a la mezcla o a la receta, el tiempo de cocción aumentará.</p>
<i>Los bordes de la corteza de las tartas demasiado dorados.</i>	<ul style="list-style-type: none"> • Temperatura muy alta. • Utensilios muy cerca entre sí o muy cerca de las paredes del horno. • Bordes de la corteza demasiado delgados; proteja con papel de aluminio.
<i>Las tartas no se doran por abajo.</i>	<ul style="list-style-type: none"> • Se usaron utensilios de metal brillantes. • Temperatura muy baja. • Posición incorrecta de la parrilla.
<i>La corteza de las tartas queda húmeda.</i>	<ul style="list-style-type: none"> • Temperatura demasiado baja al comenzar a hornear. • Relleno demasiado líquido. • Se usaron utensilios de metal brillantes.

SUGERENCIAS PARA ASAR AL HORNO

- Asar al horno es el método que se usa para cocinar cortes de carne grandes y tiernos sin cubrirlos y sin agregar humedad. La mayoría de las carnes se asan a 325°F. No es necesario precalentar el horno.
- Use cortes de carne tiernos que pesen tres o más libras. Algunos cortes de carne buenos son: costillas de res, bifos anchos, cuadril, sobrecostilla, lomo de cerdo, pata de cordero, asado de ternera y jamones curados y ahumados.
- Aliñe la carne, si lo desea, ya sea antes o después de asada. Frote el aliño en la superficie del asado si lo va a agregar antes de asarla.
- Coloque la carne con la grasa hacia arriba en una asadera baja. Si la carne se coloca en la asadera sobre una parrilla se mantiene alejada de los jugos que escurren permitiendo una mejor circulación del calor para lograr una cocción uniforme. A medida que se derrite la grasa que está sobre la carne, escurre sobre ella bañándola y evitando que sea necesario ir agregándole jugos posteriormente.
- El tiempo de cocción depende del peso de la carne y del grado de cocción deseado. Para obtener resultados más exactos, use un termómetro de carne. Insértelo de modo que la punta quede en el centro de la parte más gruesa de la carne. No debe tocar la grasa ni algún hueso.
- Retire el asado del horno cuando el termómetro indique aproximadamente 5°F menos que el grado de cocción deseado. Cuando la carne repose, la temperatura aumentará.

NOTA: Para mayor información sobre la seguridad de los alimentos, llame a la línea directa de la división de Carnes de Res y de Ave del Ministerio de Agricultura de los EE.UU. al 1-800-535-4555. Para información sobre métodos de cocción, escriba a la National Live Stock and Meat Board, 444 North Michigan Avenue, Chicago, Illinois 60611.

SUGERENCIAS PARA ASAR A LA PARRILLA

- Asar a la parrilla es un método que se usa para cocinar cortes de carne tiernos mediante calor radiante directo. El tiempo de cocción depende de la distancia entre la carne y el quemador del horno, del grado de cocción deseado y del grosor de la carne.
- Para asar a la parrilla se requiere el uso de la asadera y del inserto. El inserto debe colocarse en la asadera para que la grasa y jugos escurran hacia la asadera y evitar salpicaduras, humo y llamaradas. El uso incorrecto puede causar incendios de grasa.
- Para una limpieza más fácil, forre la asadera con papel de aluminio y rocíe el inserto con un atomizador vegetal antiadherente. No cubra el inserto de la asadera con papel de aluminio pues esto impide que la grasa escurra hacia la asadera.
- Recorte el exceso de grasa y haga cortes en la grasa que quede para evitar que la carne se enrosque y para reducir el humo y salpicaduras. Sazone la carne después de cocinarla.
- Es posible asar a la parrilla los alimentos que demoran en cocinarse tales como chuletas de cerdo si se usa una temperatura baja para evitar que se doren demasiado. Gire la perilla a 400° o 450°F, en vez que a "BROIL" (Asar) cuando desee asar a la parrilla con temperatura baja. Reduzca la temperatura de asar a la parrilla a 400-450°F si se produce mucho humo o salpicaduras.
- La carne debe darse vuelta solo una vez cuando está a medio cocer. Verifique el grado de cocción cortando una ranura en la carne cerca del centro para verificar el color.
- Ver la Tabla de Cuidado y Limpieza en la página 15 para obtener instrucciones sobre la limpieza de la asadera y del inserto.

NOTA: Para comprar la asadera compuesta de dos piezas para su estufa, llene la orden de compra que venía con su vehículo recreacional. Si no recibió la orden de compra, llame al 1-800-688-9900 EE.UU. o 1-800-688-2002 Canadá.

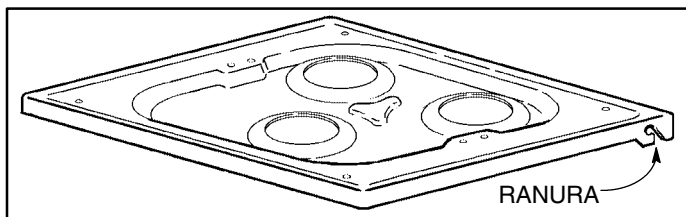
CUBIERTA

ATENCIÓN: A fin de evitar dañar la cubierta, no use ollas para cocer conservas o utensilios de tamaño demasiado grande. El utensilio no debe ser más de una pulgada más grande que la rejilla del quemador. El tamaño máximo del utensilio es una sartén de 10 pulgadas.

A fin de evitar manchas o descoloración, limpie la cubierta después de cada uso. Limpie las manchas ácidas o azucaradas tan pronto como la cubierta se haya enfriado pues estas manchas pueden descolorar o grabar la porcelana.

Para retirar la cubierta:

1. Cuando esté fría, sostenga las dos esquinas delanteras y levántela.
2. Desenganche la ranura situada en la esquina trasera izquierda de la brida de la cubierta de la lengüeta que se encuentra en la pared de la caja del quemador.
3. Luego mueva la cubierta hacia la izquierda para desenganchar la ranura que se encuentra en la brida de la cubierta de la lengüeta situada en la pared de la caja del quemador.

**Para volver a colocar la cubierta:**

1. Inserte la ranura situada en la esquina derecha de la brida de la cubierta en la lengüeta que se encuentra en la pared de la caja del quemador.
2. Baje la parte trasera de la cubierta a su lugar, insertando la ranura situada en la esquina trasera izquierda de la brida de la cubierta en la lengüeta situada en la pared de la caja del quemador.
3. Baje la cubierta a su lugar y aplique una leve presión en las dos esquinas delanteras para asegurar la cubierta en su lugar.

Debido a ciertas condiciones atmosféricas, la cubierta de su estufa puede mostrar señales de oxidación en el lado inferior. Esto puede suceder en áreas de alta humedad y aire salino.

A fin de eliminar este problema, se debe tener cuidado de mantener siempre seco el lado inferior de la cubierta. Esto es especialmente importante en áreas de alta humedad que contribuye a su acumulación en el lado inferior de la cubierta. Si detecta señales de oxidación, hemos descubierto que es una buena idea rociar el lado inferior con una capa de pintura de silicona o antiherrumbre que sea resistente a altas temperaturas.

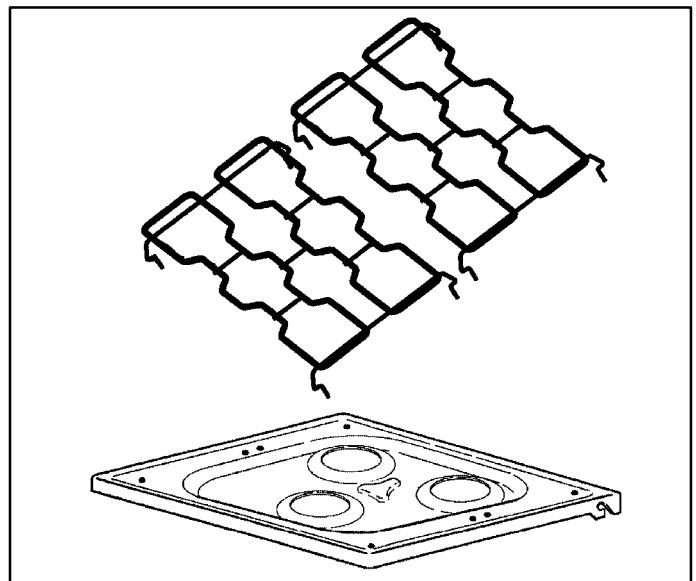
ATENCIÓN: Retire la cubierta de la estufa y rocíela en un lugar bien ventilado.

REJILLAS DE LOS QUEMADORES

ATENCIÓN: No haga funcionar un quemador superior sin tener colocada la rejilla. El acabado de porcelana en la rejilla puede picarse si no tiene un utensilio que absorba el intenso calor proveniente de la llama del quemador.

Instalación de las rejillas:

1. Coloque la rejilla sobre la cubierta, ubicando cada una de las cuatro patas de la rejilla sobre los cuatro anillos negros de plástico.
2. Oprima hacia abajo en cada esquina para asegurar la rejilla en la cubierta.
3. Para evitar que se dañen los anillos, no oprima hacia abajo los cuatro anillos al mismo tiempo.
4. Instale un lado de la rejilla primero y luego el otro.



QUEMADORES SUPERIORES SELLADOS, modelos selectos

La porcelana de los quemadores es durable pero con el pasar del tiempo y con el uso pueden perder gradualmente su brillo.

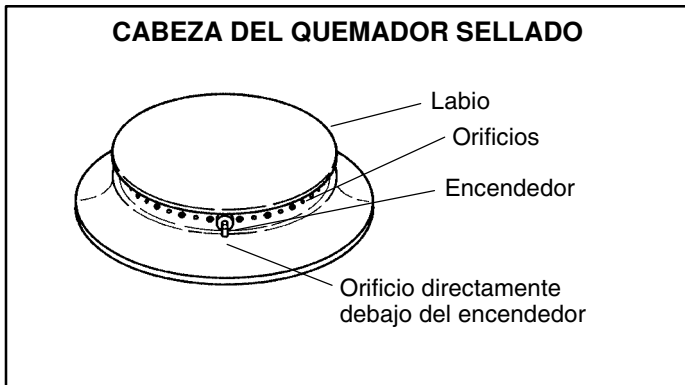
Los tres quemadores superiores sellados están asegurados en la cubierta y NO pueden ser retirados por el consumidor.

Los modelos selectos están equipados con un quemador especial sellado ("POWER BOOST") situado en la parte delantera. Use este quemador cuando desee hervir agua en forma rápida.

Limpie la tapa del quemador después de cada uso, especialmente si ha ocurrido un derrame. Un quemador sucio puede no encender bien o producir una llama no uniforme. Cuando limpie un quemador superior sellado, tenga cuidado para que no dañe el encendedor. Si el paño de limpieza se engancha en el quemador, puede dañarlo o romperlo.

Si el quemador no enciende:

1. El quemador superior no encenderá si el encendedor está dañado, roto, sucio o húmedo. El quemador tampoco encenderá si los orificios, especialmente el orificio pequeño situado directamente debajo del encendedor, están obstruidos.
2. Verifique si los orificios están obstruidos. Si lo están, límpielos con un alfiler derecho o con un sujetapapeles de metal pequeño.

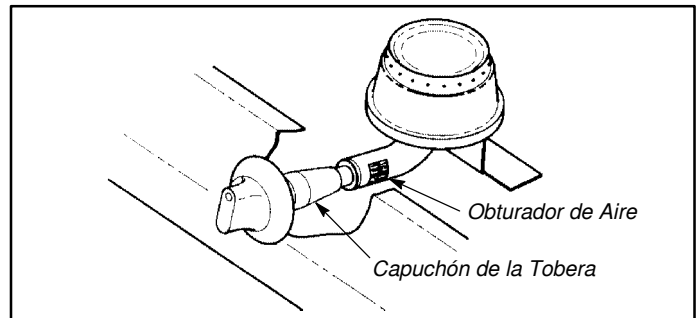


QUEMADORES SUPERIORES COMUNES, modelos selectos

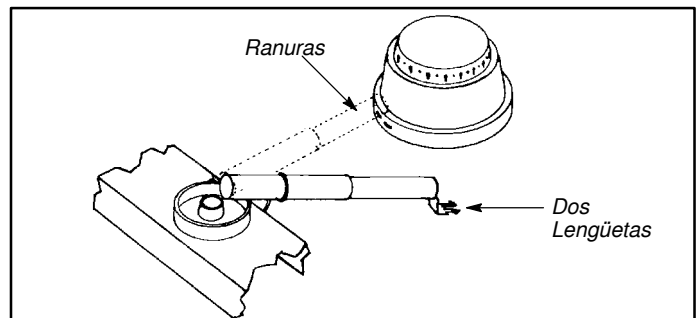
Su estufa de vehículo recreacional o su cubierta tendrá tres quemadores superiores. Cada quemador está asegurado en su lugar con un tornillo. Cuando el quemador esté frío, retire el tornillo antes de retirar el quemador. Cuando vuelva a instalar el quemador superior, asegúrese de que también instale el tornillo.

Si el quemador superior no enciende, verifique si los orificios del quemador están obstruidos. De ser así, límpielos con un alfiler derecho o un sujetapapeles pequeño de metal. Asegúrese de que el piloto permanente esté encendido. Compruebe si el quemador está correctamente instalado.

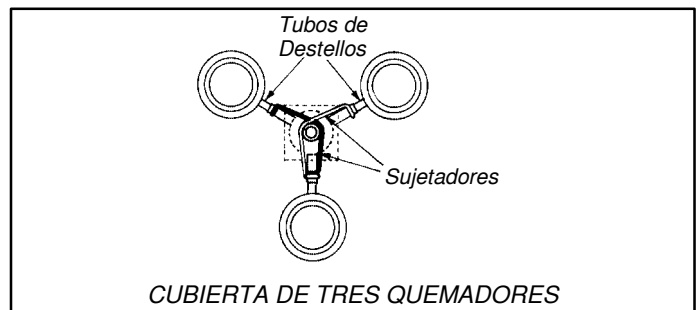
Instalación de los quemadores superiores: El extremo con el obturador de aire del quemador debe colocarse en el capuchón de la tobera.



Instalación de los quemadores superiores con encendido piezoeléctrico: Las dos lengüetas de cada tubo de destellos deben ser insertadas firmemente en las dos ranuras de la cabeza de cada quemador.



Los sujetadores de los tubos de destellos aseguran los tubos en sus lugares. Los sujetadores se encuentran debajo del protector metálico.



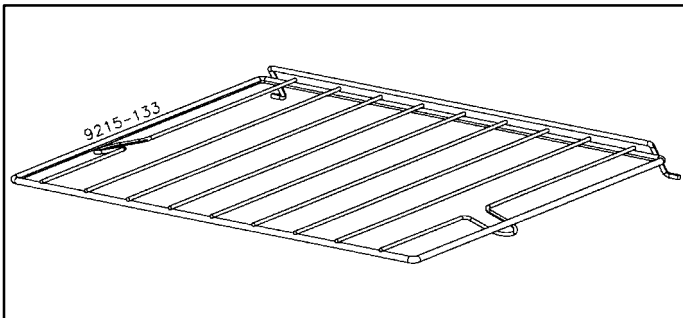
PUERTA DEL HORNO

No coloque peso excesivo en una puerta del horno que esté abierta ni se pare en una puerta del horno que esté abierta pues en ciertos casos la estufa se puede volcar, la puerta se puede romper o se puede causar una lesión grave al usuario.

Cuando abra la puerta del horno, deje que salga el vapor del aire caliente antes de tratar de verificar, agregar o retirar alimento.

PARRILLA DEL HORNO

El horno de su estufa de vehículo recreacional tiene una parrilla que puede ser colocada en dos o tres posiciones. La parrilla del horno ha sido diseñada con un tope de seguridad para evitar que se salga accidentalmente del horno cuando esté tirando de ella hacia fuera para agregar o retirar alimentos. La parrilla también tiene dos lengüetas para evitar que haga ruido durante los viajes.



ATENCIÓN: No intente cambiar la posición de la parrilla cuando el horno esté caliente.

Para retirar la parrilla del horno:

1. Asegúrese de que la parrilla esté fría.
2. Tire de la parrilla derecho hacia afuera hasta el tope. Esto desengancha las dos lengüetas que están en los lados de la parrilla.
3. Inclíne hacia arriba el extremo delantero de la parrilla, luego empuje la parrilla hacia la parte trasera del horno.
4. Levante la parte trasera de la parrilla, luego sáquela del horno.

Para volver a colocar la parrilla del horno:

1. Coloque la parrilla en el horno, **sobre** los soportes de la parrilla.
2. Empuje la parrilla hacia la parte trasera del horno para que descienda a su lugar.
3. Tire de la parrilla hacia delante hasta la posición de tope.
4. Luego, a medida que empuja la parrilla hacia atrás, baje las dos lengüetas situadas **debajo** del soporte de la parrilla. De este modo la parrilla queda segura en su lugar y evitará que haga ruido durante los viajes.

FONDO DEL HORNO

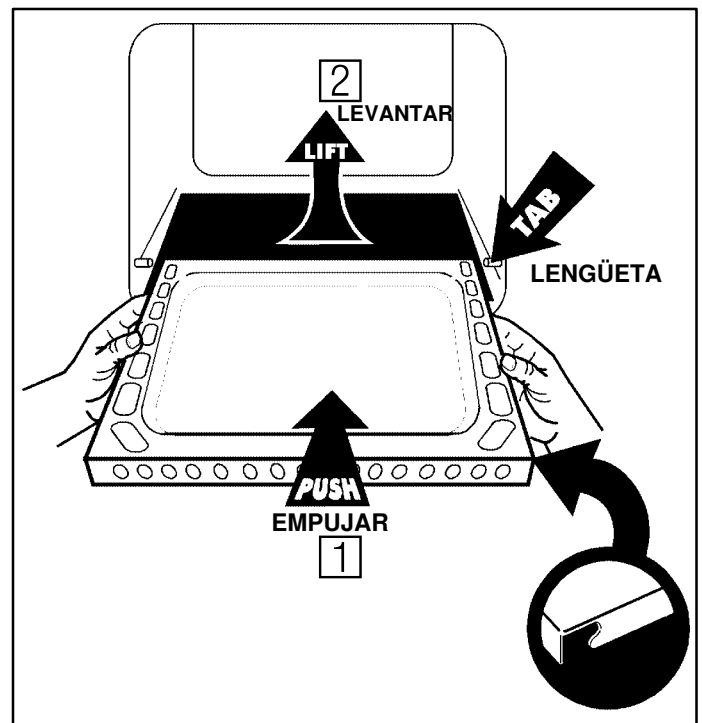
Proteja el panel inferior del horno contra derrames excesivos, especialmente derrames ácidos o azucarados, pues ellos pueden descolorar la porcelana. Use el utensilio de tamaño correcto para evitar derrames. Nunca coloque utensilios o papel de aluminio directamente en el panel inferior del horno.

Para retirar el panel inferior del horno:

1. Cuando esté frío, empuje el panel inferior del horno hacia la parte trasera del horno contra los resortes situados en la pared trasera.

Esto desenganchará el panel inferior del horno de las dos lengüetas que están situadas en las paredes del horno.

2. Luego levante el panel inferior del horno hacia arriba y hacia afuera del horno.



Para volver a colocar el panel inferior del horno:

1. Coloque el panel inferior del horno de modo que los agujeros en la brida queden colocados hacia la parte delantera del horno.
2. Deslice el panel inferior del horno hacia atrás hasta que el borde trasero quede insertado en el soporte situado a través de la parte trasera del horno.
3. Luego empuje la parte trasera del panel inferior del horno contra los resortes y bájelo hacia su lugar.
4. Asegúrese de que cada ranura en la esquina lateral delantera calce firmemente sobre las lengüetas de la pared del horno. Esto bloqueará el panel inferior del horno en su lugar y evitará que haga ruido durante los viajes.

TABLA DE CUIDADO Y LIMPIEZA

PIEZAS	AGENTES DE LIMPIEZA	INSTRUCCIONES
Porcelana esmaltada <ul style="list-style-type: none"> • Puerta del horno • Paneles laterales 	<ul style="list-style-type: none"> • Jabón y agua • Limpiador líquido suave • Limpiavidrios 	<p>Use una toalla o un paño seco para limpiar derrames, especialmente derrames ácidos (leche, jugo de limón, fruta, mostaza, salsa de tomate) o azucarados. La superficie puede perder el color o quedar opaca si la suciedad no se limpia inmediatamente. Esto es especialmente importante para las superficies blancas.</p> <p>Cuando la superficie esté fría, lave con agua tibia jabonosa, enjuague y seque. Para manchas más difíciles, use agentes de limpieza no abrasivos tales como una pasta de bicarbonato de soda y agua o 'Bon Ami'. Si se desea, se puede usar una capa delgada de cera para electrodomésticos suave para proteger los paneles laterales. Se puede usar un limpiavidrios para dar "brillo" a la superficie.</p> <p>NOTA: No use agentes de limpieza abrasivos, cáusticos o ásperos tales como esponjas de lana de acero o limpiadores de horno. Estos productos pueden rayar o dañar permanentemente la superficie.</p> <p>NOTA: Nunca limpie una superficie tibia o caliente con un paño húmedo pues puede dañar la superficie y causar una quemadura por vapor.</p>
Asadera e inserto	<ul style="list-style-type: none"> • Jabón y agua • Esponja de restregar de plástico • Esponja de restregar rellena con jabón • Lavavajillas 	<p>Retire del horno después de su uso. Deje enfriar y luego escurra la grasa. Coloque un paño enjabonado sobre el inserto y la asadera; deje remojar para aflojar la suciedad. Lave en agua tibia con jabón. Use una esponja de restregar rellena con jabón para quitar las manchas difíciles. Lave en el lavavajillas si se desea.</p> <p>NOTA: Para limpieza más fácil, rocíe el inserto con una capa de antiadherente vegetal y forre la asadera con papel de aluminio.</p>
Caja de los quemadores	<ul style="list-style-type: none"> • Jabón y agua • Pasta de bicarbonato de soda y agua • Esponja de plástico no abrasiva • Limpiador líquido • Limpiavidrios 	<p>La caja de los quemadores se encuentra debajo de la cubierta removible. Limpie con frecuencia para quitar los derrames. Si la suciedad no se quita y se deja acumular, se puede dañar el acabado. Para limpiar retire las rejillas y los quemadores superiores y limpie con agua y jabón, enjuague y seque.</p>
Perillas de control	<ul style="list-style-type: none"> • Jabón y agua 	<p>Para sacar las perillas para su limpieza, tire de ellas suavemente hacia adelante. Lave con agua y un detergente suave. No remoje las perillas en agua. No use agentes de limpieza abrasivos. Ellos pueden rayar el acabado y borrar las marcas. Enjuague, seque y vuelva a colocarlas.</p> <p>Encienda todos los quemadores para ver si las perillas han sido colocadas correctamente.</p>
Vidrio <ul style="list-style-type: none"> • Ventana del horno 	<ul style="list-style-type: none"> • Jabón y agua • Pasta de bicarbonato y agua • Limpiavidrios 	<p>Lave con agua y jabón. Use un limpiavidrios y un paño suave después de la limpieza. Quite las manchas difíciles con una pasta de bicarbonato de soda y agua. Enjuague con un paño después de haberlo exprimido en agua limpia. Seque. No use materiales abrasivos tales como esponjas de restregar, lana de acero o agentes de limpieza en polvo.</p> <p>NOTA: Para evitar que el interior del vidrio de la puerta del horno se manche, no impregne demasiado el paño.</p>

TABLA DE CUIDADO Y LIMPIEZA

PIEZAS	AGENTES DE LIMPIEZA	INSTRUCCIONES
Parrillas	<ul style="list-style-type: none"> • Agua y jabón • Esponja de plástico no abrasiva 	<p>Las parrillas están hechas de acero revestido de porcelana. Pueden limpiarse en el fregadero con agua y jabón o en el lavavajillas. Para limpiar suciedad quemada en el horno, coloque una toalla de papel húmeda con jabón sobre la rejilla y déjela reposar durante 30 minutos. Use una esponja de plástico no abrasiva para restregar las manchas difíciles.</p> <p>NOTA: Nunca haga funcionar un quemador sin tener la rejilla en su lugar. Para proteger el acabado de porcelana de la rejilla contra calor excesivo, nunca haga funcionar un quemador superior sin tener un utensilio sobre la rejilla. Es normal que las rejillas pierdan su brillo con el paso del tiempo.</p>
Acabados metálicos <ul style="list-style-type: none"> • Molduras • Panel distribuidor • Cubierta • Puerta del horno 	<ul style="list-style-type: none"> • Agua y jabón • Limpiavidrios 	<p>Lave con agua y jabón. Use un limpiavidrios y un paño suave para retirar las marcas de dedos o vetas. No use limpiadores de horno, agentes cáusticos o abrasivos. Dañarán el acabado.</p> <p>ATENCION: Proteja la tubería de gas de aluminio contra exposición a limpiadores cáusticos tales como limpiadores de horno.</p>
Panel inferior del horno		<p>Proteja el panel inferior del horno (1) usando utensilios lo suficientemente grandes como para evitar derrames; (2) colocando un pedazo de papel de aluminio, que sea ligeramente más grande que el utensilio, en la parrilla inferior. NUNCA coloque papel de aluminio directamente en el panel inferior del horno pues el aluminio se puede derretir. Proteja el panel inferior del horno contra derrames ácidos (leche, queso, tomate, jugo de limón, etc.) o derrames azucarados (reellenos de tartas) pues ellos pueden picar o descolorar el panel inferior del horno. Ver la sección porcelana esmaltada para obtener información adicional.</p>
Parrilla del horno	<ul style="list-style-type: none"> • Agua y jabón • Polvos de limpieza • Esponja de plástico • Esponja de restregar rellena de jabón 	<p>Limpie con agua y jabón. Quite las manchas difíciles con un polvo de limpieza o con una esponja de restregar rellena con jabón. Enjuague y seque.</p>
Acabados de plástico <ul style="list-style-type: none"> • Manija de las puertas • Recubrimientos • Perillas • Tapas de los extremos 	<ul style="list-style-type: none"> • Agua y jabón • Esponja plástica no abrasiva 	<p>Cuando la superficie esté fría, limpie con agua y jabón; enjuague y seque. Use un limpiavidrios y un paño suave.</p> <p>NOTA: Nunca use limpiadores de horno, líquidos abrasivos o cáusticos o limpiadores en polvo en los acabados de plástico. Estos agentes de limpieza rayarán o mancharán el acabado.</p> <p>NOTA: Para evitar manchas o descoloración, limpie la grasa, manteca o ácidos (tomate, limón, vinagre, leche, jugo de frutas, aliños) inmediatamente con una toalla de papel o un paño seco.</p>
Porcelana esmaltada <ul style="list-style-type: none"> • Cubierta • Cavidad del horno 	<ul style="list-style-type: none"> • Agua y jabón • Limpiadores abrasivos suaves • Esponja de plástico • Limpiahornos, usar en el horno solamente • Esponja de restregar rellena con jabón 	<p>Limpie la porcelana con agua y jabón; enjuague. Use limpiadores en polvo o una esponja de restregar de plástico para quitar las manchas difíciles. Limpie las manchas ácidas o azucaradas tan pronto como el área esté fría pues estas manchas pueden descolorar o rayar la porcelana. No use esponjas de restregar metálicas pues ellas pueden rayar la porcelana.</p> <p>Para facilitar la limpieza del horno, coloque una taza de amoníaco en un recipiente de vidrio bajo y deje en el horno frío durante toda la noche. Los vapores del amoníaco ayudarán a aflojar la grasa y los alimentos quemados. Se puede usar limpiahornos en la porcelana del horno solamente. Siga las instrucciones del fabricante. Si se usa un limpiahornos, enjuague completamente la cavidad del horno y el tubo capilar que está ubicado en el panel superior del horno.</p>

TABLA DE CUIDADO Y LIMPIEZA

PIEZAS	AGENTES DE LIMPIEZA	INSTRUCCIONES
Goma de silicona • Empaque de la puerta	• Agua y jabón	Lave con agua y jabón, enjuague y seque. No retire el empaque de la puerta.
Acero inoxidable, modelos selectos • Cubierta • Puerta del horno	• Agua y jabón • Limpiavidrios • Limpiador abrasivo suave	<p>NO USE AGENTES DE LIMPIEZA CON BLANQUEADORES CON CLORO.</p> <p>SIEMPRE FROTE EN DIRECCIÓN A LA TEXTURA DE LA SUPERFICIE.</p> <p>Lave con agua y jabón. Use un limpiavidrios y un paño suave para retirar las marcas de dedos o vetas. Use limpiadores en polvo o una esponja de restregar de plástico para quitar las manchas difíciles. Enjuague y seque. No use limpiadores de horno, agentes de limpieza abrasivos o cáusticos. Estos productos dañarán el acabado.</p> <p>NOTA: Para la decoloración, use un agente de limpieza para el acero inoxidable y un paño suave. Enjuague inmediatamente y seque.</p>
Quemadores superiores, sellados, modelos selectos	• Agua y jabón • Pasta de agua y bicarbonato de soda • Esponja de restregar de plástico • Limpiador abrasivo suave	<p>Para facilitar la limpieza, limpie los quemadores con agua tibia con jabón cada vez que use la cubierta. Si ocurren derrames, retire el utensilio y colóquelo en otro quemador; espere que se enfríe el quemador y limpie. Para quitar manchas difíciles, use un paño seco y un limpiador abrasivo suave. Tenga cuidado para evitar que el limpiador obstruya los orificios. El quemador debe estar seco antes de usarlo.</p> <p>NOTA: Si el quemador no está completamente seco, la punta de la llama puede ser amarilla o deformada.</p> <p>Limpie los orificios de los quemadores con un alfiler derecho o con un sujetapapeles de metal pequeño. No agrande ni modifique los orificios. No use un picadientes de madera pues se puede romper y obstruir el orificio. Si los orificios están obstruidos o sucios, el quemador puede que no encienda en forma debida o la llama no puede ser pareja.</p> <p>Los quemadores sellados no pueden ser retirados por el consumidor. Cuando limpie el quemador, tenga cuidado de evitar que se dañe el encendedor. El quemador superior no encenderá en forma debida si el encendedor se daña, se rompe, o si está sucio o húmedo. Cuando limpie los orificios, asegúrese de limpiar el orificio que está directamente debajo del encendedor.</p>
Quemadores superiores comunes, modelos selectos	• Agua y jabón • Pasta de bicarbonato de soda y agua • Esponja de restregar de plástico • Limpiador abrasivo suave	<p>Para facilitar la limpieza, limpie los quemadores con agua tibia y jabón cada vez que use la cubierta. Si ocurren derrames, retire el utensilio y colóquelo en otro quemador; espere que se enfríe el quemador y limpie. Luego deje enfriar el quemador sucio y después límpielo.</p> <p>Limpie con agua tibia con jabón cuando esté frío después de cada uso. Quite las manchas difíciles restregando con una esponja de restregar de plástico no abrasiva y una pasta de bicarbonato de soda y agua. Limpie los orificios con un alfiler derecho. No agrande ni modifique los orificios. No use un picadientes de madera pues se puede romper y obstruir el orificio. Los quemadores superiores pueden secarse en el horno a una temperatura de 170°F. El quemador debe estar seco antes de usarse.</p>

VERIFIQUE ESTOS PUNTOS ANTES DE SOLICITAR SERVICIO

PROBLEMA	CAUSA	SOLUCION
Quemador superior no enciende.	a. orificio(s) del quemador obstruido(s). b. la perilla de control no fue completamente girada a la posición "LITE" (Encendido) o fue sacada demasiado rápido de la posición "LITE" (Encendido). c. el quemador no encenderá si el encendedor está dañado, sucio, húmedo o si el orificio directamente debajo del encendedor está obstruido.	a. limpie los orificios con un alfiler derecho b. gire la perilla de control a la posición "LITE" (Encendido) hasta que el quemador encienda, luego gire la perilla al tamaño de llama deseado. c. limpie y seque la cabeza del quemador. Si está rota o dañada, llame a un técnico.
La llama del quemador no es pareja.	a. orificio(s) del quemador obstruido(s).	a. limpie los orificios con un alfiler derecho.
La llama del quemador superior se despega del orificio o tiene color amarillo.	a. la mezcla de aire/gas no es correcta. NOTA: Con gas licuado es normal y aceptable que la punta de la llama sea un poco amarilla.	a. llame a un técnico para ajustar el quemador. NOTA: Asegúrese de que el técnico ajustó en forma correcta la estufa en el momento de la instalación.
El quemador del horno no se enciende.	a. el horno no está ajustado correctamente. b. la luz piloto no está encendida.	a. ver página 9. b. luz piloto. Ver página 8.
Se escucha un ruido fuerte cuando se apaga el quemador.	Éste es un ruido normal que ocurre con algunos tipos de gas cuando se apaga un quemador caliente. El ruido fuerte no es un riesgo de seguridad y no dañará la estufa.	
Condensación de humedad en la ventana del horno, si la tiene, cuando el horno está en uso.	a. es normal que la ventana se empañe durante los primeros minutos que el horno está encendido. b. se usó un paño impregnado en agua para limpiar la ventana.	a. deje la puerta abierta durante uno o dos minutos para dejar que escape la humedad. b. use un paño húmedo para limpiar la ventana para evitar que el exceso de agua se escurra entre los paneles de vidrio.
Los resultados del horneado no son satisfactorios. <ul style="list-style-type: none"> el dorado es muy pálido, demasiado oscuro o no uniforme. los alimentos no se cocinan en forma pareja. el alimento queda crudo o muy cocido. 	a. el horno no se precalentó ni se ajustó a la temperatura correcta. b. se usó la posición de parrilla incorrecta. c. uso incorrecto del papel de aluminio. d. el panel inferior del horno fué instalado de manera incorrecta. e. demasiados utensilios en la parrilla; el utensilio demasiado grande. f. el detector del termostato del horno se salió del (de los) sujetador(es).	a. precaliente el horno de 10 a 15 minutos. b. ver página 9. c. ver página 9. d. vuelva a colocar el panel inferior del horno en forma correcta. Ver página 14. e. ver página 9. f. vuelva a instalar el detector del termostato. Consulte la Tabla de Problemas en la página 10 para información adicional
El horno expide demasiado humo cuando se asa a la parrilla.	a. temperatura demasiado alta. b. la carne tiene mucha grasa. c. la salsa se aplicó demasiado pronto o los aliños no se han escurrido completamente. d. la asadera estaba sucia. e. el inserto de la asadera se cubrió con papel de aluminio. f. el área del asador o del horno está sucia.	a. baje la temperatura a 400-450°F. b. recorte la grasa. c. aplique la salsa durante los últimos pocos minutos de la cocción. Si la carne ha sido aliñada, déjela escurrir bien antes de cocinarla. d. siempre limpie la asadera y el inserto después de cada uso. e. nunca cubra el inserto con papel de aluminio pues esto puede evitar que la grasa se escurra hacia la asadera. f. limpie el horno o el área del asador.

VERIFIQUE ESTOS PUNTOS ANTES DE SOLICITAR SERVICIO

PROBLEMA	CAUSA	SOLUCION
El horno se demora en calentar, los resultados del horneado son deficientes, el encendido del quemador es deficiente, la luz piloto no permanece encendida, se produce un ruido fuerte proveniente del quemador superior, carbón en la pantalla del piloto, la llama del quemador es demasiado baja o alta.	a. regulador de presión del gas.	a. pida a su distribuidor de gas que verifique el regulador.
La luz piloto no se enciende ni permanece encendida	a. tubería del piloto. b. regulador de presión del gas. c. perilla del horno.	a. puede estar obstruida, torcida o escape en el conector. b. pida a su distribuidor de gas que verifique el regulador. c. asegúrese que la perilla esté en la posición "PILOT ON" (Piloto Encendido) y no en la posición "OFF" (Apagado).
Olor a gas	a. posible escape o conectores sueltos.	a. ver la información en la portada del manual. Debido a las vibraciones que se producen durante los viajes, las conexiones en un vehículo recreacional pueden aflojarse. Por lo tanto, periódicamente revise todas las conexiones para verificar si hay escapes. Consulte las instrucciones de instalación para los procedimientos adecuados sobre pruebas de escape. NUNCA use un fósforo o llama para verificar los escapes.

Garantía del vehículo recreacional

Garantía

Garantía limitada de un año - Piezas y mano de obra

Durante **un (1) año** a partir de la fecha original de compra al detal, se reparará o reemplazará gratuitamente cualquier pieza que falle durante el uso normal en el hogar.

Residentes canadienses

Las garantías anteriores cubren solamente aquellos electrodomésticos instalados en Canadá que han sido certificados o aprobados por las agencias de pruebas correspondientes para el cumplimiento con la Norma Nacional de Canadá a menos que el electrodoméstico haya sido traído a Canadá desde los EE.UU. debido a un cambio de residencia.

*Las garantías específicas expresadas anteriormente son las **ÚNICAS** garantías provistas por el fabricante. Estas garantías le otorgan derechos legales específicos. Usted puede tener otros derechos que varían de un estado a otro.*

LA ÚNICA Y EXCLUSIVA SOLUCIÓN PARA EL CLIENTE BAJO ESTA GARANTÍA LIMITADA ES LA REPARACIÓN DEL PRODUCTO SEGÚN SE INDICA AQUÍ. LAS GARANTÍAS IMPLÍCITAS, INCLUYENDO LAS GARANTÍAS DE COMERCIALIZACIÓN O DE APTITUD PARA UN PROPÓSITO EN PARTICULAR ESTÁN LIMITADAS A UN AÑO O AL PERÍODO DE TIEMPO MÍNIMO PERMITIDO POR LA LEY. MAYTAG CORPORATION NO SERÁ RESPONSABLE DE DAÑOS INCIDENTALES O CONSECUENTES. ALGUNOS ESTADOS Y PROVINCIAS NO PERMITEN LA EXCLUSIÓN O LIMITACIÓN DE DAÑOS INCIDENTALES O CONSECUENTES O LA LIMITACIÓN DE LA DURACIÓN DE LAS GARANTÍAS IMPLÍCITAS DE COMERCIALIZACIÓN O APTITUD, POR LO QUE ESTAS EXCLUSIONES O LIMITACIONES PUEDEN NO APLICARSE EN SU CASO. ESTA GARANTÍA LE OTORGA DERECHOS LEGALES ESPECÍFICOS. USTED TAMBIÉN PUEDE TENER OTROS DERECHOS QUE VARIAN DE UN ESTADO A OTRO O DE UNA PROVINCIA A OTRA.

Lo que no cubren estas garantías

1. Situaciones y daños resultantes de cualquiera de las siguientes situaciones:
 - a. Instalación, entrega o mantenimiento inapropiados.
 - b. Cualquier reparación, modificación, alteración o ajuste no autorizados por el fabricante o taller de servicio autorizado.
 - c. Mal uso, abuso, accidentes, uso no razonable o hechos fortuitos.
 - d. Corriente, voltaje, suministro eléctrico o suministro de gas incorrectos.
 - e. Ajuste inadecuado de cualquier control.
2. Las garantías quedan nulas si los números de serie originales han sido retirados, alterados o no se pueden determinar fácilmente.
3. Bombillas, filtros de agua y filtros de aire.
4. Los productos comprados para uso comercial o industrial.
5. El costo del servicio o llamada de servicio para:
 - a. Corregir errores de instalación. Para los productos que requieran ventilación, se deben usar conductos de metal rígido.
 - b. Instruir al usuario en el uso adecuado del producto.
 - c. Transporte del electrodoméstico al establecimiento de servicio y de regreso.
6. Cualquier pérdida de alimentos debido a fallas del refrigerador o congelador.
7. Costos de viaje y transporte de servicio en áreas remotas.
8. Esta garantía no se aplica fuera de los Estados Unidos y Canadá. Póngase en contacto con su distribuidor para determinar si se aplica cualquier otra garantía.
9. Los daños consecuentes o incidentales sufridos por cualquier persona como resultado del incumplimiento de esta garantía. En algunos estados no se permite la exclusión o limitación de daños consecuentes o incidentales, por lo tanto la limitación o exclusión anterior puede no aplicarse en su caso.

Si necesita servicio

Primero revise la sección de localización y solución de averías en su guía de uso y cuidado o llame al distribuidor donde adquirió el electrodoméstico. También puede llamar a Maytag Services, LLC, Atención al cliente, al 1-800-688-9900 en EE.UU. y al 1-800-688-2002 en Canadá para ubicar a un agente de servicio calificado.

- Asegúrese de conservar el comprobante de compra para verificar el estado de la garantía. Consulte la sección sobre la GARANTÍA para mayor información sobre las responsabilidades del propietario para obtener servicio bajo la garantía.
- Si el distribuidor o la compañía de servicio no pueden resolver el problema, escriba a Maytag Services, LLC, Attn: CAIR® Center, P.O. Box 2370, Cleveland, TN 37320-2370 o llame al **1-800-688-9900 en EE.UU. y al 1-800-688-2002 en Canadá.**
- Las guías del propietario, manuales de servicio e información sobre las piezas pueden solicitarse a Maytag Services, LLC, Atención al cliente.

Notas: Cuando llame o escriba acerca de un problema de servicio, por favor incluya la siguiente información:

- a. Su nombre, dirección y número de teléfono;
- b. Número de modelo y número de serie;
- c. Nombre y dirección de su distribuidor o técnico de servicio;
- d. Una descripción clara del problema que está experimentando;
- e. Comprobante de compra (recibo de compra).