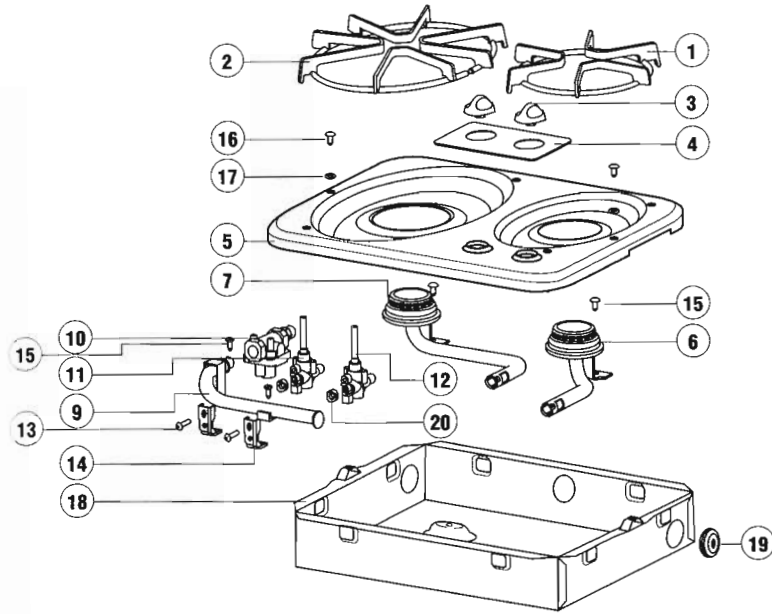
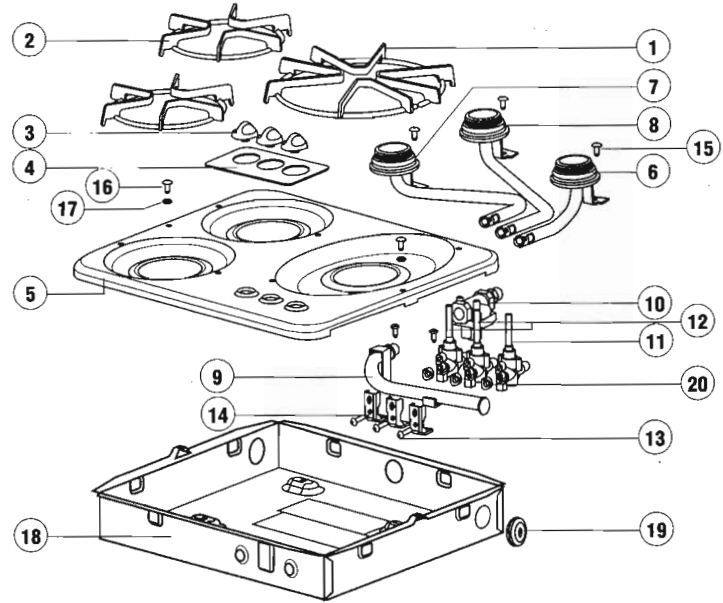


DV 20



DV 30



ITEM	DESCRIPTION	DV20	DV30
1	Round Grate	56378	56378 (1)
2	Oval Grate	56379	56379
3	Burner Knob	56380 (2)	56380 (3)
4	Label	56388	56491
5	Top - WHITE	56376	56375
	Top - BLACK	56496	56474
	Top - STAINLESS STEEL	57099	57102
6	Right Burner	56385	56483
7	Left Front Burner	56384	56482
8	Left Rear Burner	NA	56481
9	Manifold Pipe	56383	56478
10	Regulator	51062	51062
11	Valve 7200 Btu/h	56468	56468
12	Valve 5200 Btu/h	56469	56469 (2)
13	Screw-Valve	56480 (2)	56480 (3)
14	Valve Bracket	56479 (2)	56479 (3)
15	Screw-Burner	51325 (4)	51325 (5)
16	Screw-Top	56377 (2)	56377 (2)
17	Nylon Washer	52434 (2)	52434 (2)
18	Burner Box	56498	56476
19	Inlet Pipe Grommet	92610	92610
20	Gasket, Valve	56366 (2)	56366 (3)