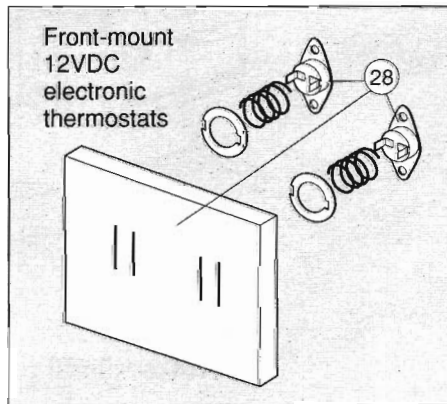
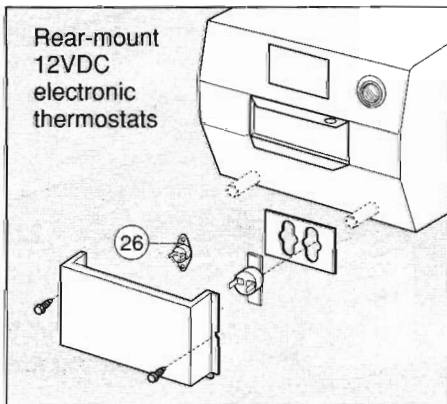
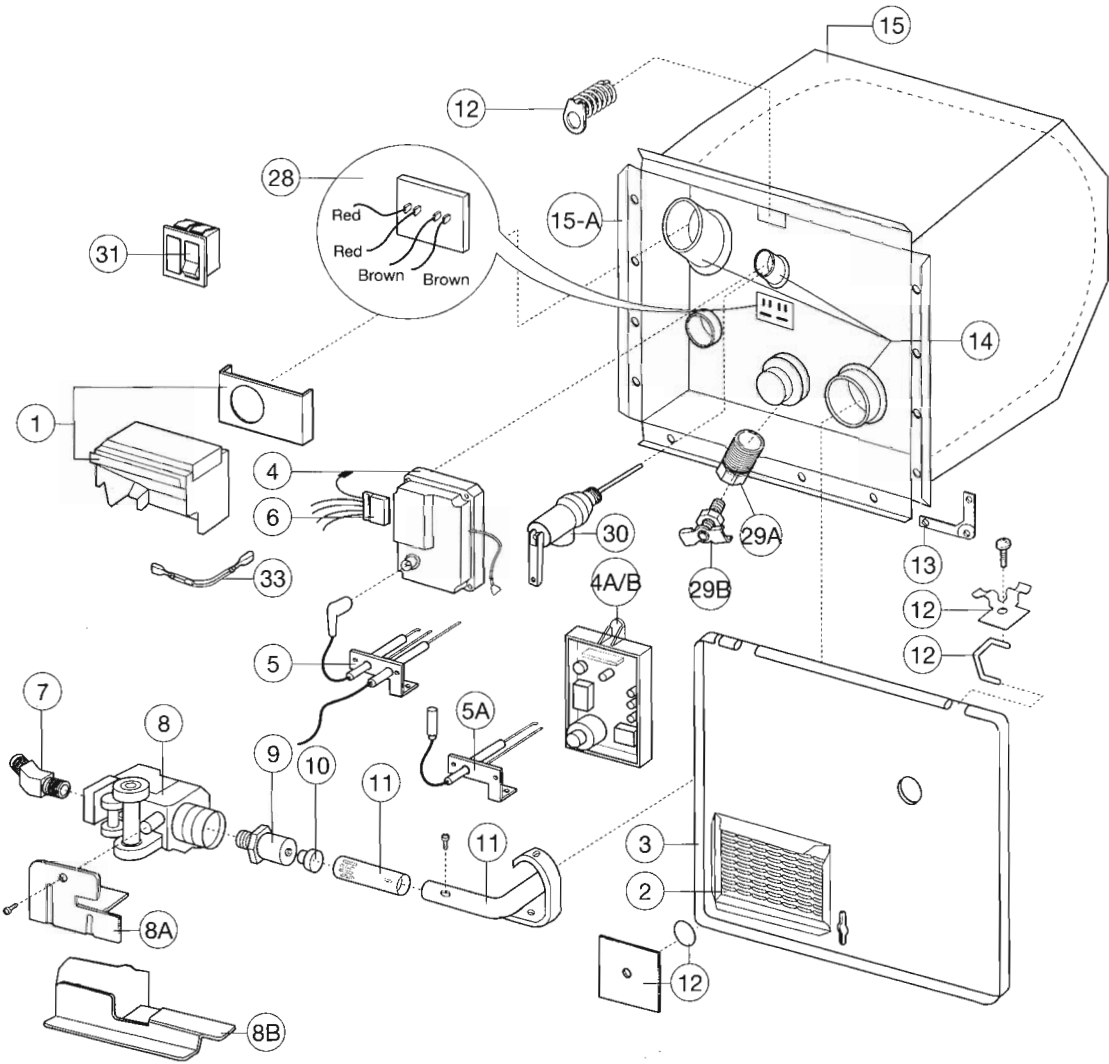


ELECTRONIC Water Heater

6 - 10 gallon



First number in matrix refers to illustration number, the second is the part number.

Electronic Water Heaters

REPLACEMENT PART REFERENCE
September 2003

		GC6A-4E, GCH6-6E, GCH6-7E, GC6A-7E	GH6-6E, GH6-7E, GH6-8E	G6A-6E, G6A-7E, G6A-8E	GCH6A-7E, GCH6A-8E, GCH6A-9E	GC6AA-7E, GC6AA-8E, GC6AA-9E	GCH10A-2E, GCH10A-3E, GC10A-2E, GC10A-3E	G10-1E, GH10-1E	G610-3E, GH610-3E	G10-2E G10-3E	GC10-1E, GC10-2E	GH10-2E, GH10-3E	G6A-2E, GH6-3E	G6A-3E, GH6-3E, GH6-4E, G6A-4E	GCH6A-10E, GC6AA-10E	GC10A-4E, GCH10A-4E
	91470	130° Front Mount thermostat (not shown)	X	X	X	X	X	X	X	X	X	X	X	X	X	X
	93105	Adjustable Thermostat (retrofits front-mount thermostats) (not shown)	X	X	X	X	X	X	X	X	X	X			X	X
	92610	Gas Line Grommet (not shown)	X	X	X	X	X	X	X	X	X	X			X	X
1	90960	Flue Box and Gasket	X	X	X	X	X	X	X	X	X	X	X	X	X	X
2	92640	Grille, New Style in Door	X	X	X	X	X	X		X	X	X			X	X
3	91514	Access Door (6 Gal.) Colonial White	X	X	X	X							X		X	
3	93993	Access Door (10 Gal.)					X	X	X	X	X	X				X
4	91420	Potted Circuit Board (post electrode connection)	<i>No Longer Available (Use 91504)</i>													
4A	93865	Potted Circuit Board (Spade Electrode Connection)	X	X	X	X	X	X	X	X	X	X	X	X		
4B	93851	Potted Circuit Board - Combo													X	X
5	91606	Electrode (Remote Sense)	<i>No Longer Available (Use 91504)</i>													
5A	93868	Electrode (Local Sense)	X	X	X	X	X	X	X	X	X	X	X	X	X	X
6	93919	Wiring Harness	<i>No Longer Available (Use 93189)</i>													
6	93189	Wiring Harness	X	X	X	X	X	X	X	X	X	X	X	X		
6	93191	Wiring Harness Combo													X	X
7	91044	45° Elbow 3/8"	X	X	X	X	X	X	X	X	X	X	X	X	X	X
8	93870	White Rodger Valve (6 & 10 Gal.)	X	X	X	X	X	X	X	X	X	X	X	X	X	X
8A	93243	Gas Valve Bracket - (6 Gal.) (Use with 93870)	X	X	X	X	X						X	X	X	
	93862	Gas Valve Bracket - (10 Gal.) (Use with 93870)								X	X	X	X	X		X
8B	94787	Gas Valve Bracket - 1 piece				X	X	X		X		X	X		X	X
9	91563	Orifice Holder	X	X	X	X	X	X	X	X	X	X	X	X	X	X
10	92742	Main Burner Orifice 6 Gallon	X	X	X	X	X								X	
10	93914	Main Burner Orifice 10 Gallon					X	X	X	X	X					X
11	91638	Main Burner 6 Gallon	X	X	X	X	X								X	
11	92615	Main Burner 6 Gallon									X	X				
11	96206	Main Burner 10 Gallon				X	X		X	X		X				X
12	91858	Door Hardware Kit	X	X	X	X	X	X	X	X	X	X	X	X	X	X
13	91928	Set of 4 Corner Brackets	X	X	X	X	X	X	X	X	X	X	X	X	X	X
14	96010	Ring & Gasket Kit for service tank	X	X	X	X	X	X		X	X	X	X	X	X	X
15	92220	Styrofoam tank cover - bottom	X	X	X	X	X								X	
	92221	Styrofoam tank cover - top	X	X	X	X	X								X	
	91238	Styrofoam tank cover - bottom					X	X	X	X	X	X	X			X
	91239	Styrofoam tank cover - top					X	X	X	X	X	X	X			X

SERVICE TANK KIT

PART NUMBERS

REPLACEMENT PART REFERENCE

September 2003

	91411	91412	91591	91592	91593	91596	91641	91642	93950	93952	93953	94205	91059	91053	91060	91028
MODELS																
GAS																
G6A-2, G6A-3, G6A-6, G6A-7		●														
G10-1, G10-2												●				
GAS PILOT-RELIGHT																
G6A-6P, G6A-7P		●														
GC6AA-7P, GC6AA-8P			●													
GAS/PILOT RELIGHT COMBINATION																
GC10-2P						●										
G10-1P, G10-2P												●				
GC10A-2P, GC10A-3P						●										
GAS & ELECTRONIC IGNITION																
GH10-1E, GH10-2E, GH10-3E										●						
G10-1E, G10-2E, G10-3E									●							
G6A-4E, G6A-6E, G6A-7E, G6A-8E							●									
GH6-4E, GH6-6E, GH6-7E, GH6-8E								●								
GAS/ELECTRIC & ELECTRONIC IGNITION																
GCH6-4E, GCH6-6E, GCH6-7E				●												
GC6A-7E					●											
GCH10A-4E																●
GCH10A-1E, GCH10A-2E, GCH10A-3E											●					
GC10A-4E															●	
GC10A-1E, GC10A-2E, GC10A-3E											●					
GC10-1E, GC10-2E											●					
GCH10-2E											●					
GAS/ELECTRIC COMBINATION																
GC6A-3, GC6A-6, GC6A-7, GC6AA-7, GC6AA-8		●														
GCH6A-7E, GCH6A-8E, GCH6A-9E				●												
GCH6A-10E															●	
GC6AA-7E, GC6AA-8E, GC6AA-9E					●											
GC6AA-10E													●			
GC10-1, GC10-2						●										
GC10A-2, GC10A-3						●										
HEAT EXCHANGE																
GH6-3, GH6-6, GH6-7	●															

INNER TANK INCLUDES THE FOLLOWING:

- All tanks include the insulation jacket, rings and gaskets.
- On all combination gas/110VAC tanks, in addition to the items mentioned above, they will also come equipped with the 110VAC heating components attached (junction box, thermostat, ECO and heating element).