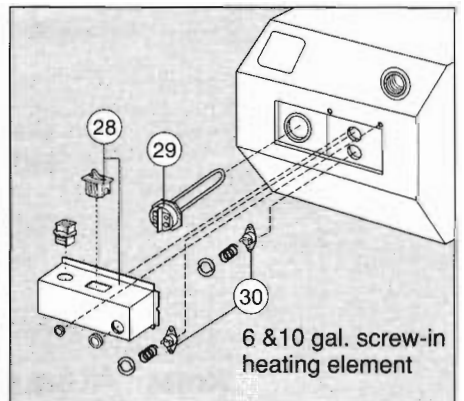
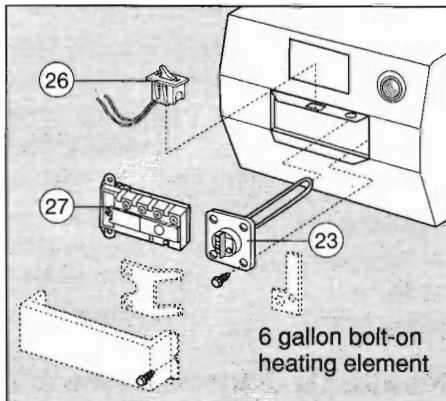
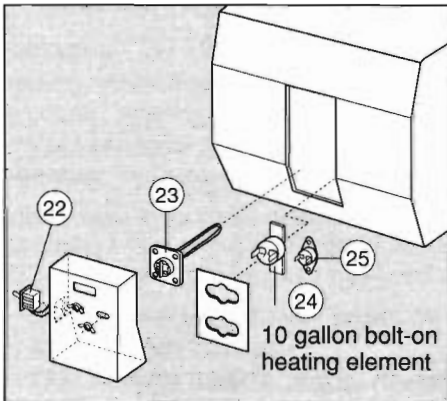
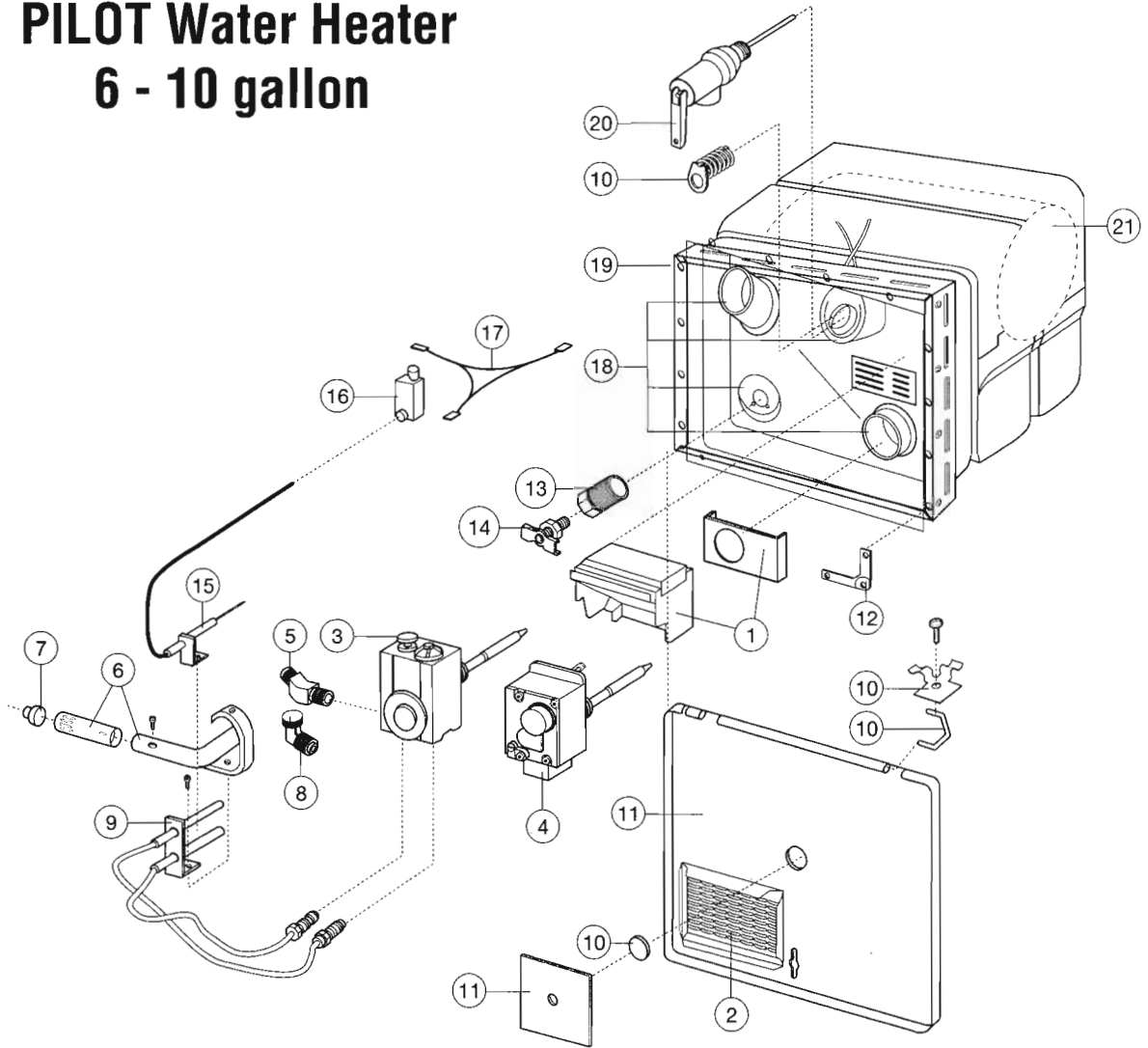


First number in matrix refers to illustration number, the second is the part number.

# PILOT Water Heater 6 - 10 gallon



# Pilot Water Heaters

**REPLACEMENT PART REFERENCE**  
**September 2003**

		GC6A, GC6A-3, GC6A-6, GC6A-7	G6A, G6A-2, G6A-3, G6A-6, G6A-6P, G6A-7, G6A-7P	GH6-3, GH6-6, GH6-7	GC6AA-7, GC6AA-7P	GC6AA-8, GC6AA-8P	G610-3, G610-3E, GH610-3	G10B, G10C	GC10A-2	GC10A-2P	GC10-1, GC10-2, GC10-2P	G10-1, G10-1P, G10-2, G10-2P	G4SM
	93212	Piezo Ignitor Kit - battery operated (not shown) Retrofits on all pilot model water heaters											
	92616	Robertshaw Pilot - not shown											
	92973	X	X				X						
	93923	E.C.O.											
	92610	X	X	X	X	X	X	X	X	X	X	X	X
	91346	Elbow Bushing - 1/4" inlet, 3/8" outlet											
	91285	X	X	X	X	X			X	X	X	X	
1	90960	X	X	X	X	X	X	X	X	X	X	X	X
2	92640	X	X	X	X	X	X		X	X	X	X	X
3	91602	X	X	X	X	X	X	X	X	X	X	X	X
4	91601	X	X	X	X	X	X	X	X	X	X	X	X
5	91044						X	X					X
	91347	X	X	X	X	X							X
6	92615	X	X	X	X	X		X					
	93221								X	X	X	X	
7	92742	X	X	X	X	X							
	93914							X	X	X			
8	91441								X	X	X	X	
	92741	X	X	X	X	X							X
9	91603	X	X	X	X	X	X						X
10	91858	X	X	X	X	X	X		X	X	X	X	X
11	91514	X	X	X	X	X	X						X
	93993								X	X	X	X	
12	91928	X	X	X	X	X	X	X	X	X	X	X	X
13	91857	Measure drain coupling											
14	92698	Measure drain coupling											
15	93804		X										X
16	93801		X										X
17	93803		X										X
18	96010	X	X	X	X	X							X
19	91796	X	X	X	X	X							X
	93935								X	X	X	X	
20	91604	X	X	X	X	X	X	X	X	X	X	X	X
21	91174	Fiberboard Jacket (6 Gal.)											
	91240	X	X	X	X	X							X
	91241	X	X	X	X	X							X
	93912	Fiberboard Jacket (10 Gal.)											
		No Longer Available (Use 91238 & 91239)											

# Pilot Water Heaters

**REPLACEMENT PART REFERENCE**  
**September 2003**

			GC6A, GC6A-3, GC6A-6, GC6A-7	G6A, G6A-2, G6A-3, G6A-6, G6A-6P, G6A-7, G6A-7P	GH6-3, GH6-6, GH6-7	GC6AA-7, GC6AA-7P	GC6AA-8, GC6AA-8P	G610-3, G610-3E, GH610-3	G10B, G10C	GC10A-2	GC10A-2P	GC10-1, GC10-2, GC10-2P	G10-1, G10-1P, G10-2, G10-2P	G4SM
21	91238	Styrofoam tank cover - bottom						X	X	X	X	X	X	
	91239	Styrofoam tank cover - top						X	X	X	X	X	X	
22	91182	110VAC On/Off Switch & Jct Box (10 Gal.)									X			
23	91580	110 VAC Element (Bolt-on)	X									X		
24	92942	110VAC E.C.O. Switch								X	X	X		
25	92943	110VAC 140° Thermostat								X	X	X		
26	92857	110VAC On/Off Switch (6 Gal.)												
	92858	110VAC On/Off Switch (10 Gal.)												
26	91092	110VAC On/Off Switch (6 Gal.)	X			X	X							
	91089	110VAC On/Off Switch (10 Gal.)								X	X	X		
27	91853	110 VAC Thermostat (Rectangle)	X									X		
28	91116	110VAC On/Off Switch & Jct Box (6 Gal.)					X							
29	91160	110 VAC Element/Gasket (screw-in)												
29	92249	110 VAC Element/Gasket (screw-in)				X	X			X	X			
30	91873	Thermostat/E.C.O. 110 VAC				X	X			X	X	X		
N/S	93297	Conversion to Pilot 6 gallon 110VAC												
N/S	93299	Conversion to Pilot 10 gallon 110VAC												
N/S	91591	Conversion to Pilot 6 gallon 110VAC	X											
N/S	91596	Conversion to Pilot 10 gallon 110VAC										X	X	

# SERVICE TANK KIT PART NUMBERS

REPLACEMENT PART REFERENCE  
September 2003

MODELS	91411	91412	91591	91592	91593	91596	91641	91642	93950	93952	93953	94205	91059	91053	91060	91028
<b>GAS</b>																
G6A-2, G6A-3, G6A-6, G6A-7		•														
G10-1, G10-2												•				
<b>GAS PILOT-RELIGHT</b>																
G6A-6P, G6A-7P		•														
GC6AA-7P, GC6AA-8P			•													
<b>GAS/PILOT RELIGHT COMBINATION</b>																
GC10-2P						•										
G10-1P, G10-2P												•				
GC10A-2P, GC10A-3P						•										
<b>GAS &amp; ELECTRONIC IGNITION</b>																
GH10-1E, GH10-2E, GH10-3E										•						
G10-1E, G10-2E, G10-3E									•							
G6A-4E, G6A-6E, G6A-7E, G6A-8E							•									
GH6-4E, GH6-6E, GH6-7E, GH6-8E								•								
<b>GAS/ELECTRIC &amp; ELECTRONIC IGNITION</b>																
GCH6-4E, GCH6-6E, GCH6-7E				•												
GC6A-7E					•											
GCH10A-4E																•
GCH10A-1E, GCH10A-2E, GCH10A-3E											•					
GC10A-4E															•	
GC10A-1E, GC10A-2E, GC10A-3E											•					
GC10-1E, GC10-2E											•					
GCH10-2E											•					
<b>GAS/ELECTRIC COMBINATION</b>																
GC6A-3, GC6A-6, GC6A-7, GC6AA-7, GC6AA-8		•														
GCH6A-7E, GCH6A-8E, GCH6A-9E				•												
GCH6A-10E														•		
GC6AA-7E, GC6AA-8E, GC6AA-9E					•											
GC6AA-10E													•			
GC10-1, GC10-2						•										
GC10A-2, GC10A-3						•										
<b>HEAT EXCHANGE</b>																
GH6-3, GH6-6, GH6-7	•															

## INNER TANK INCLUDES THE FOLLOWING:

- All tanks include the insulation jacket, rings and gaskets.
- On all combination gas/110VAC tanks, in addition to the items mentioned above, they will also come equipped with the 110VAC heating components attached (junction box, thermostat, ECO and heating element).