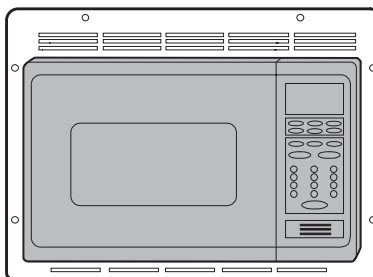




DOMETIC® RV MICROWAVE OVEN



USA
SERVICE OFFICE
The Dometic Corp.
509 So. Poplar St.
LaGrange, IN 46761
219-463-4858

CANADA
Dometic Dist.
866 Langs Dr.
Cambridge, Ontario
CANADA N3H 2N7
519-653-4390

**For Service Center
Assistance Call**
800-544-4881

ITEM		FOR USE WITH:
Trim Frame	(Part No. 3106491.XXX)	Dometic Microwave Oven Model DMS081U1S
Ventilation Guide Duct	(Part No. 3106489.XXX)	
Trim Frame	(Part No. 3106492.XXX)	Dometic Microwave Oven Model DMT113U1B
Ventilation Guide Duct	(Part No. 3106490.XXX)	

INSTALLATION INSTRUCTIONS USING TRIM FRAME

**MODELS
DMS081U1S
DMT113U1B**

INSTALLATION INSTRUCTIONS

1. GENERAL INFORMATION

ELECTRICAL REQUIREMENTS

Observe all governing codes and ordinances. A 120 Volt, 60 Hz AC only, 15 or 20 amp fused electrical supply is required. (Time-delay fuse is recommended.) It is recommended that a separate circuit serving only this appliance be provided.

⚠ WARNING

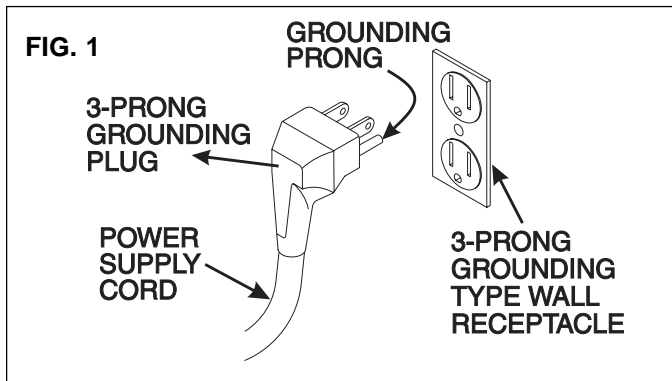
The appliance must be disconnected from the 120V AC power supply before attempting the installation of these parts. These parts are intended for use only with above designated model.

GROUNDING INSTRUCTIONS

⚠ WARNING

Improper use of the grounding plug can result in a risk of electrical shock. DO NOT, UNDER ANY CIRCUMSTANCES, REMOVE THE POWER SUPPLY CORD GROUNDING PRONG.

For your personal safety, this appliance must be grounded. In the event of an electrical short circuit, grounding reduces the risk of electrical shock by providing an escape wire for the electric current. This appliance is equipped with a polarized 3-prong grounding plug.

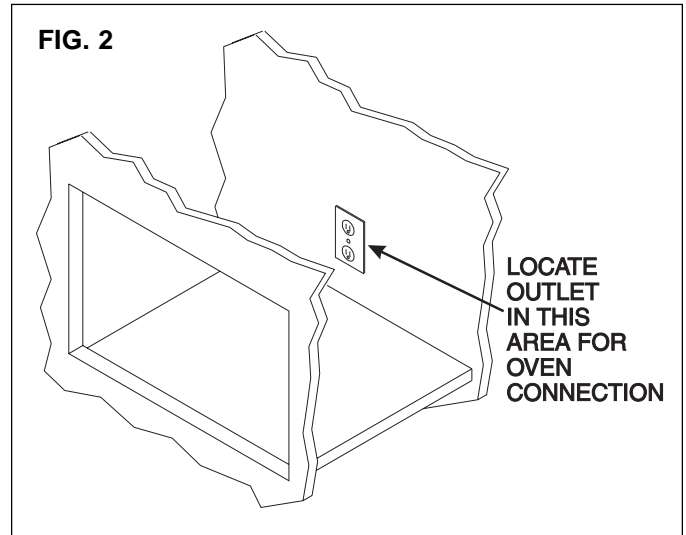


It must be plugged into a correct polarized mating 3-prong grounding type wall receptacle, properly installed and grounded in accordance with the National Electrical code and local codes and ordinances.

If a mating wall receptacle is not available or if you are not sure if the wall receptacle is properly grounded and polarized, have it checked by a qualified electrician.

It is the responsibility and obligation of the customer to have a properly grounded and correctly polarized 3-prong wall receptacle installed by a qualified electrician. See FIG. 1. Consult a qualified electrician if the grounding instructions are not completely understood, or if doubt exists as to whether the appliance is properly grounded.

See Figure 2 for location of electrical outlet inside the opening at the rear.



2. INSTALLATION PROCEDURE

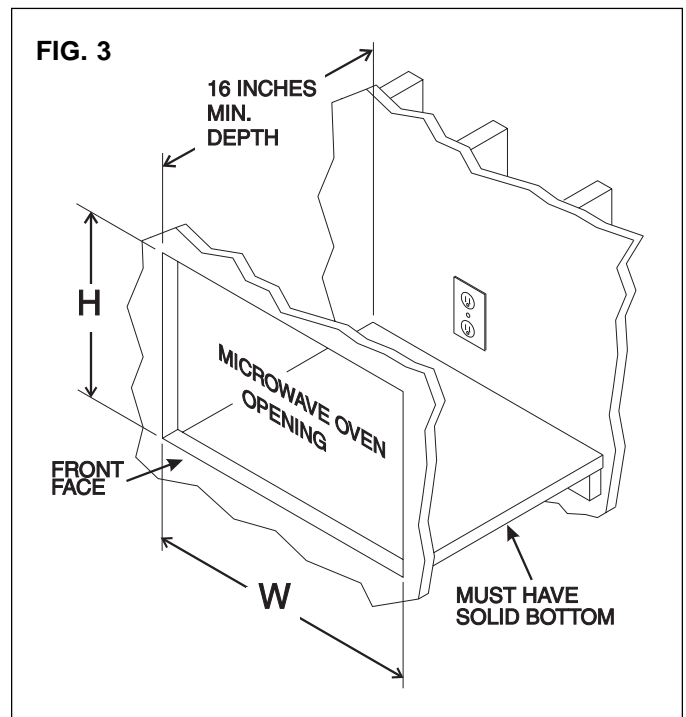
CABINET OR WALL OPENING

The microwave oven cabinet opening should be as follows:

For Model:	Opening Size (Inches)
DMS081UIS	20-1/4" wide X 13-1/2" high
DMT113UIB	21" wide X 14-1/4" high

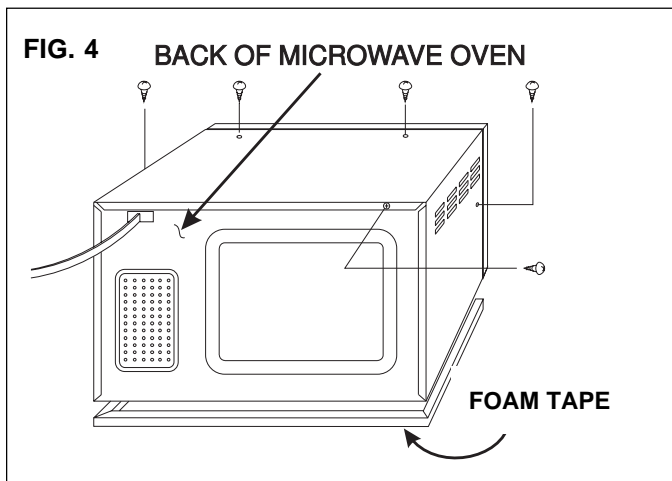
All corners should be square. The floor of the microwave cabinet opening must be plywood and must be level and capable of supporting 100 pounds. See FIG. 3.

NOTE: Opening sizes listed are nominal dimensions. Tolerance on cutout dimensions is +1/4" / - 0".



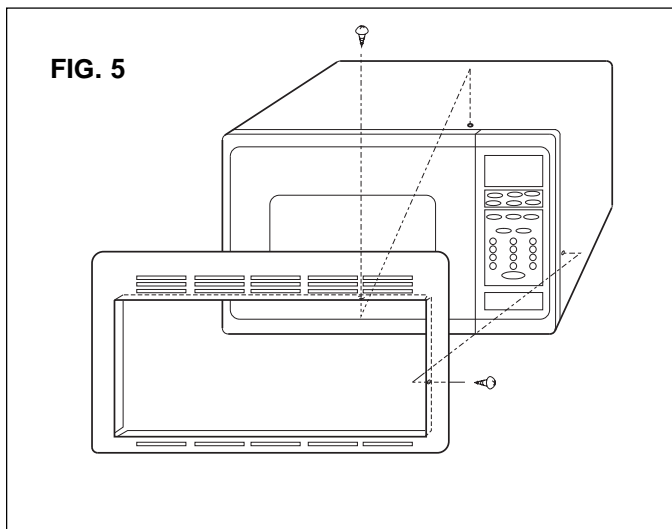
3. REMOVING SCREWS FROM OUTER CASE

- Remove four (4) screws securing the front side of the outer casing. See FIG. 4.
- Remove only one (1) screw securing the outer case. (Right-upper corner on the back plate).
- Place screws to the side to be reinstalled in later step.
- Install foam tape to bottom of microwave along both sides and back edge. See FIG. 4.



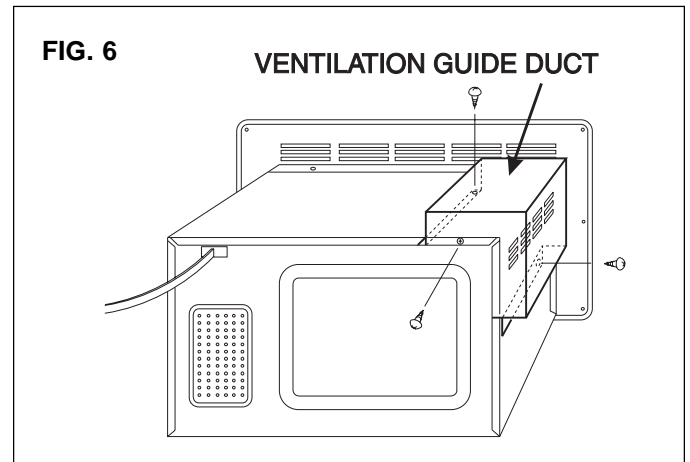
4. MOUNTING OF THE TRIM FRAME

- Insert the trim frame onto the microwave oven as shown in FIG. 5. Make sure the upper side of the trim frame is larger than the lower side.
- Secure the right side of the trim frame with two (2) screws.



5. MOUNTING VENTILATION GUIDE DUCT

- Install the ventilation guide duct as shown in FIG. 6.
- Secure the front side of the ventilation guide duct and left side of the front trim at the same time with two (2) screws.
- Secure the rear side of the ventilation guide duct with one screw.



6. INSTALLATION OF MICROWAVE OVEN IN OPENING

! WARNING
The weight of the microwave oven may exceed your lifting ability. We recommend assistance.

- Plug power cord of microwave oven into grounded receptacle in the rear wall.
- Insert the microwave oven into the cabinet opening. Make sure the trim frame is completely pushed back against the front wall and that the foam tape on the bottom of the oven is still in place.
- Finally, secure the trim frame with six (6) truss head screws (not supplied). See FIG. 7.

