

## TYPICAL APPLICATIONS

Multi-fixture RV potable water installations.  
Other uses may include 12 VDC pressurized water systems in cabins. This pump may be used for general water transfer. For other applications, contact SHURflo.

## PUMP

Type	3 Chamber Diaphragm
Ports	1/2"-14 NPSM-Male
Liquid	130 °F [54 °C] Max
Prime	9 feet [2.7 M]
Inlet PSI	30 PSI [2.1 Bar] Max
Run Dry	Yes

## ELECTRICAL

Motor	12VDC Permanent Magnet, Intermittent Duty	
Protection	Thermal Overload, Automatic Restart	
Leads	16 AWG, 16" [40 cm] Red +, 13" [33 cm] Black -	
Fuse	10 Amp Time Delay Recommended	
Control	Adjustable Switch with Check Valve	
	Shut-Off	45 PSI [3.1 Bar] ± 5 PSI [0.4 Bar]
	Restart	25 PSI [1.8 Bar] ± 5 PSI [0.4 Bar]

## MATERIALS

Housing	Polypropylene
Valves	EPDM
Diaphragm	Santoprene
Hardware	Zinc Plated Steel

## APPROVALS

c-UL

## WARRANTY

2 Year Limited Warranty  
See SB-1041 For Full Warranty Details

## SHIPPING

Net Weight (Boxed)	5 Lb [2.3Kg] each
Carton Weight	12 each, 52 Lb [24 Kg]
Carton Size	24"L x 18"W x 11"H [61 cm x 46cm x 28cm]

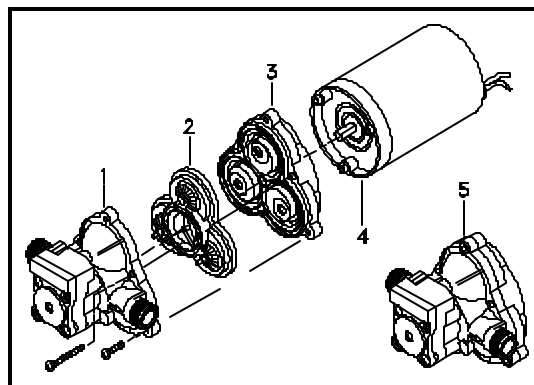
## RELATED DOCUMENTS

Catalog	MS-030-083
Installation Manual	911-352
Maintenance	911-352
Applications Spec Guide	MS-020-005
Warranty	SB-1041

## Aqua King Premier



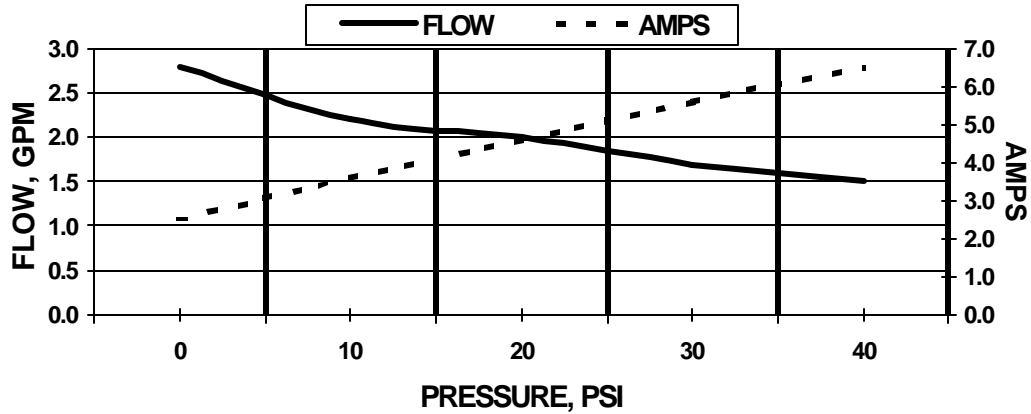
## Parts Kits



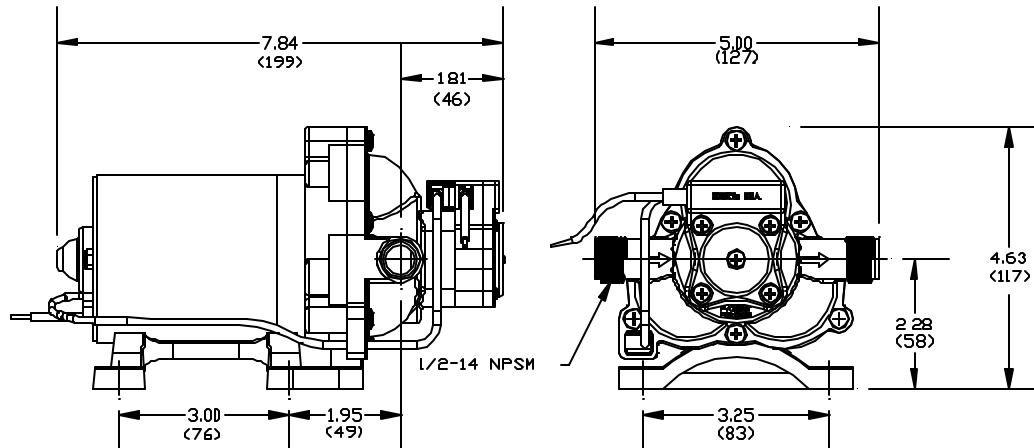
Number	Component	Parts Kit
1	Housing/Switch	94-231-20
2	Valve Assembly	94-232-06
3	Drive Assembly	94-238-05
4	Motor	11-215-00
5	Pump Head	94-236-05
Not Shown	Check Valve	94-237-00

**Typical Performance**

PRESSURE		FLOW		CURRENT
BAR	PSI	GPM	LPM	AMPS
0.0	0	2.8	10.5	2.5
0.7	10	2.2	8.3	3.6
1.4	20	2.0	7.5	4.6
2.1	30	1.7	6.4	5.6
2.8	40	1.5	5.6	6.5



**Typical Dimensions**



\* ISO Registered Facility



SHURflo reserves the right to update specifications, prices, or make substitutions.

SHURflo ★  
12650 Westminster Ave.  
Santa Ana, CA 92706-2100  
(800) 854-3218 (714) 554-7709  
FAX (714) 554-4721  
Shipping/UPS: 12650 Westminster Ave.  
Garden Grove, CA 92843

SHURflo East  
52748 Park Six Court  
Elkhart, IN 46514-5427  
(800) 762-8094  
(219) 262-0478  
FAX (219) 264-2169  
© 2001

SHURflo Ltd.  
Unit 5 Sterling Park  
Gatwick Road, Crawley  
West Sussex, RH10 2QT  
United Kingdom  
+44 1293 424000  
FAX +44 1293 421880