

## TYPICAL APPLICATIONS

Multi-fixture potable water installations.  
Other uses may include 12 VDC pressurized water systems and wash down. This pump may be used for water transfer. For other applications, contact SHURflo.

## PUMP

Type	Double-Head, 3 Chamber Diaphragm
Ports	1/2"-14 NPSM-Male
Liquid	130 °F [54 °C] Max
Prime	9 feet [2.7 M]
Inlet PSI	30 PSI [2.1 Bar] Max
Run Dry	Yes
Manifold	5/8" and 3/4" Barb Available

## ELECTRICAL

Motor	12VDC Permanent Magnet, Intermittent Duty
Protection	Thermal Overload, Automatic Restart
Leads	14 AWG, 16" [40 cm] Red +, 13" [33 cm] Black -
Fuse	25 Amp Time Delay Recommended
Control	Adjustable Switch with Check Valve
	Shut-Off 45 PSI [3.1 Bar] ± 5 PSI [0.4 Bar]
	Restart 35 PSI [2.4 Bar] ± 5 PSI [0.4 Bar]

## MATERIALS

Housing	Polypropylene
Valves	EPDM
Diaphragm	Santoprene
Hardware	Stainless Steel

## APPROVALS

c-UL Marine, Ignition Protected, ISO 8846

## WARRANTY

1 Year Limited Warranty  
See SB-1041 & SB-1050 For Full Warranty Details

## SHIPPING

Net Weight (Boxed)	9.6 Lb [4.4Kg] each
Carton Weight	3 each, 29 Lb [14 Kg]
Carton Size	23"L x 19"W x 8"H [59cm x 49cm x 21cm]

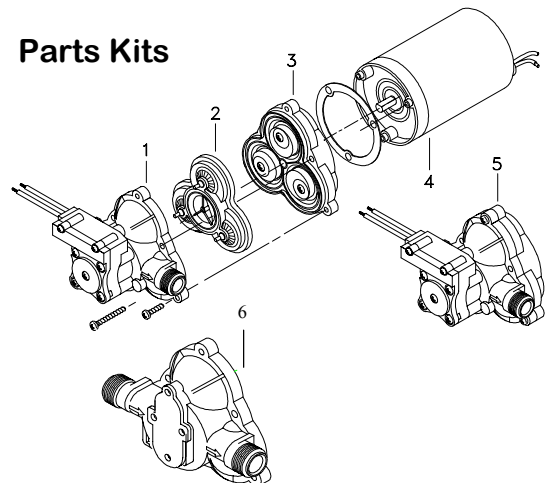
## RELATED DOCUMENTS

Catalog	MS-030-084
Installation Manual	911-560
Maintenance	911-560
Applications Spec Guide	MS-020-005
Warranty	SB-1041/SB-1050

## ULTRAflo



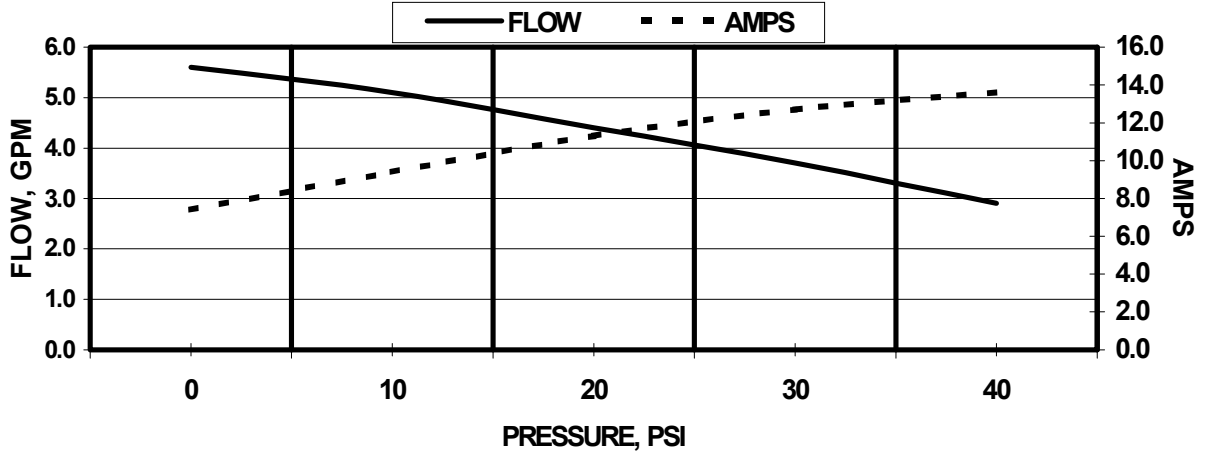
## Parts Kits



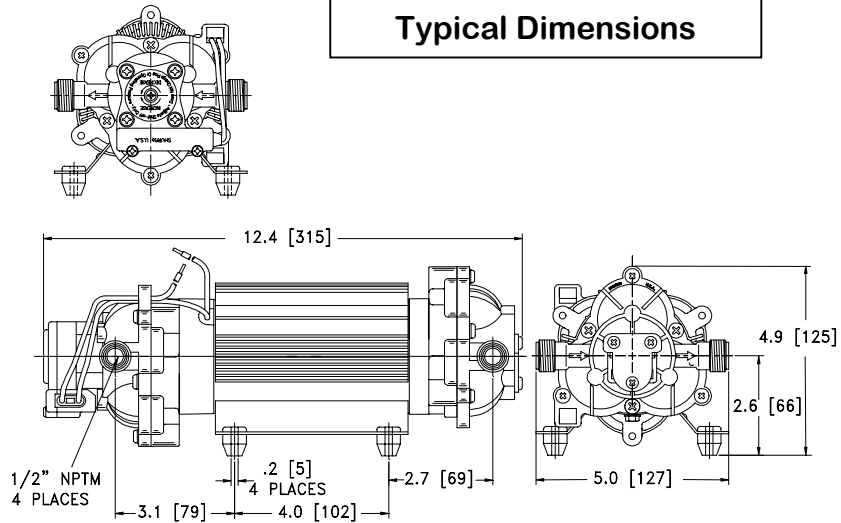
#	Description	12VDC	24VDC
		4000-400-xxx	4000-421-xxx
1	Up. Housing w/ Switch	N/A	94-231-10
2	Valve Assembly	94-232-06	94-232-06
3	Diaph./Drive Assembly	94-238-02	94-238-03
4	Motor	11-253-07	11-258-07
5	Pump Head	94-236-30	94-236-32
6	Up. Housing No Switch	N/A	N/A
	Check Valve	94-237-00	94-237-00
	25 Amp Switch Kit	94-230-41	N/A

**Typical Performance**

PRESSURE		FLOW		CURRENT
BAR	PSI	GPM	LPM	AMPS
0.0	0	5.6	21.1	7.4
0.7	10	5.1	19.3	9.4
1.4	20	4.4	16.6	11.3
2.1	30	3.7	14.0	12.7
2.8	40	2.9	10.9	13.6



**Typical Dimensions**



\* ISO Registered Facility



First in Fluid Innovation

SHURflo reserves the right to update specifications, prices, or make substitutions.

SHURflo ★  
12650 Westminster Ave.  
Santa Ana, CA 92706-2100  
(800) 854-3218 (714) 554-7709  
FAX (714) 554-4721  
Shipping/UPS: 12650 Westminster Ave.  
Garden Grove, CA 92843

SHURflo East  
52748 Park Six Court  
Elkhart, IN 46514-5427  
(800) 762-8094  
(219) 262-0478  
FAX (219) 264-2169  
© 2001

SHURflo Ltd.  
Unit 5 Sterling Park  
Gatwick Road, Crawley  
West Sussex, RH10 2QT  
United Kingdom  
+44 1293 424000  
FAX +44 1293 421880