

INSTALLATION INSTRUCTIONS

FOR BUILT-IN MOUNTING KIT

FOR USE WITH MICROWAVE OVEN HAVING MODEL NO'S CDMW12W / CDMW12B

KIT CONSISTS OF:

KIT NO.	ITEM	P/NO.	Q'TY	FOR USE WITH
3109562.003W (WHITE)	UPPER TRIM	4918W1A009D	1	CDMW12W
	LOWER TRIM	4918W1A010D	1	
	DUCT	5208W2A004A (3108204.003)	1	
	TAPPING SCREWS (Ø4mmX16mm)	1SPTG04031A	4	
	TAPPING SCREWS (Ø4mmX 8mm)	1TTL0402418	7	
3109562.003B (BLACK)	UPPER TRIM	4918W1A009E	1	CDMW12B
	LOWER TRIM	4918W1A010E	1	
	DUCT	5208W2A004A (3108204.003)	1	
	TAPPING SCREWS (Ø4mmX16mm)	1SPTG040317	4	
	TAPPING SCREWS (Ø4mmX 8mm)	1TTL0402418	7	

ELECTRICAL REQUIREMENTS:

OBSERVE ALL GOVERNING CODES AND ORDINANCES A 120 VOLT, 60Hz. AC ONLY. 15 OR 20 AMP FUSED ELECTRICAL SUPPLY IS REQUIRED. (TIME-DELAY FUSE IS RECOMMENDED.) IT IS RECOMMENDED THAT A SEPARATE CIRCUIT SERVING ONLY THIS APPLIANCE BE PROVIDED.

WARNING: THE APPLIANCE MUST BE DISCONNECTED FROM THE SOURCE OF SUPPLY BEFORE ATTEMPTING THE INSTALLATION OF THIS KIT. THE KIT IS INTENDED FOR USE ONLY WITH ABOVE DESIGNATED MODEL.

GROUNDING INSTRUCTIONS

WARNING: IMPROPER USE OF THIS GROUNDING PLUG CAN RESULT IN A RISK OF ELECTRICAL SHOCK
DO NOT, UNDER ANY CIRCUMSTANCES, REMOVED THE POWER SUPPLY CORD GROUNDING PRONG.

FOR YOUR PERSONAL SAFETY, THIS APPLIANCE MUST BE GROUNDED. IN THE EVENT OF AN ELECTRICAL SHORT CIRCUIT, GROUNDING REDUCES THE RISK OF ELECTRICAL SHOCK BY PROVIDING AN ESCAPE WIRE FOR THE ELECTRIC CURRENT. THIS APPLIANCE IS EQUIPPED WITH A POLARIZED 3-PRONG GROUNDING PLUG.

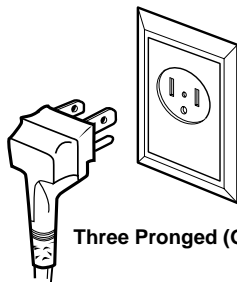


FIGURE 1 Three Pronged (Grounding) Plug

IT MUST BE PLUGGED INTO A CORRECT POLARIZED MATING 3-PRONG GROUNDING TYPE WALL RECEPTACLE, PROPERLY INSTALLED AND GROUNDED IN ACCORDANCE WITH THE NATIONAL ELECTRICAL CODE AND LOCAL CODES AND ORDINANCES.

IF MATING WALL RECEPTACLE IS NOT AVAILABLE OR IF YOU ARE NOT SURE IF THE WALL RECEPTACLES IS PROPERLY GROUNDED AND POLARIZED, HAVE IT CHECKED BY A QUALIFIED ELECTRICIAN. IT IS THE RESPONSIBILITY AND OBLIGATION OF THE CUSTOMER TO HAVE A PROPERLY GROUNDED AND CORRECTLY POLARIZED 3-PRONG WALL RECEPTACLE INSTALLED BY A QUALIFIED ELECTRICIAN. (SEE FIGURE 1) CONSULT A QUALIFIED ELECTRICIAN IF THE GROUNDING INSTRUCTIONS ARE NOT COMPLETELY UNDERSTOOD OR IF DOUBT EXISTS AS TO WHETHER THE APPLIANCE IS PROPERLY GROUNDED. SEE FIGURE 2 FOR LOCATION OF ELECTRICAL OUTLET INSIDE THE OPENING AT THE REAR.

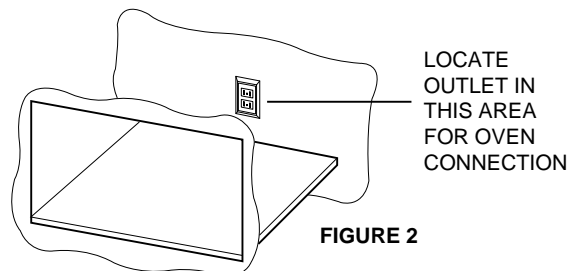


FIGURE 2

INSTALLATION PROCEDURE

1. CABINET OPENING

THE MICROWAVE OVEN OPENING SHOULD BE AS FOLLOWS:

FOR THE MODEL	OPENING SIZE
3109562.003W	518 mm WIDE X 369 mm HIGH
3109562.003B	

SEE FIGURE 3. ALL CORNERS SHOULD BE SQUARE. THE FLOOR OF THE MICROWAVE OPENING MUST BE PLYWOOD AND MUST BE LEVEL AND CAPABLE OF SUPPORTING 100 POUNDS.

- | | W | X | H | X | D |
|-----------------|----------|---|--------|---|--------|
| 1) SET SIZE | : 512 mm | X | 315 mm | X | 394 mm |
| 2) OPENING SIZE | : 518 mm | X | 369 mm | | |
| 3) CABINET SIZE | : 518 mm | X | 369 mm | X | 407 mm |
- (DOTTED)

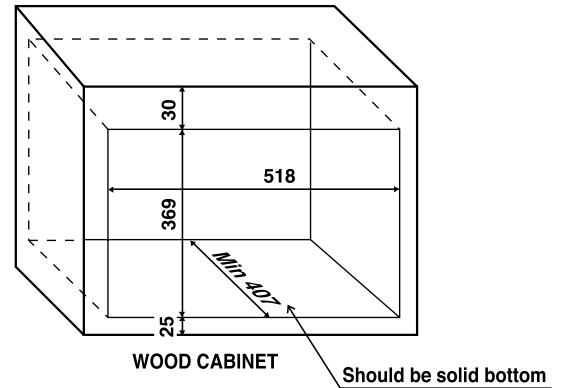


FIGURE 3

2. MOUNT THE UPPER TRIM ON THE OUTER CASE USING THREE 8 mm SCREWS. AND THEN MOUNT THE DUCT ON THE OUTER CASE USING TWO 8 mm SCREWS. SEE FIGURE 4.

3. REMOVE TWO SCREWS FROM THE FRONT OF BASE PLATE. MOUNT THE LOWER TRIM ON THE BASE PLATE USING TWO 8 mm SCREWS. SEE FIGURE 4.

4. PUT THE MICROWAVE OVEN INTO THE CABINET.

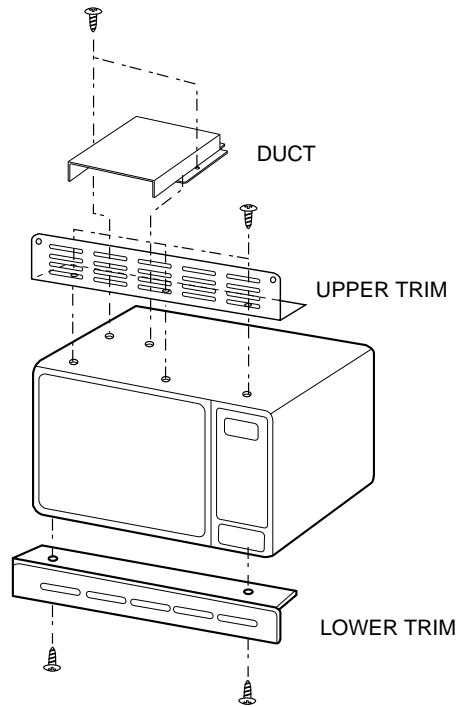


FIGURE 4

5. SCREW THE UPPER AND LOWER TRIM ONTO THE CABINET USING FOUR 16 mm SCREWS. SEE FIGURE 5.

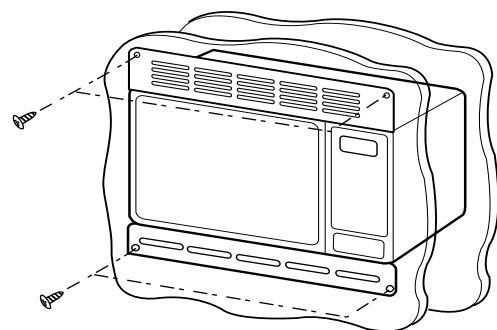


FIGURE 5