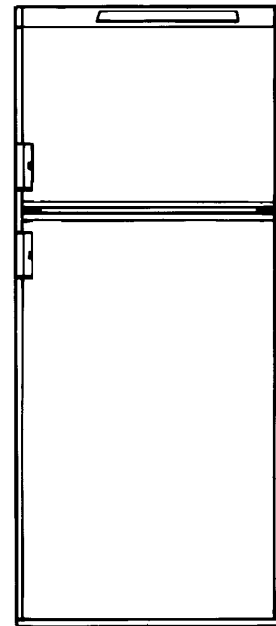


When ordering spare parts
 Always state: Model - Quantity - Part Number - Description
 For electric details also:
 Voltage - Wattage
 Delete spaces and slashes in the part numbers
 Add 0 to part numbers with less than ten digits



BFS00409

Product number	Model	Voltage V	Door left/right	Market
9215956-01	RM2812	120	L	US,CA
9215957-01	RM2812	120	R	US,CA

USA

Service Office
 The Dometic Corporation
 509 South Poplar St
 La Grange, IN 46761
 219-463-4858

For service center assistance call:
800-544-4881

CANADA

Dometic Distribution Inc
 866 Langs Drive
 Cambridge, Ontario
 N3H 2N7
 519-653-4390

Refrigerators RM2812

1997 The Dometic Corp.
 LAGRANGE, IN 46761

599 25 89-72/0

ALPHABETICAL INDEX

	Page	POS. NO
Cabinet, exterior components	4-5	1-117
Cabinet, interior components	6	3-75
Cabinet, rear view	7	100-145
Control & Burner components	8-9	1-146
Door Asm	3	1-20
Wiring Diagram	10	--
		258846T1

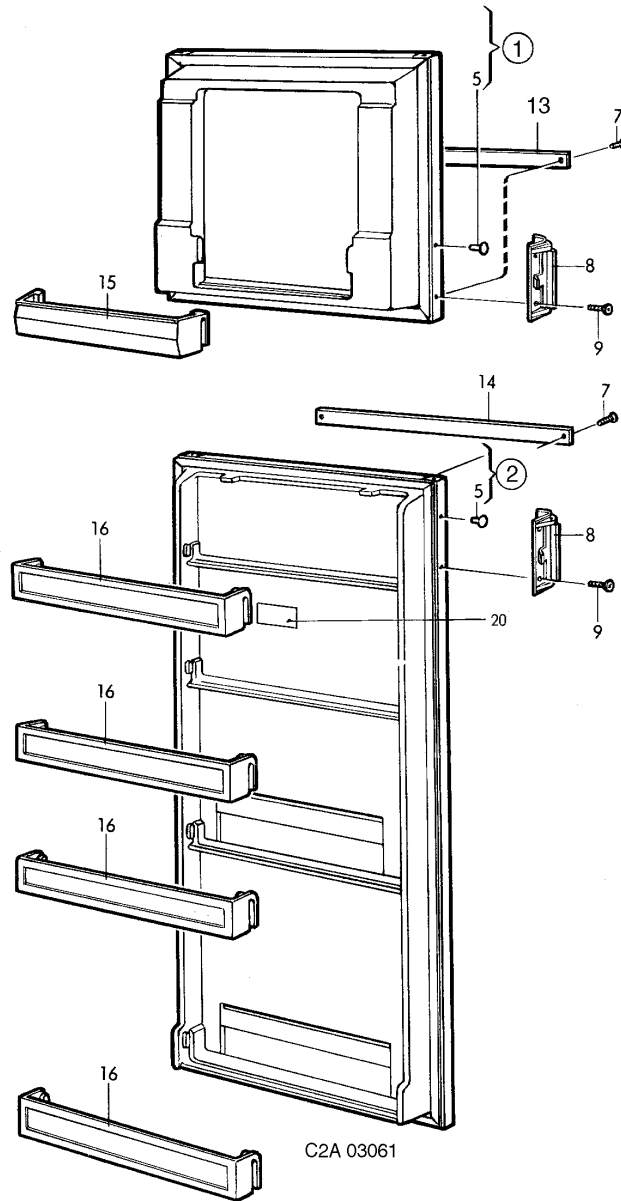
SPECIFICATIONS

PRODUCT NO.*	921595601 921595701
Energy Source **	120VAC/GAS
AC Heating Element	
Watts	325
Ohms	44
Amperage	2.7
BTU's Gas Burner	1500
Jet Size	#58
Baffle	
Size	5-1/4" x 3/4"
Position Above Burner	1-3/4"
Ice Trays	0
Crisper	1
Bottle Holders	0
Climate Control Heater	
Watts	6
Ohms	24
Amperage	.5

* Product number located on refrigerator data plate.

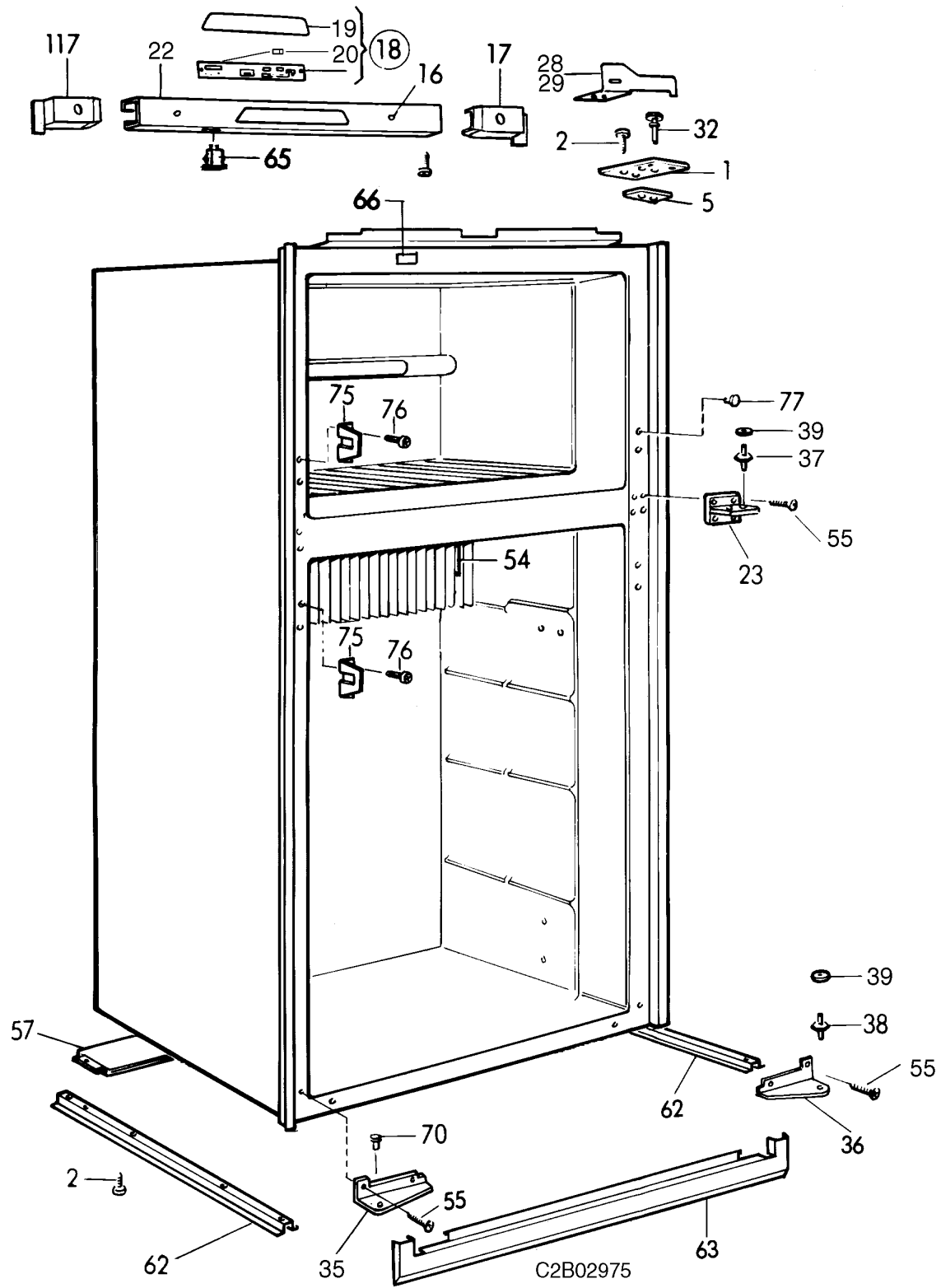
258972T2

** 12 volt DC power is required to operate the refrigerator controls on all models.

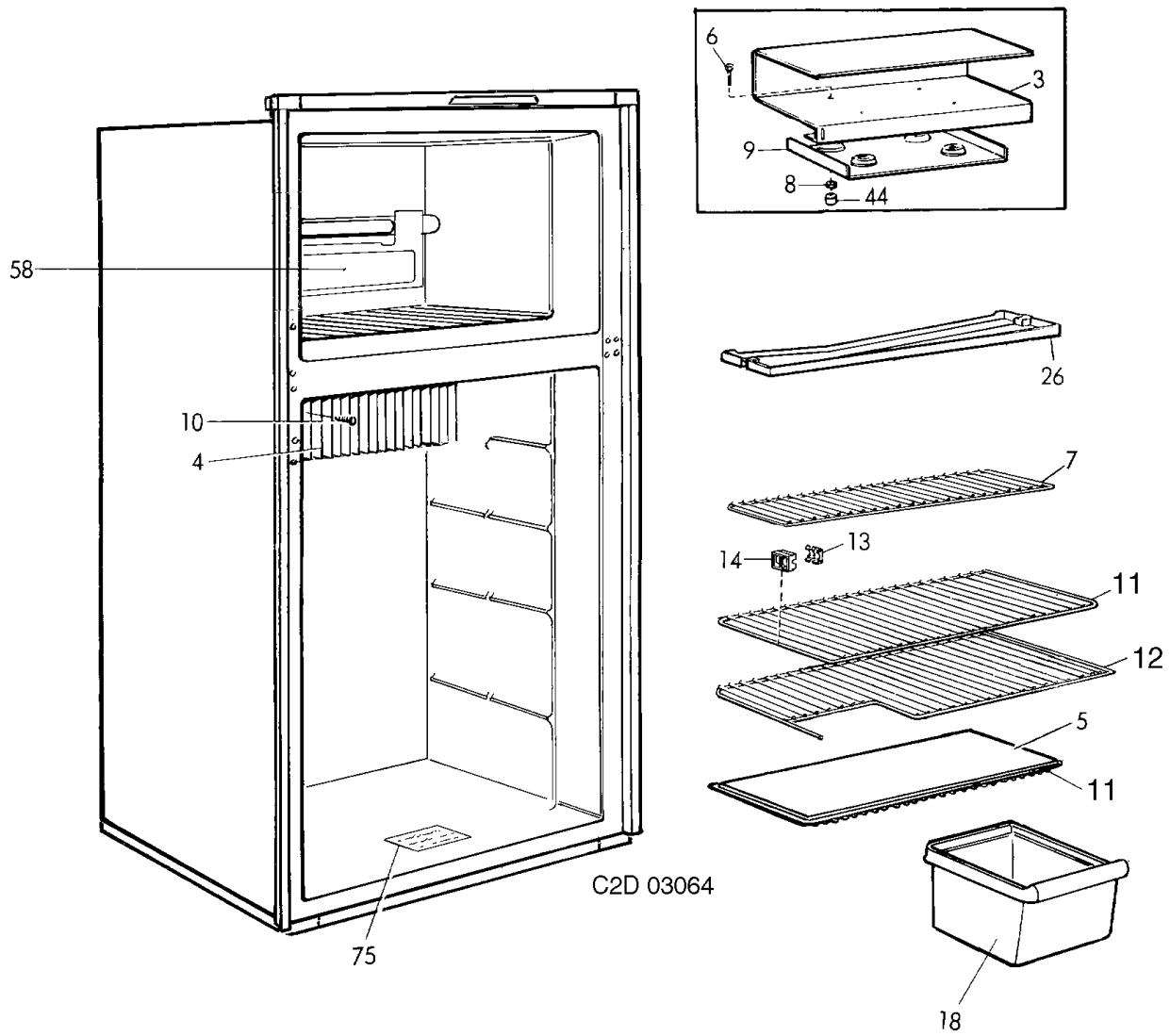


A = RM2812 (921 59 56-01)
 B = RM2812 (921 59 57-01)

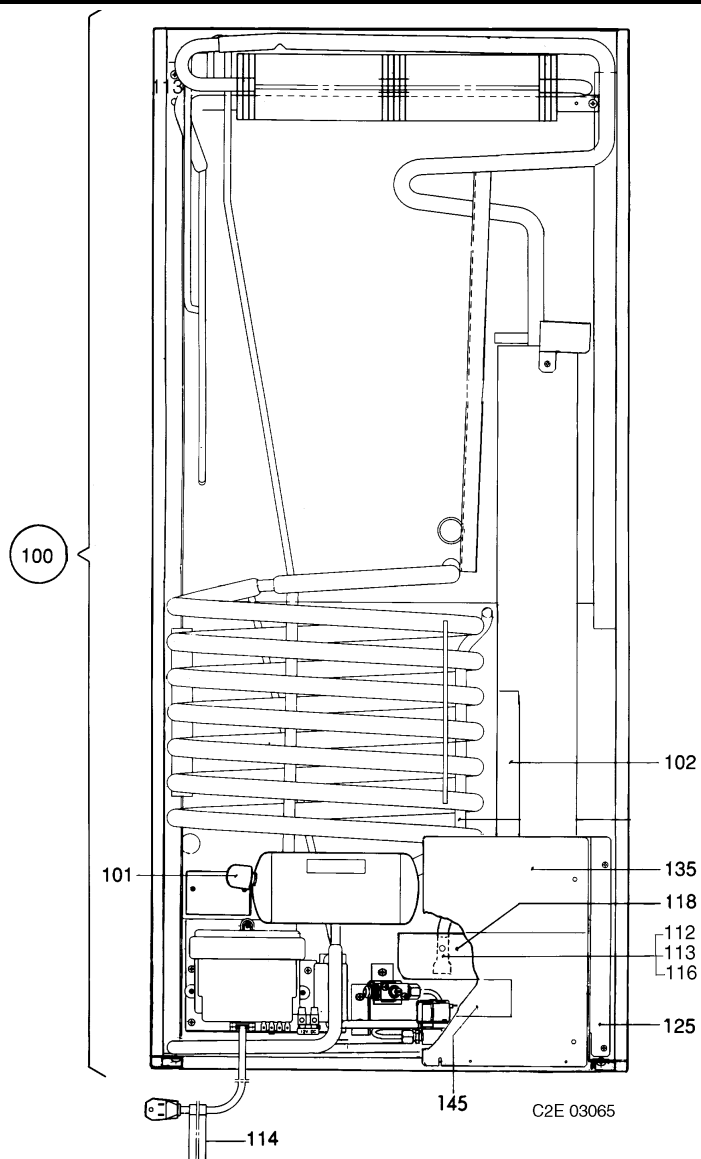
POS. NO	PART NO		DESCRIPTION
1	293 15 91-11/5	A B	Door, upper
2	293 15 90-11/7	A B	Door, lower
5	293 15 10-03/2	A B	* Plug
7	729 52 29-01/2	A B	Screw, B4x16, zincplated
8	293 16 00-02/3	A B	Handle, cpl.
9	729 52 25-01/0	A B	Screw, RXS, B4x10, zincplated
13	293 15 83-02/1	A B	Decoration
14	293 15 83-19/5	A B	Decoration
15	293 14 18-02/0	A B	Shelf door-
16	200 17 32-15/1	A B	Shelf door-
20	293 27 22-00/8	A B	Label



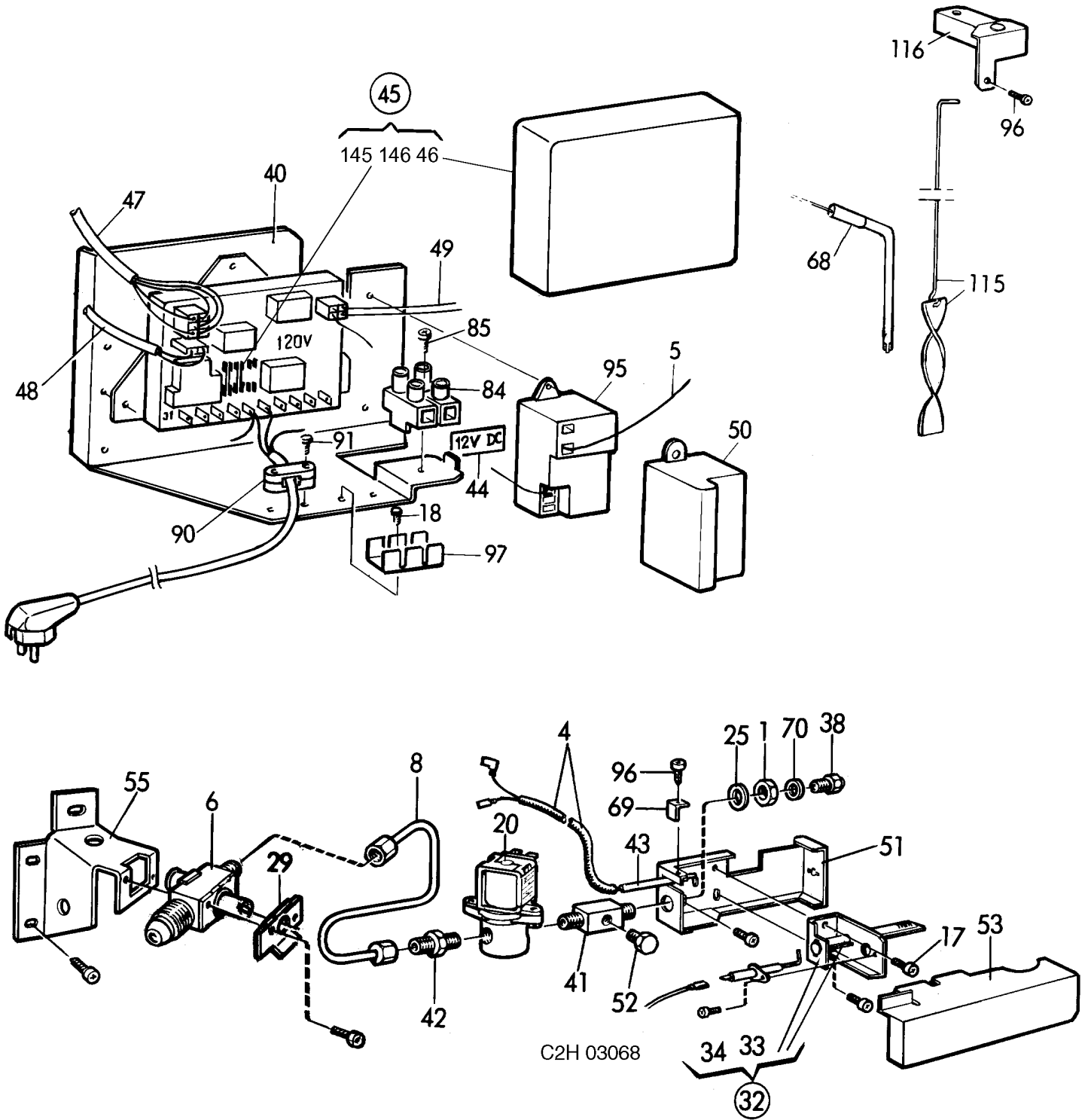
POS. NO	PART NO	DESCRIPTION
1	293 12 91-01/3	Hinge,upper
2	724 13 28-61/1	Screw,M5x14,zincplated
5	293 12 92-01/1	Washer
16	293 01 32-06/9	Plug
17	293 18 66-01/2	Side plate,right
18	293 27 71-01/3	Circuit board
19	95 50 30-24/2	* Decoration
20	95 50 24-13/8	* Button
22	293 18 65-11/3	Front
23	293 12 89-01/7	Hinge,middle
28	293 21 25-01/2	Bracket,left
29	293 21 25-02/0	Bracket,right
32	293 12 88-01/9	Hinge pin,upper
35	293 21 11-01/2	Hinge,left
36	293 21 11-02/0	Hinge,right
37	293 12 87-01/1	Hinge pin,middle
38	293 16 23-01/7	Hinge pin,lower
39	734 49 04-03/7	Washer
54	293 19 76-01/9	Retainer probe
55	724 32 91-61/9	Screw,M4x12,zincplated
57	293 06 64-01/2	Protection plate
62	293 21 10-01/4	Runner
63	293 21 12-04/4	Base front
65	293 18 76-01/1	Switch
66	293 21 65-00/0	Label
70	293 12 84-02/6	Plug,dark grey
75	293 15 11-01/4	Bracket
76	729 52 21-01/9	Screw,RXS,B4x6,5,zincplated
77	293 15 10-03/2	Plug
117	293 18 66-02/0	Side plate,left



POS. NO	PART NO	DESCRIPTION
3	200 75 35-03/8	Shelf
4	200 76 05-01/3	Cooling flange
5	293 11 17-05/1	Shelf,plastic
6	725 23 30-13/4	Screw,M6S,5x20,FN
7	200 26 52-26/7	Shelf,D approx 7,5"
8	731 43 14-13/4	Nut,,M5,brass,FN
9	200 76 49-01/1	Plate
10	729 54 22-11/2	Screw,RXS,B10x38,FN
11	293 01 33-11/7	Shelf,D approx 12"
12	200 26 52-25/9	Shelf,D approx 12"
13	200 73 93-02/4	Flap lock,outer
14	200 73 92-02/6	Flap lock,inner
18	200 27 26-09/5	Box vegetable-
26	200 76 10-01/3	Drip tray
44	293 04 87-00/0	Lid
58	293 10 06-01/5	Coverplate
75	293 27 76-00/4	Sign plate



POS. NO	PART NO	DESCRIPTION
100	293 49 03-99/4	Cooling unit,2934903-01 +emb
101	17 32 28-00/8	* Cap
102	293 35 57-00/7	* Cover
112	293 21 15-01/3	Plug
113	293 26 92-01/1	Hose drainage-
114	293 27 33-00/5	Label
116	293 18 29-01/0	Outlet tube
118	293 18 28-01/2	Tray
125	293 07 84-01/8	Protection plate
135	293 07 85-01/5	Protection plate
145	293 27 23-00/6	Label



POS. NO	PART NO	DESCRIPTION
1	14 02 07-04/4	Nut
4	293 20 01-01/5	Hose
5	200 76 68-05/2	Conductor
6	200 77 09-04/7	Cock gas-
8	293 21 17-01/9	Tube gas-
17	724 12 87-61/9	Screw,m4x8,zincplated
18	724 12 89-61/5	Screw,MRX,M4x10,zincplated
20	294 32 98-03/0	Valve solenoid-
25	734 58 42-01/2	Washer
29	293 08 11-01/9	Protect. washer
32	293 06 97-02/0	Burner
33	293 03 79-00/9	* Electrode
34	729 52 21-01/9	* Screw,RXS,B4x6,5,zincplated
38	200 74 19-21/7	Jet,no 58
40	293 18 22-01/5	Retainer
41	293 18 24-01/1	Nipple
42	293 20 63-01/5	Nipple
43	293 18 26-01/6	Couple thermo
44	293 18 27-00/6	Sign plate
45	293 27 70-01/5	Circuit board,assy
46	293 18 58-01/9	* Cover
47	293 18 62-01/1	Conductor circuit board,cpl.
48	293 18 63-03/5	Conductor thermistor
49	295 44 37-01/4	Conductor gasvalve
50	293 18 86-01/0	Cover
51	293 19 13-01/2	Burner housing
52	16 93 80-00/3	Screw
53	293 15 72-01/6	Protection plate
55	293 21 16-01/1	Cantilever
68	17 37 42-16/4	Heater,325w,120 V
69	293 06 60-01/0	Retainer
70	200 74 57-00/1	Washer
84	293 04 63-01/9	Terminal block
85	729 52 87-40/8	Screw,RXS,B6x25,stainless
90	56 10 14-01/0	Anti-strain clip
91	729 52 85-40/2	Screw,RXS,B6x19,stainless
95	293 11 32-01/9	Spark ignition device
96	729 52 79-01/7	Screw,RXS,B6x10,zincplated
97	293 03 27-00/8	Terminal rail
115	200 75 90-06/6	Baffle
116	293 15 40-01/3	Flue
145	294 35 41-00/9	Fuse,3A
146	294 35 42-00/7	Fuse,5A

