



INSTRUCTIONS

SIDEOUT KOVER II LTD (WITH FULL CASE) SIDEOUT KOVER II (WITH WIND DEFLECTOR)

OWNERS MANUAL

THIS OWNERS MANUAL CONTAINS SECTIONS FOR :
SAFETY, INSTALLATION, OPERATION,
CARE AND MAINTENANCE AND WARRANTY.
**CUSTOMER MUST RECEIVE THIS OWNERS MANUAL UPON
COMPLETION OF INSTALLATION.**

052960-003

The new Sideout Kover II is available in two versions. One version being the LTD version which comes with a full case to completely cover the roller tube when the Kover is extended or retracted. The Deflector version does not have a full case however has a Deflector that mounts under the roller tube to prevent wind billowing in the retracted position. These instructions are intended to be used with both the LTD (Full Case) Version and the version with the Wind Deflector. The two versions install the same with the exception of mounting the full case or the wind deflector toward the end of the installation.

IMPORTANT NOTE: READ ENTIRE INSTRUCTIONS BEFORE BEGINNING INSTALLATION. FOLLOW ALL CAUTIONS, WARNINGS AND NOTES TO PREVENT INJURY OR DAMAGE TO AWNING OR VEHICLE. IMPROPER INSTALLATIONS MAY RESULT IN BILLOWING. WARRANTY BENEFITS DO NOT APPLY TO IMPROPERLY INSTALLED SIDEOUT KOVERS II.

TOOLS AND SUPPLIES REQUIRED
DRILL, 1/8", 1/4" & #8 (.199") DRILL BITS,
PUTTY TAPE OR SILICONE SEALER
1/4" SOCKET OR WRENCH
5/16" SOCKET AND/OR WRENCH
7/16" SOCKET AND/OR WRENCH
PHILLIPS SCREW DRIVER
POP RIVET GUN

SECTION I: SAFETY

- ▲ **WARNING** Warning means a hazard that could cause death or serious injury if the warning is ignored.
- ▲ **CAUTION** Caution means a hazard that may cause minor or moderate injury if the warning is ignored. It may mean a hazard that will only cause damage to property.

CAUTION: RAIL MUST BE MOUNTED SUCH THAT IT DOES NOT INTERFERE WITH THE SLIDE-OUT CLOSING AND SEALING WHEN IT IS IN THE COMPLETE RETRACTED POSITION.

CAUTION: IF DRILLING THROUGH A "STEEL" FLANGE IT MAY BE NECESSARY TO ENLARGE THE SCREW HOLE SLIGHTLY TO KEEP THE SCREW HEAD FROM TWISTING OFF!

CAUTION: THE COTTER PIN IS HOLDING THE PRE-WOUND TENSION ON THE ROLLER ASSEMBLY. CARE MUST BE TAKEN TO PREVENT ANY DAMAGE OR INJURY WHEN REMOVING THESE PINS.

SECTION II: INSTALLATION SPECIFICATIONS

IMPORTANT NOTE: BEFORE BEGINNING THE INSTALLATION, BE SURE TO READ THE INFORMATION BELOW TO ENSURE THAT THE SIDEOUT KOVER II IS THE CORRECT SIZE!

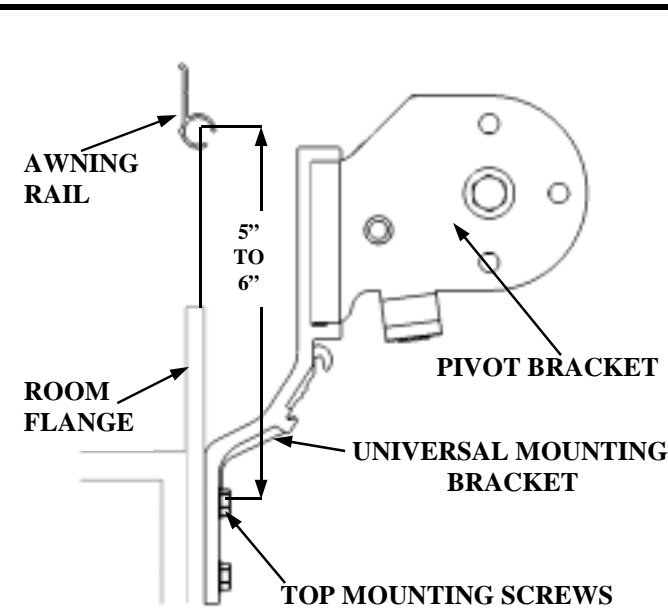
- Sideout Kover IIs are available in 4" increments from 34" to 197". The actual material of the Sideout Kover II will measure approximately 2-1/2" outside of the outer edge of the flat portion of the mounting bracket.

SECTION III: SIDEOUT KOVER II INSTALLATION

1. INSTALLING AWNING RAIL:

- A. Determine if an awning rail will be needed. This assembly can be attached directly to a previously installed rail or secured to a Carefree Awning rail (provided). Mounting must be a minimum of 5" to 6" above the level where the top row of mounting screws will secure the universal mounting bracket to the slide-out room face. Follow the guidelines listed below and to the right.
- Rail **MUST** be mounted with the slot (where fabric slides in) facing down, I.E. the screws will be above the rail.
 - Rail must mount on to a straight, flat, solid mounting surface.
 - Rail must be mounted to where the slot of the rail is positioned 5" to 6" above the top row of fasteners of the universal mounting brackets.
 - Locate the position of the rail by determining where the universal mounting brackets will be positioned. Do this by referring to Step 2 B, (1 or 2) in the right hand column. Mark position of rail accordingly.
- B. Mark the entire location of the rail with a chalk like or other appropriate methods.
- C. Remove the awning rail from the shipping tube. Apply sealer (putty tape or silicone) to the back surface of the rail.
- D. Mount the rail with the #10 x 3/4" Hex Head screws provided.

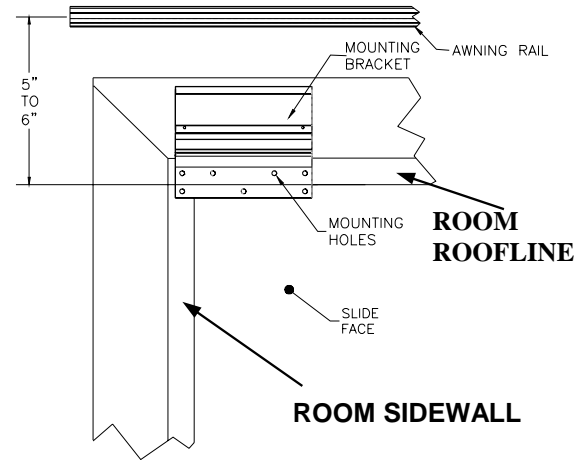
CAUTION: RAIL MUST BE MOUNTED SUCH THAT IT DOES NOT INTERFERE WITH THE SLIDE-OUT CLOSING AND SEALING WHEN IT IS IN THE COMPLETE RETRACTED POSITION.



2. INSTALLING UNIVERSAL MOUNTING BRACKETS

(see components below and on fourth page)

- A. Step 1 A (left) determined the location for mounting the awning rail in relationship to the position of the top row of screws mounting the universal brackets. The Universal Brackets must be mounted where the screws install into the side-wall and the roof line of the room. (There may be a trim strip located where the side-wall and the roof line meet the face of the slide-out).
- B. Align the Sideout Kover II mounting bracket on the slide-out face such that the mounting holes of the bracket are in line with both the side-wall and the roofline of the slide-out room. The bottom set of mounting holes may be off the edge of the flange and will need a backing spacer for proper support.



- C. Mount the Sideout Kover II universal mounting brackets to the slide-out face or into the side-wall and roof line with the #12 x 1" TEK screws provided.

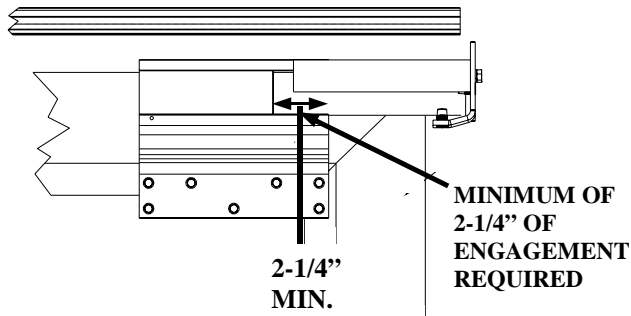
3. INSTALLING ROLLER ASSEMBLY

- A. With the awning rail and the universal mounting brackets installed, remove the packaging from the roller assembly and unwrap a maximum of one (1) wrap of fabric from the roller to allow for easier insertion into the awning rail.
- B. The Kover II roller assembly will have the Pivot Brackets placed inside the roller. The left hand Pivot Bracket is attached to the roller with a pin securing it to the roller. This pin also secures the winds on the spring. **Do not remove this pin prematurely.**

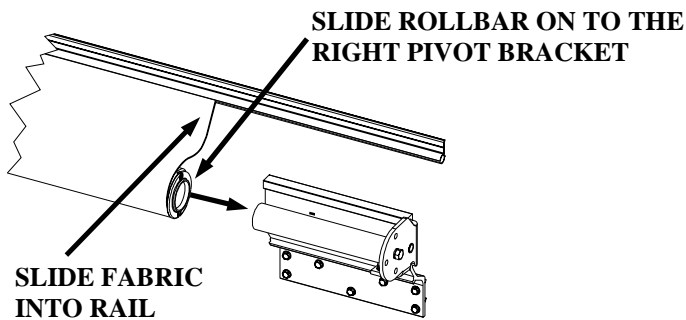
3. INSTALLING ROLLER ASSEMBLY (cont.)

- C. Remove right side pivot bracket from roller assembly. Slide pivot bracket into the slide portion of the universal mounting bracket with the spindle (aluminum tube) facing to the left.

Note: When positioning the slide pivot bracket, the bracket should always have a minimum of 2-1/4" of engagement into the slide portion of the mounting bracket. If less than 2-1/4" of engagement exists then the awning needs to be shorter or the brackets need to mount further outboard.

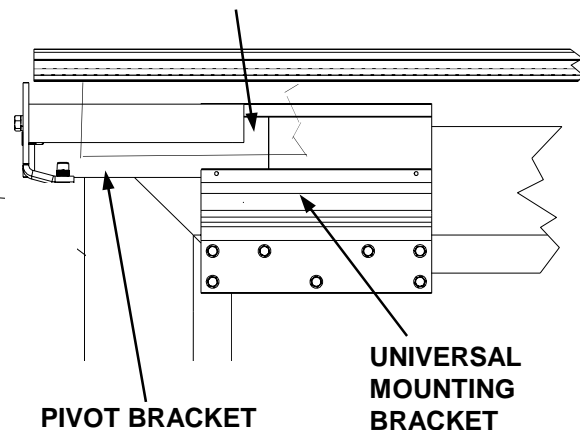


- D. With the room retracted, slide the fabric into the awning rail and when you reach the pivot bracket, slide the awning roll bar on to the right hand pivot bracket spindle.



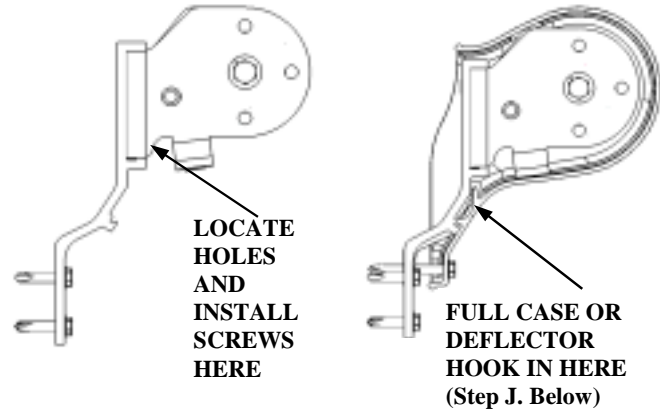
- E. As you slide the roll bar onto the right pivot bracket spindle, simultaneously, slide the left side pivot bracket into the slide portion of the previously mounted universal mounting bracket.

SIMULTANEOUSLY SLIDE PIVOT BRACKET INTO MOUNTING BRACKET



3. INSTALLING ROLLER ASSEMBLY (cont.)

- F. Locate the (2) pre-punched holes in the V groove on the bottom surface of the slide portion of each mounting bracket. Install one (1) #6 x 5/16" Phillips Head screw in each of the holes of the brackets to attach the mounting brackets to the pivot bracket. (Note: It may be necessary to pre-drill the pivot bracket at this point.)



- G. Carefully remove cotter pins from the left side, relieve the tension on the roller by unrolling it by hand slightly when pulling pin. **CAUTION: THE COTTER PIN IS HOLDING THE PRE-WOUND TENSION ON THE ROLLER ASSEMBLY. CARE MUST BE TAKEN TO PREVENT ANY DAMAGE OR INJURY WHEN REMOVING THIS PIN.**

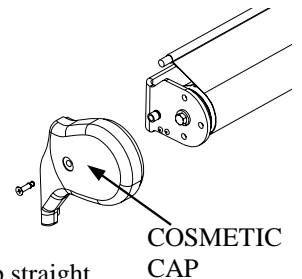
- H. For installations where the length is greater than 5', (with the Deflector version,) or 12' (with the Full Case), a center support is necessary. Slide the provided Wall Mount onto the wind deflector or full case, placing it in the middle of the span or near the punched holes it provides.

- I. Extend the room approximately 6". Install the wind deflector or full case by positioning the wind deflector or case into the upper groove of the slide bracket. (SEE ABOVE) **Note: The full case will press down on the fabric to help remove debris when the room is retracted.** Make sure the case or wind deflector is centered over the roller assembly. Align the mounting holes on the bottom side of the wind deflector or full case up with the holes in the L brackets on the pivot brackets. Attach using the 1/4 x 20 x 3/4" bolts.

- J. If a center bracket is used, make sure it is centered and secure to the slide-out room in the middle with a #12 x 1-3/4" Hex Head screw, placing the provided 3/8" plastic spacer bushing between the bracket and the coach. Pre-drill the slide-out room with a 0.199" (#8) drill bit.

- K. Install cosmetic caps on either end of awning with the 1/4 X 20 X 1" Phillips Head Bolts.

- L. Extend and retract slide-out room a few times to verify the fabric is centered and rolling up straight.



- M. Drill two 3/32" holes through awning rail, polycord approximately 2" from each end of the Kover II. Secure the Kover II using a #6 x 3/8" Hex Head screw in each hole.

SECTION IV: OPERATING INSTRUCTIONS

1. TO EXTEND SIDEOUT KOVER II

A. Extend slide-out to its full extension.

B. The Sideout Kover II will automatically unroll attaining full coverage when the slide-out achieves maximum extension.

NOTE: ROOM MUST EXTEND STRAIGHT (EQUAL AT BOTH ENDS) IN ORDER FOR THE FABRIC TO TIGHTEN UP UPON FULL EXTENSION!

NOTE: WATER MAY POOL ON TOP OF THE EXTENDED KOVER II; AND THE WATER WILL BE DUMPED OFF THE LOW END AS THE SLIDE-OUT IS RETRACTED.

2. TO RETRACT SIDEOUT KOVER II

A. Retract slide-out to the complete closed position.

B. The Sideout Kover II will automatically roll up to the travel position when the slide-out is completely retracted.

NOTE: WHEN RETRACTING THE SLIDE-OUT AFTER A RAIN OR A HEAVY DEW IT IS A GOOD IDEA TO STOP THE ROOM AT THE HALFWAY POINT AND ENSURE THE FABRIC IS ROLLING PROPERLY BEFORE CONTINUING RETRACTION. WATER MAY COLLECT ON THE MATERIAL AND LOAD IT DOWN SUCH THAT IT CONTACTS THE ROOF OF THE SLIDE-OUT ROOM. RUNNING AIR CONDITIONERS MAY ALSO DEPOSIT WATER ON THE KOVER II AS WELL.

SECTION V CARE AND MAINTENANCE

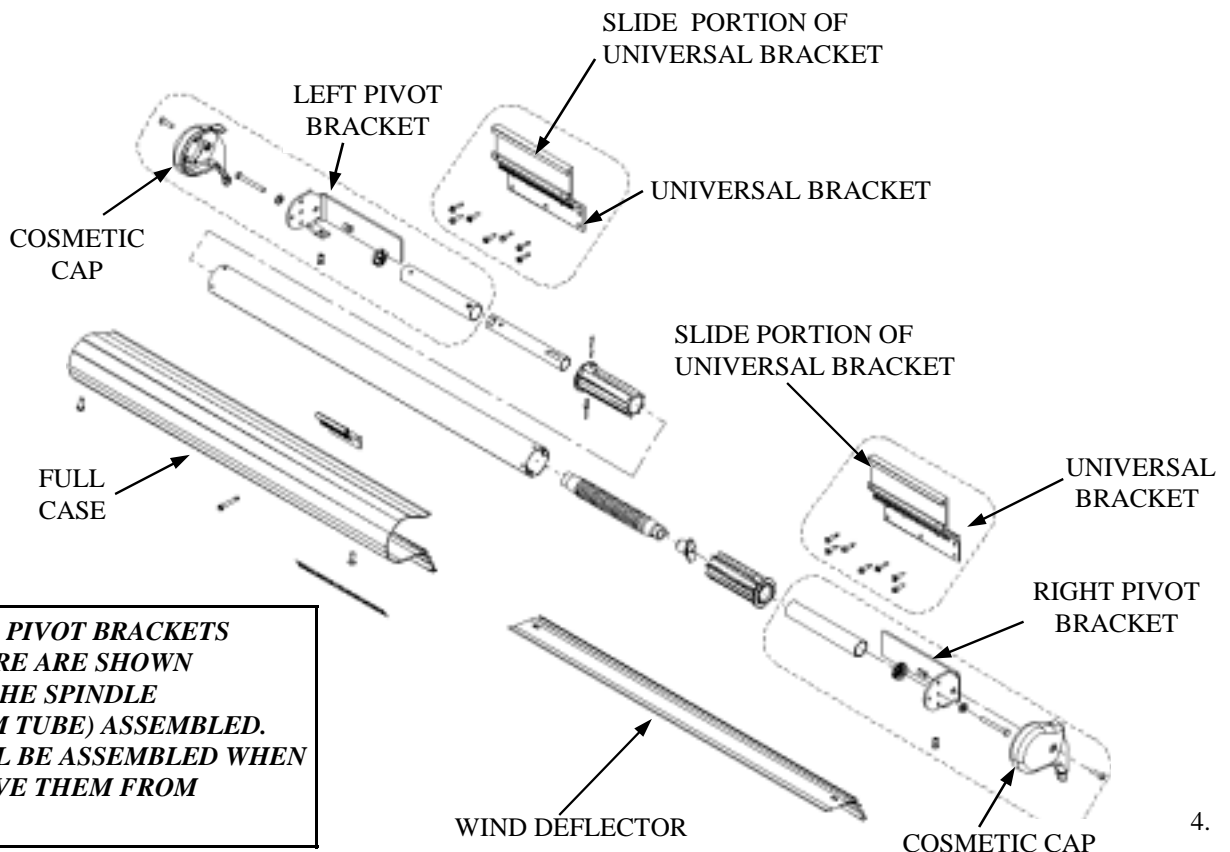
CARE OF SIDEOUT KOVER II

CLEANING:

Mildew will not form on the awning material itself, but may form on the dust allowed to accumulate on the canopy. A quality cleaner will keep your awning looking new. Once cleaned make sure the awning is rinsed thoroughly and is dried before storing. **DO NOT USE BLEACH!**

MAINTENANCE

Periodically check all fasteners to make sure they remain tight. If fasteners become loose, see that they are adequately re-tightened right away.



NOTE: THE PIVOT BRACKETS SHOWN HERE ARE SHOWN WITHOUT THE SPINDLE (ALUMINUM TUBE) ASSEMBLED. THESE WILL BE ASSEMBLED WHEN YOU RECEIVE THEM FROM CAREFREE.

SECTION VI: WARRANTY

1. **Duration:** Two & Four Year Limited Warranty. Two years parts labor and freight on canopy, four years parts labor and freight on springs, roller and hardware.
 2. **Who gives this warranty?**
Carefree of Colorado, A Scott Fetzer Company (the "Company").
 3. **Who receives this warranty?**
The original purchaser (the "Purchaser"), other than for purposes of resale, of a Sideout Kover II. This warranty is not transferable.
 4. **Responsibilities of the Company under this warranty.**
Repair or replace at Warrantor's option, of the covered part(s) which Warrantor, in the exercise of its reasonable discretion, determines to be effective; provided that the Warrantor receives notice of the defect within the stated warranty period for the respective product/ component. Warrantor will also pay the respective servicing dealer or agent for performing any repairs authorized by Warrantor as per the terms of this warranty. Company will allow for freight and labor charges - labor is based on Flat Rate Form. **CHARGES FOR TRAVEL TIME AND MILEAGE ARE NOT COVERED BY THE WARRANTY.**
 5. **Responsibilities of the Purchaser under this warranty.**
 - A. Promptly notify seller, or alternately, the Company of any claim hereunder
 - B. Retain dated proof of purchase for specified product, and provide it as requested.
 - C. Inspect the awning upon purchase to confirm the condition of the canopy and the proper operation of the product.
 - D. Perform "Periodic Preventative Maintenance" as specified in Owners Manual
 - E. Deliver any product claimed or found defective during warranty period to the nearest Carefree of Colorado Authorized Service Dealer. The Original Purchaser is responsible for any expenses related to delivery or pick up of product to/from the Service Dealer. Visit carefreeofcolorado.com for the name of nearest Authorized Service Dealer, or call Carefree at the phone number shown above.
 - F. At the option the Company, return the product or part to Carefree Colorado for inspection. Carefree Authorization to Return form must be obtained before any product or part is returned
 - G. Use reasonable care in maintenance, operation, use and storage of the product in accordance with the instructions contained in the owner's manual.
 6. **What is covered by this warranty?**
 - A. Defects on the manufacturer's material and workmanship of product under normal use, and which occur within the duration of the warranty period. On all awnings, the following parts are covered only as follows: (a) Fabrics, free from quality defects (normal wear and fading are excluded); (b) Roller Tube, against extrusion defects; (c) Springs (or Motor) Assembly(ies), against breakage; and (d) Hardware, against extrusion defects.
 - B. Sideout Kover II Roller Tube - 4 Year Limited Warranty. Warranted not to break for 4 years. **THIS DOES NOT INCLUDE HIGH WINDS OR WATER POOLING ON THE CANOPY.**
 - C. Sideout Kover II Spring Assembly--4 Year Limited Warranty. Sideout Kover II springs are warranted not to break or pull loose if not overwound or subjected to high winds or water pooling on the canopy.
 - D. Sideout Kover II Canopy--2 Year Limited Warranty
Sideout Kover II canopy material is warranted against
 - 1) Excessive fading (there is always slight color change due to ultra-violet rays):
 - 2) Mildew (however, mildew will form on dirt which has not been removed);
 - 3) Cracking, peeling hardening, sagging or loss of strength if not subjected to high winds or water pooling on the canopy.
 7. **What is not covered under this warranty?**
 - A. Fabric damage such as pinholes or tears not reported within ten (10) calendar days of purchase
 - B. Improper installation and/or any damage or failure that results from improper installation of the product, including fabric damage caused by improper installation.
 - C. Product abuse and normal wear. "Normal Wear" includes the occasional need to re-tension the awning.
 - D. Conditions that are not related to the material or workmanship of the product: including any failure that results from an accident, wind, rain, water pooling, or other acts of God; purchaser's abuse; neglect; failure to operate, or use or maintain the product in accordance with the instructions provided in the Owners Manual supplied with the product; (failure to operate the product(s) in accordance with instructions in the Owner's Manual and on the product shall also include the removal or alteration of any product component or device. In the event of any such removal or alteration, this warranty is void).
 - E. Any component not sold or manufactured by the Company.
 - F. **ANY INCIDENTAL, INDIRECT, OR CONSEQUENTIAL LOSS, DAMAGE, OR EXPENSE THAT MAY RESULT FROM ANY DEFECT, FAILURE, OR MALFUNCTION OF THE CAREFREE OF COLORADO PRODUCT.** Some states do not allow the exclusion or limitation on incidental or consequential damages, so the above limitation or exclusion may not apply to you.
 - G. Damage while traveling due to the awning not being properly stowed.
 - H. Any failure that results from the use of another product with a Warrantor's product that is not specifically approved by the Warrantor..
 8. **When Warrantor will perform repair or replacement under warranty.**
 - A. Repair or replacement will be scheduled and performed according to normal work flow at the nearest Authorized Service Dealer, and depending on the availability of replacement parts.
 - B. If the Purchaser does not receive satisfactory results from the Authorized Service Dealer, the Purchaser should contact the Carefree of Colorado Customer Care Department.
- THIS WARRANTY GIVES YOU SPECIFIC LEGAL RIGHTS AND YOU MAY ALSO HAVE OTHER RIGHTS WHICH VARY FROM STATE TO STATE. No action to enforce this warranty shall be commenced later than 30 days expiration of the warranty period. The duration of this Limited Warranty also limits the duration of any implied warranty such as warranty of merchantability or fitness for a particular use or purpose. Some states do not allow such limitations so the implied warranty limitation may not apply to you. Carefree of Colorado reserves the right to change the specifications and design of any product without notice and with no obligation to make corresponding changes to products previously manufactured.
- Carefree of Colorado**
A Scott Fetzer Company
2145 W. 6th Ave.
Broomfield, Co. 80020
(303) 469-3324