



CAREFREE SIDEOUT KOVER

OWNER'S MANUAL/INSTALLATION INSTRUCTIONS

052798-005

CUSTOMER MUST RECEIVE THIS MANUAL UPON INSTALLATION--Contains Sections For SAFETY, INSTALLATION, OPERATION, CARE AND MAINTENANCE AND WARRANTY

IMPORTANT NOTE: READ ENTIRE INSTRUCTIONS BEFORE BEGINNING INSTALLATION. FOLLOW ALL CAUTIONS, WARNINGS AND NOTES TO PREVENT INJURY OR DAMAGE TO AWNING OR VEHICLE. IMPROPER INSTALLATIONS MAY RESULT IN BILLING. WARRANTY BENEFITS DO NOT APPLY TO IMPROPERLY INSTALLED SIDEOUT KOVERS.

TOOLS AND SUPPLIES REQUIRED

DRILL, 1/8" & 7/32" DRILL BITS, POP RIVET GUN
PUTTY TAPE OR SILICONE SEALER
5/16" SOCKET OR WRENCH
1/4" SOCKET OR WRENCH

SIDEOUT KOVERS ARE AVAILABLE IN EIGHT STOCKING SIZES OR ARE CUSTOM MADE FOR THE LENGTH AND THE EXTENSION OF YOUR SLIDEOUT. THE ACTUAL MATERIAL ON THE SIDEOUT AWNING WILL MEASURE APPROXIMATELY 2" OUTSIDE OF THE OUTER EDGE OF THE MOUNTING BRACKET.

SECTION I: SAFETY INFORMATION

CAUTION: Means a hazard that may cause minor or moderate injury if the warning is ignored. It also may mean a hazard that will cause damage to property.

CAUTION: RAIL MUST BE MOUNTED SUCH THAT IT DOES NOT INTERFERE WITH THE SLIDEOUT CLOSING AND SEALING WHEN IT IS IN THE COMPLETE RETRACTED POSITION.

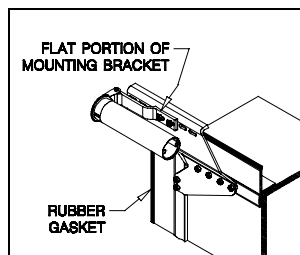
CAUTION: IF DRILLING THROUGH A "STEEL" FLANGE IT MAY BE NECESSARY TO ENLARGE THE SCREW HOLE SLIGHTLY TO KEEP THE SCREW HEAD FROM TWISTING OFF!

CAUTION: THE COTTER PINS ARE HOLDING THE PRE-WOUND TENSION ON THE ROLLER ASSEMBLY. CARE MUST BE TAKEN TO PREVENT ANY DAMAGE OR INJURY WHEN REMOVING THESE PINS.

SECTION II: INSTALLATION SPECIFICATIONS

IMPORTANT NOTE: BEFORE BEGINNING THE INSTALLATION, BE SURE TO READ THE INFORMATION BELOW TO ENSURE THAT THE SIDEOUT KOVER IS THE CORRECT SIZE

- Sideout Covers are custom made for the length and extension of the slideout room. The actual material of the Sideout Cover will measure approximately 2-1/2" outside of the outer edge of the flat portion of the mounting bracket.

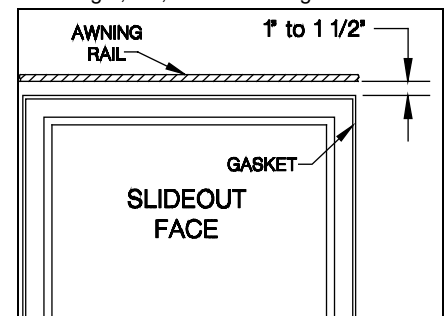


SECTION III: SIDEOUT KOVER INSTALLATION

1. INSTALLING AWNING RAIL:

- Remove rail from shipping tube. Apply sealer (putty tape or silicone) to the back surface of the rail.
- Determine the exact location the rail is to be mounted by following the guidelines listed below. Install rail with the #10 x 3/4" Hex head screws provided.
 - Rail can be mounted with the slot (where fabric slides in) facing up or with the slot facing down.
 - (Preferably with the slot facing up)
 - Rail must mount on to a straight, flat, solid mounting surface.
 - Rail must be mounted to where the slot of the rail is positioned 1" to 1-1/2" above the face of the slideout.

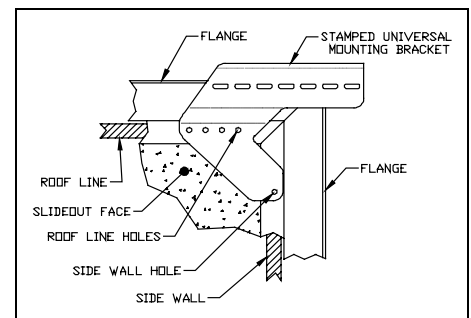
CAUTION: RAIL MUST BE MOUNTED SUCH THAT IT DOES NOT INTERFERE WITH THE SLIDEOUT CLOSING AND SEALING WHEN IT IS IN THE COMPLETE RETRACTED POSITION.



2. HANGING OF SIDEOUT KOVER

- Determine the location of the sidewall and the roof line on the face of the slideout room. (There is generally a trim strip located where the sidewall and the roof line meet the face of the slideout).

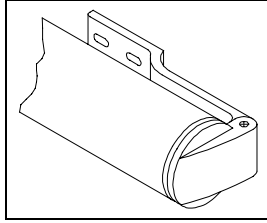
- Align the Stamped Universal Sideout Kover bracket on the slideout face such that the mounting holes are in line with both the sidewall and the roofline of the slideout room. **CAUTION: MAKE SURE THE BRACKETS ARE ALIGNED SO THE SCREWS WILL BE GOING INTO THE SIDEWALL AND THE ROOFLINE OF THE SLIDEOUT ROOM. THIS IS NECESSARY TO ACHIEVE PROPER SUPPORT. BRACKETS THAT ARE ATTACHED TO ONLY A THIN METAL OR FIBERGLASS SKIN WILL NOT SUPPORT THE TORQUE THE SIDEOUT KOVER GENERATES!**



- Attach the Stamped Universal Sideout Kover bracket to the slideout face and into the sidewall and roof line with the #12 x 1" hex head screws provided.
- Once the awning rail is mounted, remove tape from roller assembly and unwrap (1) wrap of material to allow for easy insertion into awning rail.

3. INSTALLING ROLLER ASSEMBLY

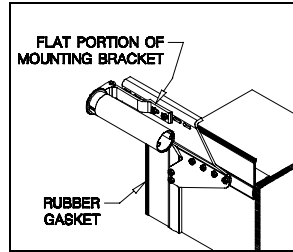
- A. Insert the extruded mounting brackets into the end plugs on the roller assembly. Attach the brackets to the end plugs with the (4) #10 x 3/4" hex head screws as shown, right.



- B. Slide entire Kover into awning rail and center over slideout.

- C. Position the extruded mounting brackets that are now attached to the roller assembly on to the flat surface of the stamped universal mounting bracket. They should be positioned in line with the series of holes in the universal mounting bracket already attached.

- G. Mark the location of the extruded brackets on the stamped universal mounting bracket.



- H. Remove two black #10 x 3/4" hex head screws from each of the end plugs, and disengage the extruded mounting brackets from the roller assembly. **DO NOT DISCARD SCREWS!**

- I. Position the extruded brackets at the previously marked location. Attach the extruded kover brackets to the stamped universal mounting brackets using the 1/4" x 20 bolts, nuts and washers provided.

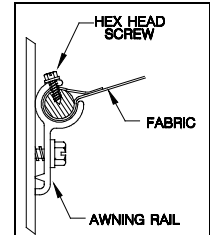
3. INSTALLING ROLLER ASSEMBLY (cont.)

- G. Place the roller assembly end plugs over previously mounted, extruded brackets.
- H. Attach the roller assembly to the extruded brackets with the four previously removed black #10 x 3/4" hex head screws.
- I. Carefully remove cotter pins from each end cap.
CAUTION: THE COTTER PINS ARE HOLDING THE PRE-WOUND TENSION ON THE ROLLER ASSEMBLY. CARE MUST BE TAKEN TO PREVENT ANY DAMAGE OR INJURY WHEN REMOVING THESE PINS.

5. SECURING THE KOVER

- A. Extend and retract slideout a few times to verify the Kover is centered and rolling up straight.

- B. Drill two 3/32" holes through awning rail, polycord and Kover approximately 2" from each end of the Kover. Secure Kover using a #6 x 3/8" hex head screw in each hole.



SECTION IV: OPERATING INSTRUCTIONS

1. TO EXTEND SIDEOUT KOVER

- A. Extend slideout to its full extension.
- B. The Sideout Kover will automatically unroll attaining full coverage when slideout achieves maximum extension.

NOTE: ROOM MUST EXTEND STRAIGHT (EQUAL AT BOTH ENDS) IN ORDER FOR THE FABRIC TO TIGHTEN UP UPON FULL EXTENSION!

NOTE: WATER MAY POOL ON TOP OF THE EXTENDED KOVER; AND THE WATER WILL BE DUMPED AUTOMATICALLY AS THE SLIDEOUT IS RETRACTED.

2. TO RETRACT SIDEOUT KOVER

- A. Retract slideout to the complete closed position.
- B. The Sideout Kover will automatically roll up to the travel position when the slideout is completely closed.
- NOTE: WHEN RETRACTING SLIDEOUT IT IS A GOOD IDEA TO STOP THE ROOM AT THE HALFWAY POINT AND ENSURE FABRIC IS ROLLING PROPERLY BEFORE CONTINUING RETRACTION.**

SECTION V: CARE AND MAINTENANCE

CARE OF SIDEOUT KOVER

CLEANING:

Mildew will not form on the awning material itself, but may form on the dust allowed to accumulate on the canopy. A mild cleaner like soap and water) will keep your awning looking new. Once cleaned make sure the awning is rinsed thoroughly and is dried before storing.

DO NOT USE BLEACH!

MAINTENANCE

Periodically check all fasteners to make sure they remain tight. If fasteners become loose, see that they are adequately re-tightened right away.

SECTION VI: WARRANTY

1. **Duration:** Two & Four Year Limited Warranty. Two years parts labor and freight on canopy, four years parts labor and freight on springs, roller and hardware.
2. **Who gives this warranty?**
Carefree of Colorado, A Scott Fetzer Company (the "Company").
3. **Who receives this warranty?**
The original purchaser (the "Purchaser"), other than for purposes of resale, of a Sideout Kover. This warranty is not transferable.
4. **Responsibilities of the Company under this warranty.**
Repair or replace at Warrantor's option, of the covered part(s) which Warrantor, in the exercise of its reasonable discretion, determines to be effective; provided that the Warrantor receives notice of the defect within the stated warranty period for the respective product/ component. Warrantor will also pay the respective servicing dealer or agent for performing any repairs authorized by Warrantor as per the terms of this warranty. Company will allow for freight and labor charges - labor is based on Flat Rate Form. CHARGES FOR TRAVEL TIME AND MILEAGE ARE NOT COVERED BY THE WARRANTY.
5. **Responsibilities of the Purchaser under this warranty.**
 - A. Promptly notify seller, or alternately, the Company of any claim hereunder.
 - B. Retain dated proof of purchase for specified product, and provide it as requested.
 - C. Inspect the awning upon purchase to confirm the condition of the canopy and the proper operation of the product.
 - D. Perform "Periodic Preventative Maintenance" as specified in Owners Manual.
 - E. Deliver any product claimed or found defective during warranty period to the nearest Carefree of Colorado Authorized Service Dealer. The Original Purchaser is responsible for any expenses related to delivery or pick up of product to/from the Service Dealer. Visit carefreeofcolorado.com for the name of nearest Authorized Service Dealer, or call Carefree a the phone number shown above.
 - G. At the option the Company, return the product or part to Carefree Colorado for inspection. Carefree Authorization to Return form must be obtained before any product or part is returned.
 - H. Use reasonable care in maintenance, operation, use and storage of the product in accordance with the instructions contained in the owner's manual.
6. **What is covered by this warranty?**
 - A. Defects on the manufacturer's material and workmanship of product under normal use, and which occur within the duration of the warranty period. On all awnings, the following parts are covered only as follows: (a) Fabrics, free from quality defects (normal wear and fading are excluded); (b) Roller Tube, against extrusion defects; (c) Springs (or Motor) Assembly(ies), against breakage; and (d) Hardware, against extrusion defects.
 - B. Sideout Kover Roller Tube--4 Year Limited Warranty
Sideout Kover roller tube is warranted not to break for four years THIS DOES NOT INCLUDE HIGH WINDS OR WATER POOLING ON THE CANOPY.
 - C. Sideout Kover Spring Assembly--4 Year Limited Warranty.
Sideout Kover springs are warranted not to break or pull loose if not overwound or subjected to high winds or water pooling on the canopy.
 - B. Sideout Kover Canopy--2 Year Limited Warranty
Sideout Kover canopy material is warranted against
 - 1) Excessive fading (there is always slight color change due to ultraviolet rays):
 - 2) Mildew (however, mildew will form on dirt which has not been removed);
 - 3) Cracking, peeling hardening, sagging or loss of strength if not subjected to high winds or water pooling on the canopy.

7. **What is not covered under this warranty?**
 - A. Fabric damage such as pinholes or tears not reported within ten (10) calendar days of purchase.
 - B. Improper installation and/or any damage or failure that results from improper installation of the product, including fabric damage caused by improper installation.
 - C. Product abuse and normal wear. "Normal Wear" includes the occasional need to re-tension the awning.
 - D. Conditions that are not related to the material or workmanship of the product: including any failure that results from an accident, wind, rain, water pooling, or other acts of God; purchaser's abuse; neglect; failure to operate, or use or maintain the product in accordance with the instructions provided in the Owners Manual supplied with the product; (failure to operate the product(s) in accordance with instructions in the Owner's Manual and on the product shall also include the removal or alteration of any product component or device. In the event of any such removal or alteration, this warranty is void).
 - E. Any component not sold or manufactured by the Company.
 - F. ANY INCIDENTAL, INDIRECT, OR CONSEQUENTIAL LOSS, DAMAGE, OR EXPENSE THAT MAY RESULT FROM ANY DEFECT, FAILURE, OR MALFUNCTION OF THE CAREFREE OF COLORADO PRODUCT. Some states do not allow the exclusion or limitation on incidental or consequential damages, so the above limitation or exclusion may not apply to you.
 - G. Damage while traveling due to the awning not being properly stowed.
 - H. Any failure that results from the use of another product with a Warrantor's product that is not specifically approved by the Warrantor.
8. **When Warrantor will perform repair or replacement under warranty.**
 - A. Repair or replacement will be scheduled and performed according to normal work flow at the nearest Authorized Service Dealer, and depending on the availability of replacement parts.
 - B. If the Purchaser does not receive satisfactory results from the Authorized Service Dealer, the Purchaser should contact the Carefree of Colorado Customer Care Department.

THIS WARRANTY GIVES YOU SPECIFIC LEGAL RIGHTS AND YOU MAY ALSO HAVE OTHER RIGHTS WHICH VARY FROM STATE TO STATE. No action to enforce this warranty shall be commenced later than 30 days expiration of the warranty period. The duration of this Limited Warranty also limits the duration of any implied warranty such as warranty of merchantability or fitness for a particular use or purpose. Some states do not allow such limitations so the implied warranty limitation may not apply to you. Carefree of Colorado reserves the right to change the specifications and design of any product without notice and with no obligation to make corresponding changes to products previously manufactured.

**Carefree
of Colorado**

Scott Fetzer Company
2145 W. 6th Ave
Broomfield, CO 80020
(800) 622-3230