



## DV1628 Owner's Manual



### Thank you!

Thank you for choosing a JENSEN product. We've tried to make the instructions in this owner's manual clear and easy to follow. If you take a few minutes to look through it, you'll learn how to use all of the features of your new JENSEN AM/FM/CD/DVD player for maximum enjoyment.

<b>Installation</b> .....	<b>1</b>
<b>Troubleshooting</b> .....	<b>3</b>
<b>Operation</b> .....	<b>4</b>
<b>Specifications</b> .....	<b>16</b>
<b>Warranty</b> .....	<b>17</b>

## Installation:

### Getting Started.

It is a good idea to read all of the instructions before you begin the installation.

#### Tools and supplies needed:

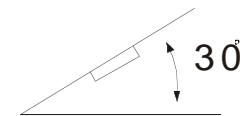
- Flat and Phillips screwdrivers
- Wire cutters and strippers
- Tools to remove existing radio
- Electrical tape
- Crimping tool
- Volt meter/ Test light
- Crimp connections
- Speaker Requirements: Only connect speakers rated in the load impedance range of 4 Ohms. Speakers with a load impedance less than 4 Ohms could damage the unit

#### 1. Prepare:

- Disconnect battery. Before you begin always disconnect the battery's negative terminal

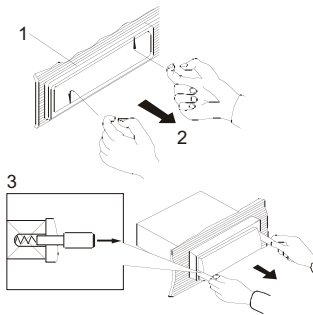
#### 2. Mounting angle:

- Do not exceed a 30° mounting angle. Improper operation of the unit could occur if the mounting angle is exceeded.



#### 3. Removal of factory radio or DV1628:

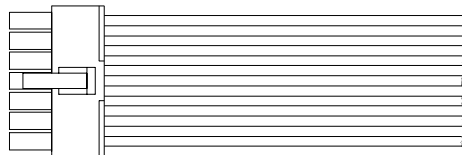
- Use factory radio or DV1628 removal tools to remove the radio from the DIN opening.



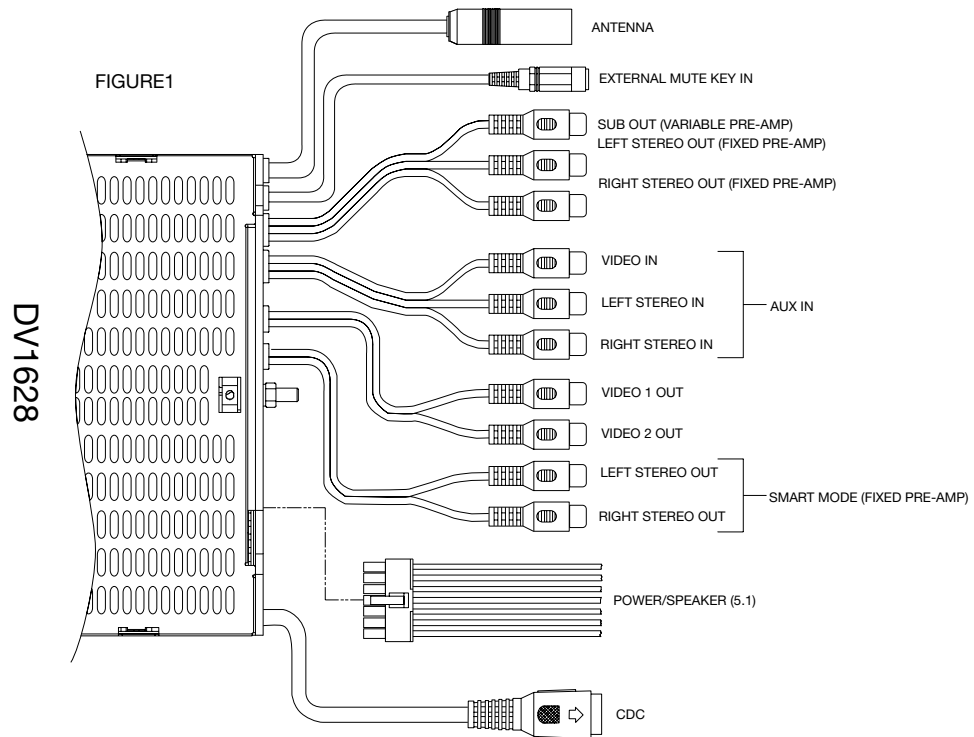
4. Wire Connections:

- See Figure #1

Pin #	Wire Color	Function
1	Violet w/ Black stripe	Right Rear speaker (-)
2	Green w/ Black stripe	Rear L Speaker (-)
3	Brown w/ Black stripe	Center Speaker (-)
4	White w/ Black stripe	Front L Speaker (-)
5	Gray w/ Black stripe	Front R Speaker (-)
6	Blue	Power Antenna (Trigger)
7	Black	Ground (-)
8	Violet	Rear R Speaker (+)
9	Green	Rear L Speaker (+)
10	Brown	Center Speaker (+)
11	White	Front L Speaker (+)
12	Gray	Front R Speaker (+)
13	Red	12 V Plus (+)
14	Yellow	Memory 12 V+ (Battery)



POWER/SPEAKER (5.1)



## Troubleshooting:

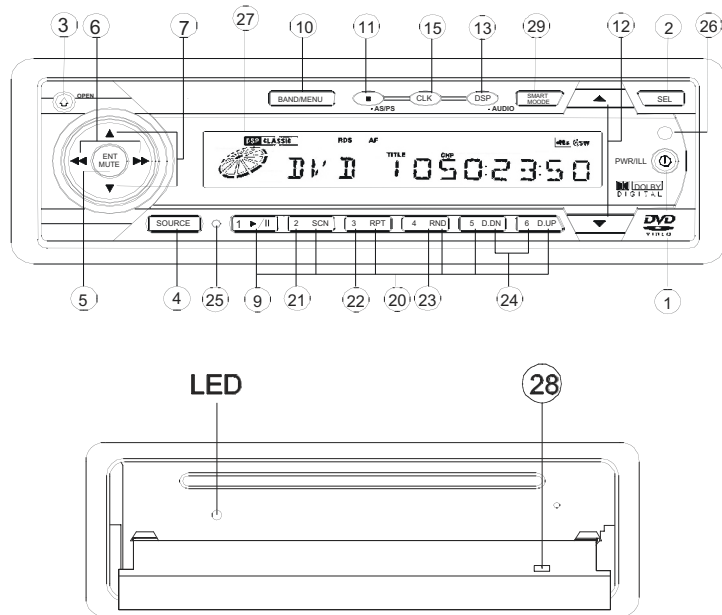
PROBLEM	CAUSE	CORRECTIVE ACTION
Does not operate, display does not light.	No power to Yellow wire, No power to Red	Check power connection with Multi-meter. Check fuse for continuity with Multi-meter.
	Inline fuse blown	Replace fuse.
No power to unit	Inline fuse blown	Check and/or replace fuse.
No Audio to speakers	Speaker harness not connected	Check speaker wires, connect harness.
Blows fuses	Power wire shorting to ground	Make sure wire is not pinched.
	Speaker wires shorting to ground	Make sure wire is not pinched.
	Incorrect fuse/ rating too small	Replace with proper fuse.
CD/DVD skips	Mounting angle is too great or not secure.	Check proper mounting angle and/or mounting strap for secure mounting.
	Dirty laser.	Use CD/DVD cleaning kit.

ERROR DISPLAY		
CDP and CDC		
ERR1 appears on display	Mechanism Error	Press Reset button.
ERR6 appears on display	Sled Error	Press Reset button.
CDP ONLY		
ERR2 appears on display	Servo Error	Press Reset button.
ERR7 appears on display	TOC reading error	Check disc - disc may be dirty or upside down. If not press the reset button.
CDC ONLY		
ERR2 appears on display	TOC reading error	Check disc - disc may be dirty or upside down. If not press the reset button.
ERR3 appears on display	Temperature error	Press Reset button.
ERR7 appears on display	Disc and Servo error	Press Reset button.

## Operation:

### 1. Front Panel / Remote Control

- Controls

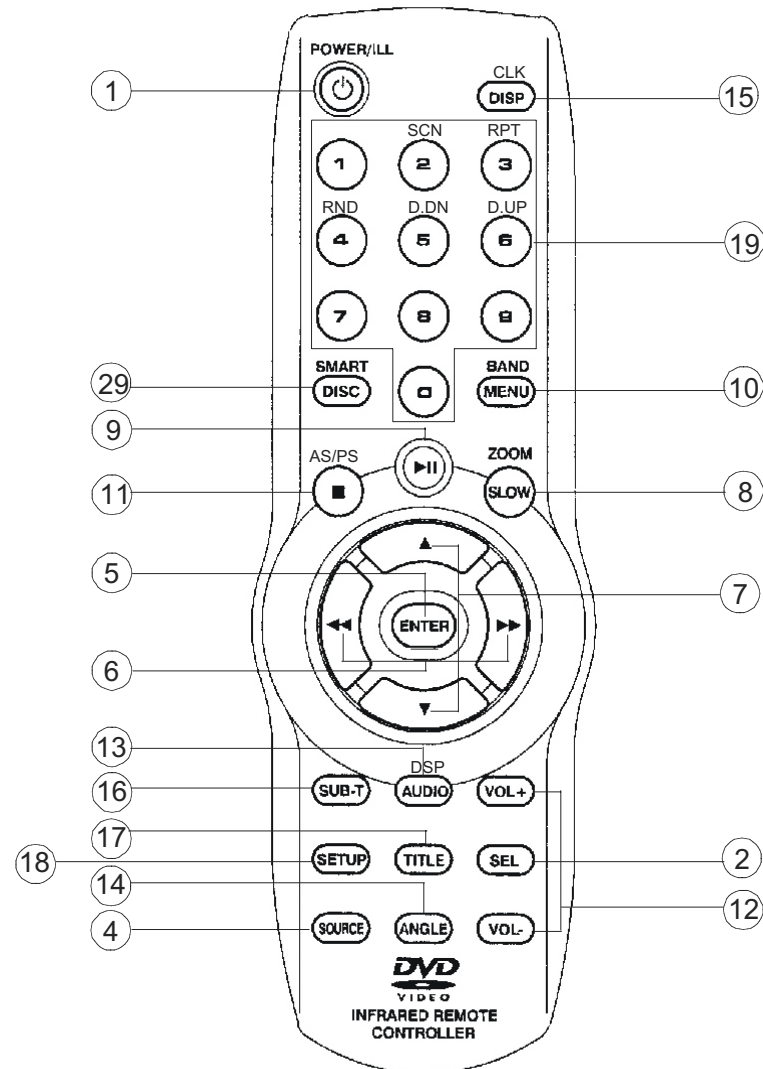


- Power Button:** Press the Power button to turn the unit on. Press and hold for 2 seconds to turn the unit off. Press the Power button when the unit is on to select 4 different brightness settings for the panel.
- SEL:** Selects the audio effect. Press the select button to choose the desired Bass, Treble, or speaker setting. Use the VOL+ and VOL- button to adjust the levels.
- Open:** Opens the front panel to allow access to the CD/DVD slot.

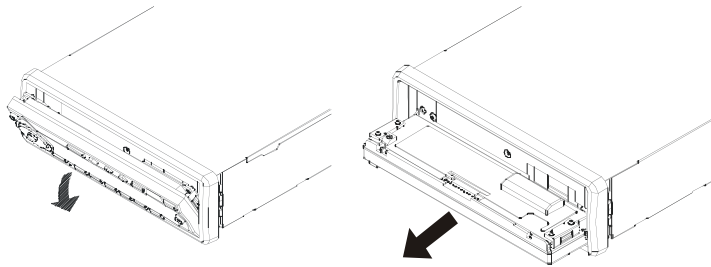
- Source:** Press the source button to toggle between Radio, CD/DVD, CDC/DVDC, and Aux mode. (NOTE: CDC/DVDC mode is active only if a changer is connected. This source will be skipped if a changer is not installed.) Press and hold the Source button for 2 seconds to mute the rear speaker and subwoofer. Press and hold for 2 more seconds to re-activate the rear speakers and subwoofer.
- Enter / Mute:** Press the Enter button to select the highlighted menu bar. Press and hold the Enter button for 2 seconds to mute the speakers.
- ◀◀/▶▶:** Press the ▶▶ to fast forward the track. Press the ◀◀ to rewind the track.
- ▲/▼** Press the ▲ to skip to the next track, press the ▼ to skip to the previous track.
- Slow/Zoom:** Activate the slow forward or zoom function.
- ▶/||** Pause/Play button. Press once to pause the CD/DVD, press again to resume play.
- Band/Menu:** In radio mode, press the Band/Menu button to change from AM/FM bands. In DVD mode, press the Band/Menu button to activate the DVD menu.
- /AS/PS:** In DVD mode, press the ■ /AS/PS to stop the DVD. In Radio mode, press the ■ /AS/PS to access the Automatic memory storing and preset scanning mode. Press and hold the button for 2 seconds to scan through the 6 preset stations.
- Vol + / Vol -** Controls the volume level, press the Vol+ button to increase the volume and the Vol- button to decrease the volume.
- Audio/DSP:** Chooses the audio soundtrack and the preset EQ. **DVD mode:** Press and hold for 2 seconds to change the language soundtrack. Feature is activated only if the DVD is recorded with multi language soundtracks. **CD Mode:** Press and hold for 2 seconds to change from Stereo, Mono left and Mono right mode. Press once to

toggle between EQ settings, each press will toggle from Flat, Classic, Pop, Rock, to off.

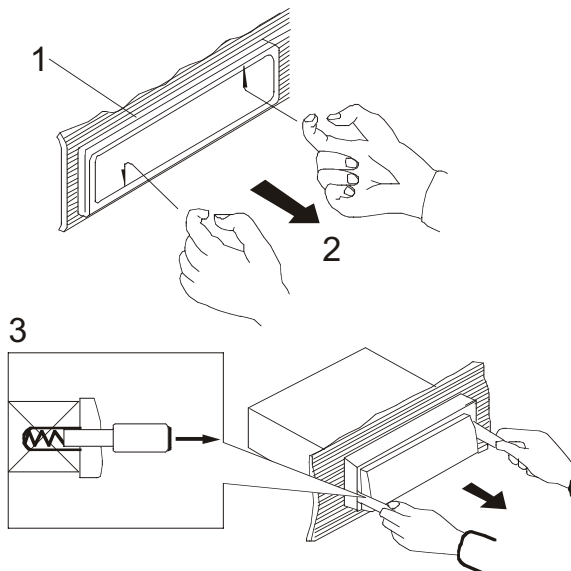
14. **Angle:** Allows the viewer to view the DVD at different angles if the DVD is recorded with this feature. Press the angle button while the DVD is Stopped. Then press the ◀▶ to adjust the brightness and contrast levels.
15. **Disp/Clock:** Press to display the Clock or Disc information. **Setting the clock:** Press and hold the Disp/Clock button until the display begins to flash. Press the #6 ◀▶ to adjust the hours or minutes.
16. **Subtitle:** Changes the subtitles language on the DVD if the DVD is recorded with this feature.
17. **Title:** Displays the title that is stored on the CD/DVD.
18. **Setup:** Displays the setup menu.
19. **0-9:** Numeric key buttons.
20. **M1-M6:** Selects the Radio stations stored in the memory.
21. **Scan:** Scans the entire disc and plays the first 10 seconds of each track.
22. **Repeat:** Replays the current disc or track.
23. **Random:** Plays the disc in random.
24. **Disc- / Disc+:** Chooses the CD/DVD, ( only if CDC or DVDC is connected).
25. **Reset:** Reset button, press only if the unit is locked up. This resets the unit to the factory settings.
26. **Remote IR:** Receiving sensor for the remote control.
27. **Display:** Main unit display
28. **Eject:** Eject the CD or DVD
29. **Smart Mode / Disc:** Press the Smart mode button to put the unit into Smart mode. See Smart mode function. In DVD changer mode ( Only if DVDC is connected ) press the button to enter the Disc Menu.



- Front Panel removal:
  - a. Press the open button #3.
  - b. Press the middle release button and pull the panel straight out.



- Radio Removal
  - a. Grab the grooves of the front frame with fingers and pull.
  - b. Insert the supplied levers inside the grooves on the right and left hand side of the radio. Pull the levers out as shown.



## 2. MP3 Compatible:

This unit supports the following MP3 CD formats:

- Joliet
- Romeo
- ISO9660

## 3. Smart Mode function:

The Smart Mode feature allows the user to listen to two different audio sources at the same time. One source can be selected through the speaker system while the DVD can be listened to through an external audio source. Ex. IR transmitter for wireless headphones.

- Smart mode is activated only in DVD mode.
- Press Source button #4 to enter DVD mode.
- Press Smart button #29 to activate Smart Mode
- Press Smart button #29 again to deactivate Smart Mode.
- When Smart Mode is active, Smart Mode will be displayed in the top right corner of the Radio display.
- Pressing the Source button #4 while in Smart mode will change the Audio source being played on the speakers. The Smart Mode audio to the external audio source will remain DVD.

### **Initial Setup:**

Press the Setup #18 button to enter the Setup mode.

SETUP MENU -- MAIN PAGE
GENERAL SETUP
SPEAKER SETUP
AUDIO SETUP
PREFERENCES
EXIT SETUP

Press the Down #7 key to highlight the desired Setup screen.  
Press the Enter button to select the desired Setup screen.

### **General Setup:**

-- GENERAL PAGE --	
TV DISPLAY	NORMAL/PS
TV TYPE	NORMAL/LB
PIC MODE	WIDE
ANGLE MARK	
OSD LANG	
CAPTIONS	
MAIN PAGE	

### **General Setup Cont.:**

#### **TV Display:**

Selects the appropriate TV aspect ratio, 4:3 or 16:9

- Normal / PS
  - Pan and Scan for 4:3 aspect ratio. If selected while using a 16:9 TV, the left and right edges will be cut off.
- Normal / LB
  - Letterbox style for 4:# aspect ratio. If connected to a wide-screen TV, black bands will appear on the top and bottom of the screen.
- WIDE
  - Select when using a 16:9 formatted TV

#### **TV Type:**

-- GENERAL PAGE --	
TV DISPLAY	
TV TYPE	MULTI
PIC MODE	NTSC
ANGLE MARK	PAL
OSD LANG	
CAPTIONS	
MAIN PAGE	

- Multi
  - Automatically selects the DVD format when inserted
- NTSC
  - Select when using a DVD formatted as NTSC
- PAL
  - Select when using a DVD formatted as PAL

**PIC Mode:**

-- GENERAL PAGE --	
TV DISPLAY	
TV TYPE	
PIC MODE	AUTO
ANGLE MARK	FILM
OSD LANG	VIDEO
CAPTIONS	SMART
	SSMART
MAIN PAGE	

- Auto
  - PIC mode automatically selects the setting depending on the DVD.
- Film
  - Suitable for film or progressive source.
- Video
  - Select Video for best image resolution.
- Smart
  - When the TV output is progressive, additional vertical processing is applied.
- SSmart
  - When the TV output is progressive, pixel based motion adaptive de-interlacing is activated.

**Angle Mark:**

-- GENERAL PAGE --	
TV DISPLAY	
TV TYPE	
PIC MODE	
ANGLE MARK	ON
OSD LANG	OFF
CAPTIONS	
MAIN PAGE	

Changes the viewing angle of multi-angle DVD s. If the DVD does not have this feature, the viewing angle will not have any effect.



**OSD Language Setup:**

-- GENERAL PAGE --	
TV DISPLAY	ENGLISH
TV TYPE	FRENCH
PIC MODE	GERMAN
ANGLE MARK	
OSD LANG	
CAPTIONS	SPANISH
MAIN PAGE	

Selects the Language that the OSD will be displayed in.

**Closed Captioning:**

-- GENERAL PAGE --	
TV DISPLAY	
TV TYPE	
PIC MODE	
ANGLE MARK	
OSD LANG	
CAPTIONS	ON
	OFF
MAIN PAGE	

Turns the Closed Captioning on and off.

**Speaker Setup:**

SETUP MENU -- MAIN PAGE
GENERAL SETUP
SPEAKER SETUP
AUDIO SETUP
PREFERENCES
EXIT SETUP

**Down Mix:**

- LT/RT
  - Activates Dolby Surround compatible output.
- STEREO
  - Activate simple Stereo mode.
- OFF
  - Turns stereo mode off to enable Downmix

**Speaker selection:**

DOWNMIX	
CENTER	ON
REAR	OFF
SUBWOOFER	
CNTR DELAY	
REAR DELAY	
TEST TONE	
BASS	
MAIN PAGE	

DOWNMIX	
CENTER	
REAR	
SUBWOOFER	— 15MS
CNTR DELAY	— 9MS
REAR DELAY	— 3MS
TEST TONE	— OFF
BASS	
MAIN PAGE	

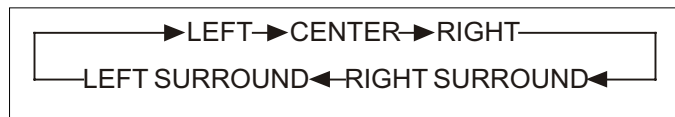
Highlight the desired speaker selection then the ON / OFF Selection to turn the desired speaker ON or OFF. Individual speaker selection is active only in Downmix mode.

Select Rear Delay and / or CNTR Delay to control the delay of the audio signal to the Rear and Center speakers.

DOWNMIX	
CENTER	
REAR	
SUBWOOFER	— 5MS
CNTR DELAY	— 3MS
REAR DELAY	— 1MS
TEST TONE	— OFF
BASS	
MAIN PAGE	

DOWNMIX
CENTER
REAR
SUBWOOFER
CNTR DELAY
REAR DELAY
TEST TONE
ON
BASS
OFF
MAIN PAGE

**Test Tone:** By selecting TEST TONE, the unit will send a tone to each of the speakers in the following order:



**AUDIO SETUP:**

-- DOLBY DIGITAL SETUP --	
SPDIF	OFF
OP MODE	ON
DUAL MONO	
D R C	
LPCM OUTPUT	
MAIN PAGE	

**SPDIF** - Turns the SPDIF optical output Off and On

-- DOLBY DIGITAL SETUP --	
SPDIF	
OP MODE	LINE MODE
DUAL MONO	
D R C	
LPCM OUTPUT	
MAIN PAGE	

**OP Mode** — Only one operating mode for the Dolby Digital decoder.

-- DOLBY DIGITAL SETUP --	
SPDIF	
OP MODE	
DUAL MONO	STEREO
D R C	CH1 MONO
LPCM OUTPUT	CH2 MONO
	MIX - MONO
MAIN PAGE	

### Dual Mono:

The dual mono reproduction is for the Dolby Digital program with 1+1 Audio code mode.

- **Stereo** —Reproduces 1+1 program CH1 for left channel, CH2 for right channel
- **CH1 Mono** —Reproduces CH1 in both left and right output.
- **CH2 Mono** —Reproduces CH2 in both left and right output.
- **Mix Mono** — Reproduces CH1 + CH2 in both left and right output.

-- DOLBY DIGITAL SETUP --	
SPDIF	— FULL
OP MODE	—
DUAL MONO	— 6/8
D R C	— 4/8
LPCM OUTPUT	— 2/8
	— OFF
MAIN PAGE	

### DRC — Dynamic Range Control:

Select DRC to adjust the dynamic range of the Dolby Digital encoded program.

-- DOLBY DIGITAL SETUP --	
SPDIF	
OP MODE	
DUAL MONO	
D R C	
LPCM OUTPUT	LPCM 48K
	LPCM 96K
MAIN PAGE	

### LPCM Output:

Sets the LPCM output sample rate.

**Language Setup screens:**

-- PREFERENCES PAGE --	
AUDIO	ENGLISH
SUBTITLE	FRENCH
DISC MENU	SPANISH
LOCALE	CHINESE
PARENTAL	JAPANESE
PASSWORD	GERMAN
SMART NAV	
DEFAULTS	
MAIN PAGE	

-- PREFERENCES PAGE --	
AUDIO	
SUBTITLE	ENGLISH
DISC MENU	FRENCH
LOCALE	SPANISH
PARENTAL	JAPANESE
PASSWORD	CHINESE
SMART NAV	GERMAN
DEFAULTS	ITALIAN
MAIN PAGE	

**Audio** — Selects the language to be heard through the audio output.  
**Disc Menu** —Selects the language to be displayed for the Disc Menu.  
**Subtitle** —Selects the language to be displayed for the subtitles.

-- PREFERENCES PAGE --	
AUDIO	ENGLISH
SUBTITLE	FRENCH
DISC MENU	SPANISH
LOCALE	CHINESE
PARENTAL	JAPANESE
PASSWORD	GERMAN
SMART NAV	
DEFAULTS	OFF
MAIN PAGE	

**Parental Controls:**

-- PREFERENCES PAGE --	
LANGUAGE	1 G
SUBTITLE	2
DISC MENU	3 PG
LOCALE	4 PG 13
PARENTAL	5
PASSWORD	6 PG - R
SMART NAV	7 NC - 17
DEFAULTS	8 ADULT
MAIN PAGE	NO_PARENTAL

Allows the parents to set a certain rating of movie that may be viewed. Highlight the Max rating desired for viewing and press enter. Movies above this rating will not be allowed to be viewed without the proper password.

**PASSWORD:**

-- PREFERENCES PAGE --	
LANGUAGE	
SUBTITLE	
DISC MENU	
LOCALE	
PARENTAL	
PASSWORD	CHANGE
SMART NAV	
DEFAULTS	
MAIN PAGE	

**Setting a new password** — Select change and press enter. Type in the old password and press enter. The factory default password is 3308. Type in a new 4 digit password.

**Smart NAV:**

-- PREFERENCES PAGE --	
LANGUAGE	
SUBTITLE	
DISC MENU	
LOCALE	
PARENTAL	
PASSWORD	
SMART NAV	NO MENU
DEFAULTS	WITH MENU
MAIN PAGE	

This sets the play style for playing MP3 discs.

-- PREFERENCES PAGE --	
LANGUAGE	
SUBTITLE	
DISC MENU	
LOCALE	
PARENTAL	
PASSWORD	
SMART NAV	
DEFAULTS	RESET
MAIN PAGE	

**Reset** —Restores the factory default settings.

**Default Table:**

GENERAL SETUP	TV DISPLAY	WIDE
	TV TYPE	MULTI
	PIC MODE	AUTO
	ANGLE MARK	ON
	OSD LANGUAGE	ENGLISH
	CAPTION	OFF
SPEAKER SETUP	DOWNMIX	OFF
AUDIO SETUP	SPDIF	OFF
	OP MODE	LINE MODE
	DUAL MONO	STEREO
	DRC	OFF
	LPCM OUTPUT	LPCM 96K
PREFERENCES	AUDIO	ENGLISH
	SUBTITLE	ENGLISH
	DISC MENU	ENGLISH
	LOCALE	USA
	PARENTAL	NO-PARENTAL
	PASSWORD	3308
	SMART NAV	WITH MENU

**GENERAL SPECIFICATIONS:**

**Power Supply Requirements** : DC 12 Volts, Negative Ground  
**Chassis Dimensions(mm)** : 178(W) x 160(D) x 50(H)

**Tone Controls**

- Bass (at 100 HZ) : +14dB/-14dB  
 - Treble (at 10 KHZ) : +14dB/-14dB  
 - SUPER BASS : 3 level

**Maximum Output Power**

With Power amplifier : 5x40W  
 LINE Output Level(DVD) : 4V rms  $\pm$ 0.3V

**Current Drain**

- With Power Amplifier : 15 Ampere (max.)  
 - Without Power Amplifier : less than 2.0A

**DVD PLAYER**

Signal to Noise Ratio : More than 70 dB  
 Channel Separation : More than 70 dB  
 Frequency Response : 20 Hz - 20 KHz+1dB  
 Video Signal : composite 1.0Vpp (75  $\bar{w}$  load)

**RADIO**

FM Frequency Range : 87.5 to 108.0 MHz (Europe Version)  
 : 87.5 to 107.9 MHz (USA Version)

: 10.7 MHz  
 Sensitivity (S/N = 30 dB) : <5  $\mu$  V  
 Stereo Separation : > 30 dB

**AM**

Frequency coverage : 522 to 1620 KHz (Europe Version)  
 : 530 to 1710KHz (USA Version)  
 IF : 450 KHz  
 Sensitivity (S/N = 20 dB) : <35 dBu

**Note:**

Specifications and design are subject to modification, without notice,  
 due to improvements in technology.



## **WARRANTY**

---

### **90 DAY / 12 MONTH LIMITED WARRANTY**

AUDIOVOX SPECIALIZED APPLICATIONS, LLC (the Company) warrants to the original retail purchaser of this product that should this product or any part thereof, under normal use and conditions, be proven defective in material or workmanship within 90 days from the date of original purchase, such defect(s) will be repaired or replaced (at the Company's option) without charge for parts and repair labor. After the initial 90 day period and for a period of 12 months from the date of the original purchase, the Company will supply at no charge a replacement for any defective part(s).

To obtain repair or replacement within the terms of this warranty, the end user should contact the O.E.M. The product is to be delivered with proof of warranty coverage (e.g. dated bill of sale, and serial number of the unit, and vin#), specification of defect(s), transportation prepaid, to an approved warranty station.

This warranty does not extend to the elimination of externally generated static or noise, to the correction of antenna problems, to costs incurred for removal or reinstallation of the product, or to damage to any tapes, cd s, dvd s, speakers, accessories, or electrical systems.

This warranty does not apply to any product or part thereof which, in the opinion of the Company, has been damaged through alteration, improper installation, mishandling, misuse, neglect, or accident. THE EXTENT OF THE COMPANY'S LIABILITY UNDER THIS WARRANTY IS LIMITED TO THE REPAIR OR REPLACEMENT PROVIDED ABOVE, AND, IN NO EVENT, SHALL THE COMPANY'S LIABILITY EXCEED THE PURCHASE PRICE PAID BY THE PURCHASER FOR THE PRODUCT.

This warranty is in lieu of all other express warranties or liabilities. ANY IMPLIED WARRANTIES, INCLUDING ANY IMPLIED WARRANTY OF MERCHANTABILITY, SHALL BE LIMITED TO THE DURATION OF THIS WARRANTY. ANY ACTION FOR BREACH OF ANY WARRANTY HEREUNDER INCLUDING ANY IMPLIED WARRANTY OF MERCHANTABILITY MUST BE BROUGHT WITHIN A PERIOD OF 30 DAYS FROM THE DATE OF ORIGINAL PURCHASE. IN NO CASE SHALL THE COMPANY BE LIABLE FOR ANY CONSEQUENTIAL OR INCIDENTAL DAMAGES FOR BREACH OF THIS OR ANY OTHER WARRANTY, EXPRESS OR IMPLIED WHATSOEVER. No person or representative is authorized to assume for the Company any liability other than that expressed herein in connection with the sale of this product.

Some states do not allow limitations on how long an implied warranty lasts or the exclusion or limitation of incidental or consequential damages so the above limitations or exclusions may not apply to you. This warranty gives you specific legal rights and you may also have other rights which vary from state to state.

AUDIOVOX SPECIALIZED APPLICATIONS, LLC.  
Visit us at [www.asaelectronics.com](http://www.asaelectronics.com)



[www.asaelectronics.com](http://www.asaelectronics.com)