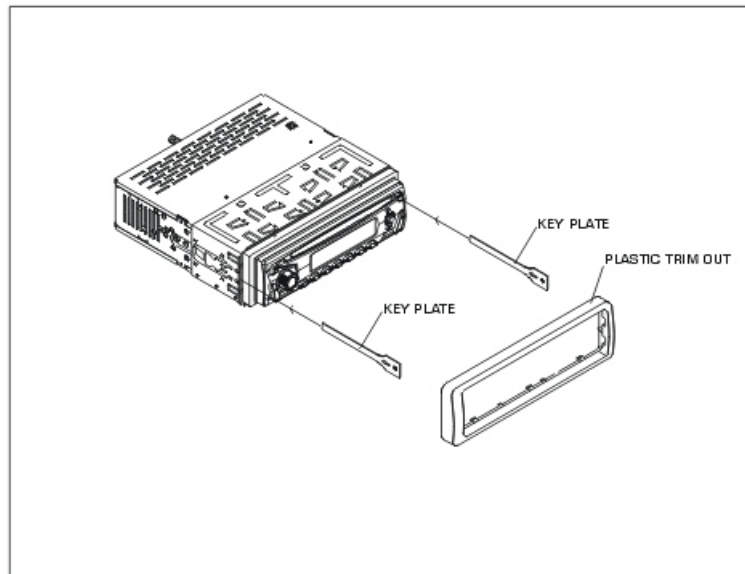
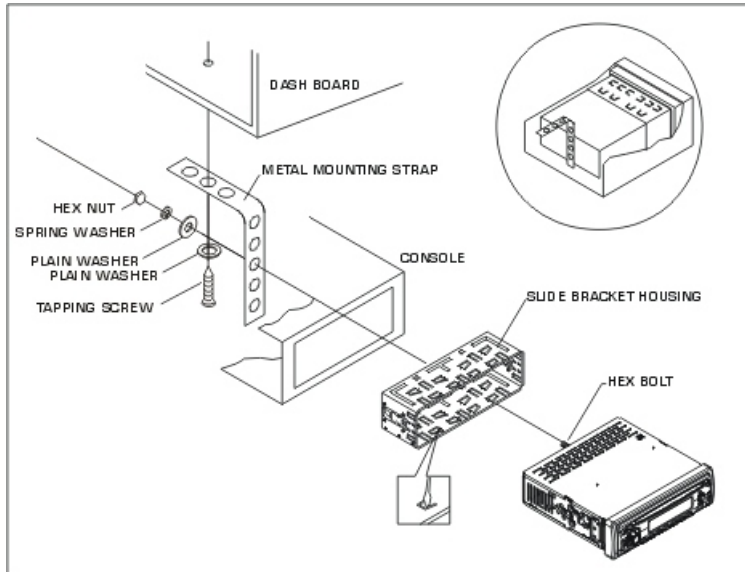
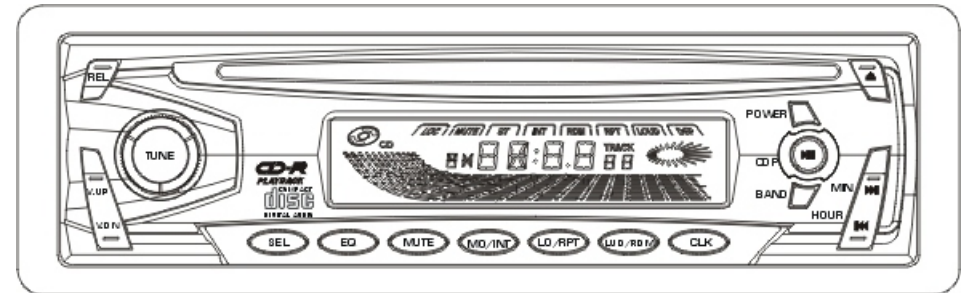


INSTALLATION



PYRAMID

INSTRUCTION MANUAL



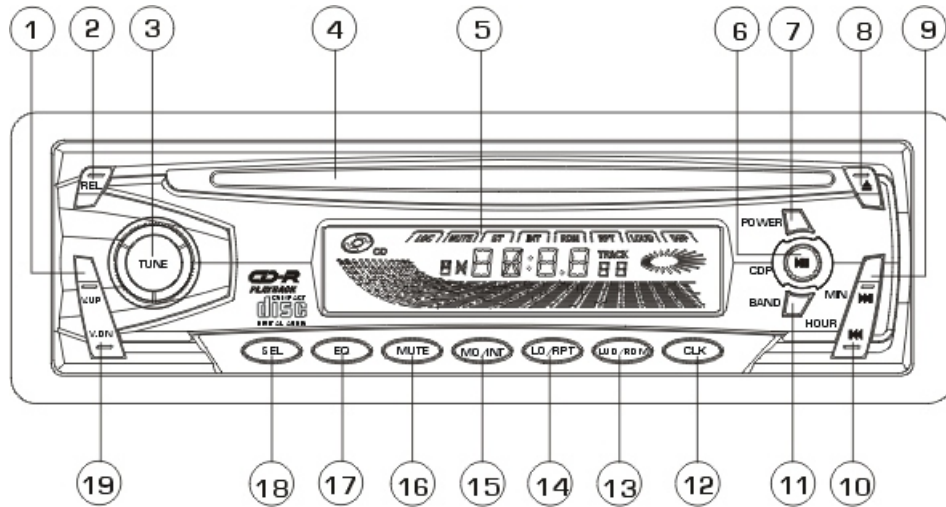
160WATTS

**AUTO-LOADING COMPACT DISC PLAYER
WITH AM/FM-STEREO MANUAL TUNING RADIO
ANTI-THEFT DETACHABLE FRONT PANEL**

CDR49

www.pyramidcaraudio.com

LOCATION AND FUNCTION OF CONTROLS



1.18.19. SEL(AUDIO MODE SELECT)/VOLUME UP/DN BUTTONS

Press SEL button to change the mode in the sequence of



- The volume level can be adjusted at any time by pressing the UP or DN button as select mode has been initially defaulted at volume mode.
- The volume level is also obtained by stepping through the SEL button until the word VOL is displayed and then press UP or DN button to adjust the sound level.
- Press and hold the UP or DN button to adjust the sound level.

BASS CONTROL

- Press the SEL button to select the bass mode until BAS appears on the display.
- Press UP or DN button to adjust the bass effect.

TREBLE CONTROL

- Press the SEL button to select the treble mode until TRE appears on the display.
- Press UP or DN to adjust the treble effect.

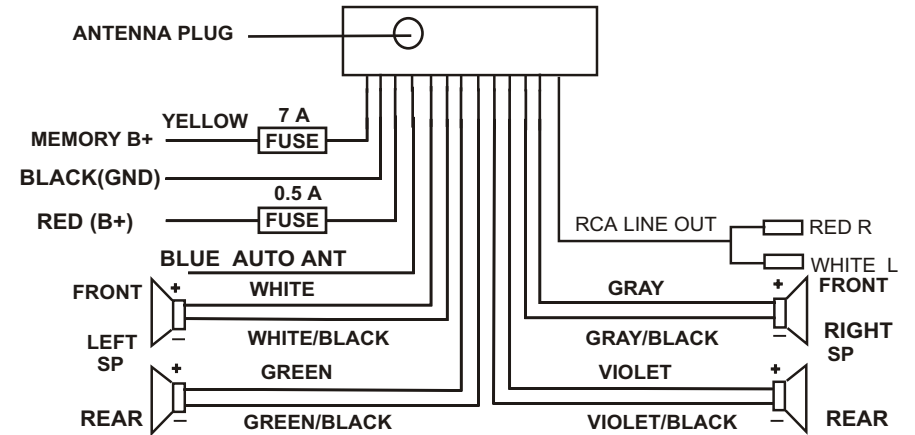
BALANCE CONTROL

- Press the SEL button to select the balance mode until BAL appears on the display.
- Press the UP or DN button to increase or decrease the sound level of left or right speaker.

FADER CONTROL

- Press the SEL button to select the fader mode until FAD appears on the display.
- Press the UP button or DN button to increase or decrease the sound level of front or rear speaker.

SPEAKER CONNECTION



NOTE:

In spite of having any kinds of speaker system, must use 4 ohms impedance of speaker to reduce the distortion during high volume level.

SPECIFICATION

GENERAL

Power requirement.....	DC 12V.
Current consumption.....	7A MAX.
Maximum Output Power.....	4 X 40W

FM SECTION

Frequency range.....	88MHz -108MHz
Usable sensitivity.....	10uV.
I.F Frequency.....	10.7MHz.

AM(MW) SECTION

Frequency range.....	530KHz - 1700KHz
----------------------	------------------

LINE - OUT [OPTION]

Output.....	250mV @ FM 10% THD POWER.
Impedance.....	600 ohm.

CD PLAYER

System.....	compact disc audio system.
Usable disc.....	compact disc.
Signal format.....	sampling frequency 44.1KHz.
	No of quantization bits 1bit.
Frequency characteristics.....	5-40Hz ≤ 5dB
	10K-20KHz ≤ 5dB.
Signal to noise ratio.....	70dB [1KHz] [IEC - A net work].
Chassis dimensions.....	178[W] X 50[H] X 150[D].

TROUBLE SHOOTING

Before going through the check list, wiring connection, should any of the problem persist after check list has been made, consult your nearest service dealer.

Symptom	Cause	Solution
No power	The car ignition is not on.	If the power supply is properly connected to the car accessory switch the ignition key to " ACC "
	The fuse is blown	Replace the fuse
Disc cannot be loaded or ejected	Presence of CD disc inside the player	Remove the disc in the player then put a new upward
	Inserting the disc in upside down	Insert the compact disc with the label facing upward
	Compact disc is extremely dirty or defective	Clean the disc or try to play a new one
	Temperature inside the car is too high	Cool off until the ambient temperature returns to normal
No sound	Condensation	Leave the player off for an hour or so, then try again
	Volume is in minimum	Adjust volume to a desired level
Sound skips	Wiring is not properly connected	Check wiring connection
	The installation angle is more than 30 degrees	Adjust the installation angle to less than 30 degrees
The radio does not work	The disc is extremely dirty or defective	Clean the compact disc/try to play a new one
	The antenna cable is not connected the signals are too weak	Insert the antenna cable firmly select a station manually

2. RELEASE BUTTON

Press it to detach the front panel when you want to take away.

3. TUNING KNOB

Rotate it to select your desired broadcasting station.

4. CD COMPARTMENT

5. LCD (LIQUID CRYSTAL DISPLAY)

6. CDP▶⏸ (CD PLAY, PAUSE) BUTTON

At tuner mode, press ▶⏸ button to switch to CD mode. At CD mode, press it to pause the CD playing and press it again to resume CD playback.

7. POWER BUTTON

Press it to turn on or off the unit.

8. EJECT BUTTON

Press it to eject the CD DISC.

9.10. TRACK UP/DOWN BUTTONS

a. During CD mode, press ▶⏸ button to allow you to track forward.

Hold the ▶⏸ button to allow you to skip forward.

b. During CD mode, press ⏮ button to allow you to track backward.

Hold the ⏮ button to allow you to skip backward.

9. 10.12. CLOCK ADJUSTMENT BUTTONS

During frequency display, press it to change to clock function.

Press CLK button for more than 2 seconds, until time flashes. and you can adjust time now.

To adjust hour:

with time on display, push the tune ⏮ button to adjust hour, when adjustment is completed, release the button.

To adjust minute:

with time on display, push the tune ▶⏸ button to adjust minute. When adjustment is completed, release the button.

11. BAND BUTTON

Press it to select your desired radio band and the word which band is selected will be displayed on LCD.

13. LUD/RDM BUTTON

LUD MODE:

When reduce the volume to half level, press it to enhance the bass effect.

RDM MODE:

During CD mode, press " RDM " button and hold for 2 seconds, it display " RDM " and Random function performs.

14. LOC/RPT BUTTON

LOCAL/DISTANCE MODE:

When in the radio mode, press it to select local or distance broadcast station receive sensitivity. The word LOC will appear on LCD during local state.

Attention: During AM mode, LOC is non-functional.

REPEAT MODE:

During CD mode. Press RPT button to repeat a single track.

15. MO/INT BUTTON

MO MODE: During RADIO mode, press it to select mono or stereo mode.

INT MODE: During CD mode, press " INTRO "button to hear the first 10 seconds of each track on the disc. Press this button again to restore the player to its normal play mode.

16. MUTE BUTTON

Press it to eliminate the sound immediately.

17. EQ BUTTON

Press it to switch between 4 preset equalizer curves: FLAT, POP, CLAS and ROCK, the sound quality will be changed.

IMPORTANT:

MEMORY WIRE (FOR BACKUP) AND POWER WIRE CAN NOT BE SWITCHED OFF AT THE SAME TIME, ONCE IT HAPPENS, ALL THE FUNCTION WILL BE TOTALLY IN DISORDER (DISTORTED DISPLAY IS ALSO INDICATED).

IF IT REALLY HAPPENS, PLEASE FOLLOW THE INSTRUCTIONS AS MENTIONED BELOW:

5 MINUTES LATER, PLEASE SWITCH ON THE MEMORY WIRE FIRST (CAN NOT PASS THROUGH IGNITION SWITCH) AND THEN SWITCH ON THE POWER. IT WILL RETURN TO NORMAL FUNCTION SOON.

DISC PLAY:

Cleaning discs

Before playing, clean the disc with a clean, lint-free.

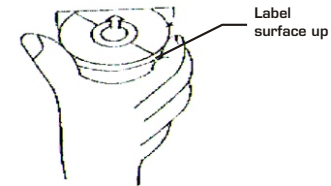
Flip the disc in the direction of the arrow.



NOTE:

. Do not use so solvents such as benzine, thinners. Commercially available cleaners or anti static spray damage the unit.

Insert a disc with the label surface down. Doing so may damage the unit.



NOTE:

. Do not try to insert another disc when one has been already inserted. Doing so may damage the unit.

.Handle the disc by its edge. And to keep the disc clean, do not touch the surface.



.Do not stick paper or tape on the disc.

.Do not expose the disc to direct sunlight or heat sources such as hot air ducts. Or leave it in a car parked in direct sunlight where there can be a considerable rise in temperature.