



**Suburban**  
Manufacturing Company

a subsidiary of AIRXCEL, Inc.

SUBURBAN MANUFACTURING COMPANY  
676 Broadway Street  
Dayton, Tennessee 37321



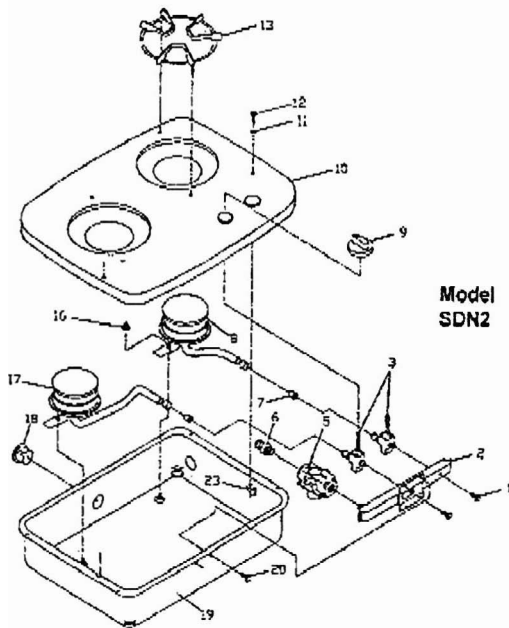
**REPLACEMENT PARTS LIST  
FOR DROP-IN COOK TOPS  
MODELS SDN2 • SDN3**



Only factory authorized parts are to be used. Do not attempt to repair defective parts.

When ordering repair parts from your dealer or a Suburban Service Center, always give the following information:

1. Part Number (Not Item No.)
2. Part Description
3. Model No., Serial No.
4. Number of Parts Required



**PARTS LIST - MODEL SDN2  
Figure 1**

| Item No. | Description   | Part Number |
|----------|---|-------------|
| 1        | Bolt, Valve Mounting (2 Required)                       | 121916      |
| 2        | Manifold (Two Burner)                                   | 171664      |
| 3        | Top Burner Valve (2 Required)                           | 161200      |
| 5        | Regulator   | 161140      |
| 6        | Fitting 3/8 Flare x 1/4 NPT                             | 171513      |
| 7        | Bushing, Burner Tube (2 Required)                       | 121931      |
| 8        | Burner Assembly (Right) includes item # 7               | 010962      |
| 9        | Knob Burner (2 Required)                                | 140245      |
| 10       | Top Assembly (2 Burner) Black                           | 102141BK    |
|          | Top Assembly (2 Burner) White                           | 102141WH    |
|          | Top Assembly (2 Burner) Stainless                       | 102143      |
| 11       | Washer, Flat (Nylon) (2 Required)                       | 121565      |
| 12       | Main Top Mounting Screw (2 Required)                    | 121887      |
| 13       | Grate   | 031194      |
| 16       | Nut, 10-24 Keps (2 Required)                            | 120717      |
| 17       | Burner Assembly (Left) includes item # 7                | 010961      |
| 18       | Bushing Universal                                       | 071047      |
| 19       | Burner Box Assembly (2 Burner) (Not a replaceable part) |             |
| 20       | Screw 10-24 x 1/4 (2 Required)                          | 121905      |
| 23       | Fastener, Tinnerman (2 Required)                        | 121662      |

Model  
SDN3

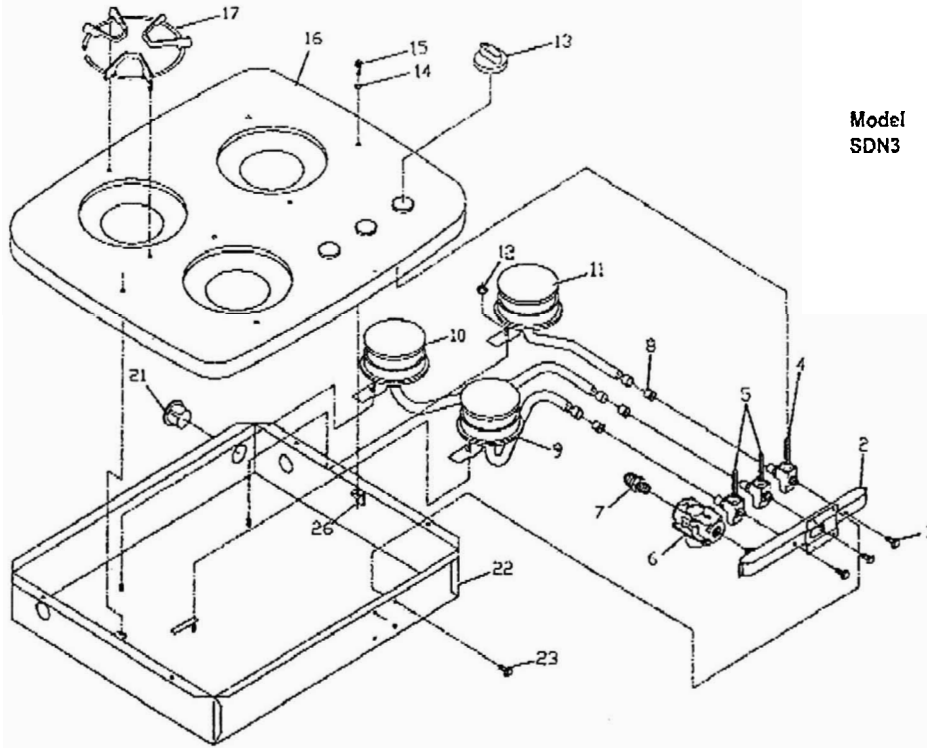


Figure 2

### PARTS LIST - MODEL SDN3

Figure 2

| Item No. | Description                                    | Part Number | Item No. | Description                                  | Part Number |
|----------|--|-------------|----------|--|-------------|
| 1        | Bolt, Valve Mounting (3 Required)              | 121916      | 16       | Top Assembly (3 Burner) Black                | 102142BK    |
| 2        | Manifold (Three Burner)                        | 171666      |          | Top Assembly (3 Burner) White                | 102142WH    |
| 4        | Top Burner Valve                               | 161200      |          | Top Assembly (3 Burner) Stainless            | 102144      |
| 5        | Top Burner Valve (2 Required)                  | 161201      | 17       | Grate  | 031194      |
| 6        | Regulator                                      | 161140      | 21       | Bushing Universal                            | 071047      |
| 7        | Fitting, 3/8 Flare x 1/4 NPT                   | 171513      | 22       | Burner Box Assembly (Not a replaceable part) |             |
| 8        | Bushing Burner Tube (3 Required)               | 121931      | 23       | Screw 10-24 x 1/4 (2 Required)               | 121905      |
| 9        | Burner Assembly (Left Front) includes item # 8 | 010964      | 26       | Fastener, Tinnerman (2 Required)             | 121662      |
| 10       | Burner Assembly (Left Rear) includes item # 8  | 010695      |          |  |             |
| 11       | Burner Assembly (Right Rear) includes item # 8 | 010963      |          |  |             |
| 12       | Nut 10-24 Keps (3 Required)                    | 120717      |          |  |             |
| 13       | Knob Burner (3 Required)                       | 140245      |          |  |             |
| 14       | Washer Flat (Nylon) (2 Required)               | 121565      |          |  |             |
| 15       | Main Top Mounting Screw (2 Required)           | 121887      |          |  |             |