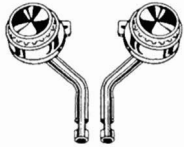
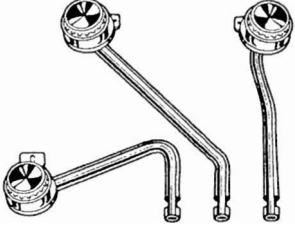
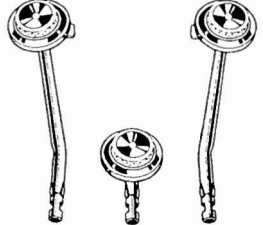
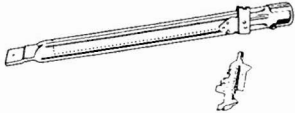
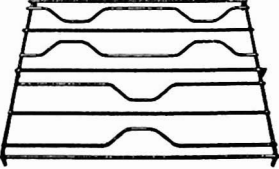

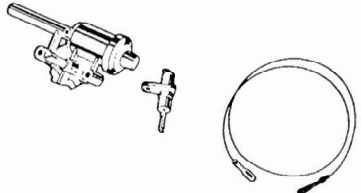
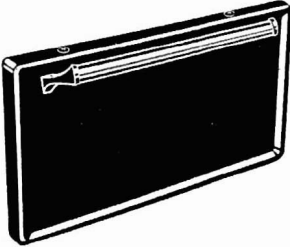
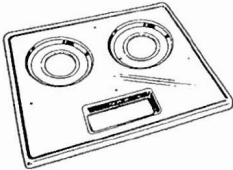
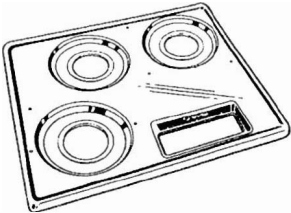
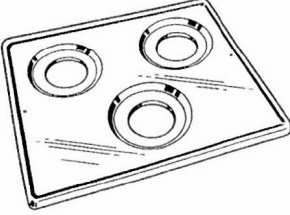



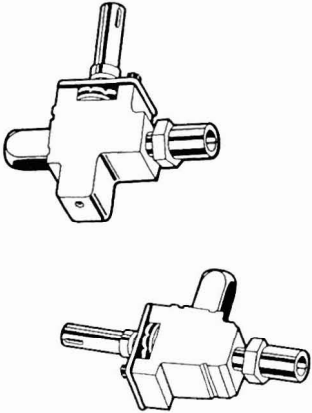

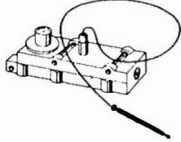
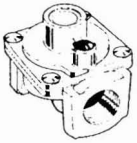
RV COOKING APPLIANCES FACTORY REPLACEMENT PARTS

ILLUSTRATED ITEM	DESCRIPTION	PART NO.
	BURNER-LEFT SIDE (SD2) Before serial #995004184 After serial # 995004184	010823 010828
	BURNER-RIGHT SIDE (SD2) Before serial #995004184 After serial #995004184	010822 010827
	BURNER-LEFT FRONT (SD3) Before serial #995004184 Above serial #995004184	010824 010829
	BURNER-LEFT REAR (SD3) Before serial #995004184 After serial #995004184	010826 010831
	BURNER-RIGHT REAR (SD3) Before serial #995004184 After serial #995004184	010825 010830
	BURNER-LEFT REAR (SR3S-SR3L-SC3) BURNER-LEFT REAR WITH PIEZO (SR3S-SR3L-SC3)	010840 010836
	BURNER-CENTER (SR3S-SR3L-SC3) BURNER-CENTER WITH PIEZO (SR3S-SR3L-SC3)	010841 010837
	BURNER-RIGHT REAR (SR3S-SR3L-SC3) BURNER-RIGHT REAR WITH PIEZO (SR3S-SR3L-SC3)	010842 010838
	BURNER-OVEN (SR3S-SR3L) Before serial #995205037 After serial #995205037	010839 010856
	BURNER-PILOT (SR3S-SR3L) Before serial #995205037 After serial #995205037	161153 161163
	GRATE-WIRE-LONG (SD2-SD3) GRATE-WIRE-SHORT (SD3)	031025 031028
	GRATE (SR3S-SR3L-SC3) GRATE-CLIP (All Models)	031047 121910
	RUBBER FOOT (SD2-SD3-SR3S-SR3L-SC3) (Not Shown)	140214
	KNOB-BURNER (SD2-SD3) (Top Left)	140219
	KNOB-BURNER FRONT (SR3S-SR3L-SC3) (Top Middle)	140220
	KNOB-BURNER REAR (SR3S-SR3L-SC3) (Top Right) Before serial #995205037 After serial #995205037	140217 140225
	KNOB-OVEN-THERMOSTAT (SR3S-SR3L) (Bottom Left) Before serial #995205037 After serial #995205037	140215 140224
	KNOB-PIEZO (SR3S-SR3L-SC3) (Bottom Right)	140216
	PIEZO (SR3S-SR3L-SC3)	161149
	PIEZO-ELECTRODE (SR3S-SR3L-SC3)	232577
	PIEZO-WIRE (SR3S-SR3L-SC3)	232494

RV COOKING APPLIANCES FACTORY REPLACEMENT PARTS

ILLUSTRATED ITEM	DESCRIPTION	PART NO.
	DOOR-OVEN-COMPLETE (SR3L) Before serial #003107360 Almond Black White Black Glass After serial #003107360 Almond Black White Black Glass DOOR-OVEN-COMPLETE (SR3S) Before serial #003107360 Almond Black White Black Glass After serial #003107360 Almond Black White Black Glass	031063AL 031063BK 031063WH 031062 031079AL 031079BK 031079WH 031080 031055AL 031055BK 031055WH 031056 031077AL 031077BK 031077WH 031078
	DOOR PANEL (SR3S) (All Models) Almond Black White	101834AL 101834BK 101834WH
	BLACK GLASS (SR3L) BLACK GLASS (SR3S)	310048 310047
	HANDLE-OVEN DOOR (SR3S-SR3L)	140221
	DOOR PANEL (SR3L) (All Models) Almond Black White	101835AL 101835BK 101835WH
		SD2 DROP IN TOP Almond Black White Stainless
	SD3 DROP IN TOP Almond Black White Stainless	2703AAL 2703ABK 2703AWH 2703AST
	SR3S-SR3L-SC3 RANGE/SLIDE IN TOP Almond Black White	101757AL 101758BK 101749WH

RV COOKING APPLIANCES FACTORY REPLACEMENT PARTS

ILLUSTRATED ITEM	DESCRIPTION	PART NO.
	RACK (SR3S-SR3L)	031059
	VALVE-BURNER (SD2) Before serial #995004184 After serial #995004184	161139 161142
	VALVE-BURNER-RIGHT & CENTER (SD3) Before serial #995004184 After serial # 995004184	161141 161143
	VALVE-BURNER-HIGH OUTPUT-LEFT SIDE (SD3) Before serial #995004184 After serial #995004184	161151 161158
	VALVE-BURNER-LEFT & RIGHT SIDES (SR3S-SR3L-SC3) Before serial #995205037 After serial #995205037	161148 161161
	VALVE-BURNER-HIGH OUTPUT-CENTER (SR3S-SR3L-SC3) Before serial #995205037 After serial # 995205037	161145 161160
	THERMOSTAT-OVEN (SR3S-SR3L) Before serial #995205037 After serial #995205037	161150 161159
	VALVE-OVEN-SAFETY (SR3S-SR3L) Before serial #995205037 After serial #995205037	161152 161162
	REGULATOR (SD2-SD3-SR3S-SR3L-SC3)	161140