

Installation / User Instructions - Horizontal Outlet Range Hood

120Volt AC. Models Covered: PH41, PH51, PH52, PH61, PH62, C1245, C1246

12Volt DC. Models covered: PH21, PH22, PH31, PH32

Caution! For general ventilating use only. Do not use to exhaust hazardous or explosive materials or vapors.

Caution! Do not allow insulation, ceiling finishing materials, roofing materials, or other debris to enter the fan housing or ductwork. Motor failures due to debris are not subject to warranty coverage.

WARNING!

TO REDUCE THE RISK OF FIRE, ELECTRIC SHOCK, OR INJURY TO PERSONS, OBSERVE THE FOLLOWING:

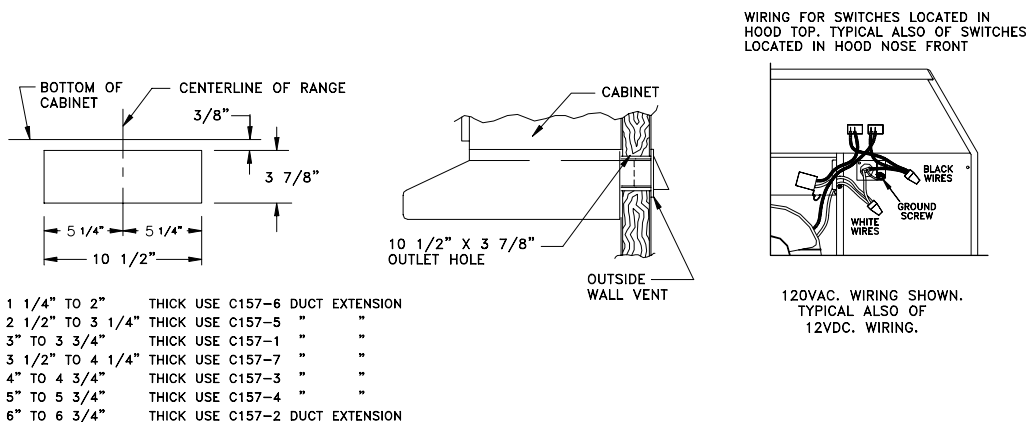
- A) **Do not** use this fan with any solid state speed control device.
- B) Installation work and electrical wiring must be done by qualified person(s) in accordance with all applicable codes and standards, including fire related construction.
- C) Sufficient air is needed for proper combustion and exhausting of gases through the flue (chimney) of fuel burning equipment to prevent back drafting. Follow the heating equipment manufacturer's guidelines and safety standards such as those published by the National Fire Protection Association (NFPA), The American Society for Heating, Refrigeration and Air Conditioning Engineers (ASHRAE), and local code authorities.
- D) When cutting into walls or ceilings, do not damage electrical wiring and other hidden utilities.
- E) **Use only metal ductwork.** Exhaust air must be ducted to the outside. Do not vent exhaust air into spaces within walls, ceilings, attics, crawl spaces or garages.

- 1) Mark centerline of range on wall and underside of cabinet and measure 5 1/4" from each side of centerline on wall.
- 2) Cut 10 1/2" x 3 7/8" hole located 3/8" down from rear cabinet edge, centered left to right with range centerline through wall.
- 3) Route electrical supply wire through 7/8" diameter opening and attach proper connector for type of wire used.
- 4) Attach extension duct to hood outlet if needed and insert duct into wall opening and attach hood to underside of cabinet with screws of sufficient length through the four (4) mounting holes.

NOTE: Make all electrical supply connections in accordance with local and/or applicable codes.

- 5) Remove the single screw holding the wiring compartment cover in place. Connect white to white, black to black and attach bonding wire to green ground screw provided. Replace wiring compartment cover by inserting tab on cover into the slot located on side of blower housing and re-attach screw. Make sure all wiring is safely enclosed inside compartment.
- 6) **Verify that blower housing and ductwork are free of debris and that fan blade spins freely.** Install a suitable outside wall vent per manufacturer's instructions if instructions are provided.

Note: If total wall thickness exceeds 1 1/2", use C0157 duct extension as per below.



Please refer to the reverse side of this document for additional safety and cleaning Instructions.

Range Hood User Instructions

WARNING ! TO REDUCE THE RISK OF A RANGE TOP GREASE FIRE:

- A) Never leave surface units unattended at high settings. Boilovers cause smoking and greasy spillovers that may ignite. Heat oils slowly on low or medium settings.
- B) Always turn hood **ON** when cooking at high heat or when cooking flambéing food. (i.e. Crepes Suzette, cherries Jubilee, Peppercorn Beef Flambé).
- C) Clean ventilating fans frequently. Grease should not be allowed to accumulate on fan or filter.
- D) Use proper pan size. Always use cookware appropriate for the size of the surface element.

WARNING ! TO REDUCE THE RISK OF INJURY TO PERSONS IN THE EVENT OF A RANGE TOP GREASE FIRE, OBSERVE THE FOLLOWING:

- A) **SMOTHER FLAMES** with a close-fitting lid, cookie sheet or metal tray, then turn off the burner. **BE CAREFUL TO PREVENT BURNS. If the flames do not go out immediately, EVACUATE AND CALL THE FIRE DEPARTMENT.**
- B) **NEVER PICK UP A FLAMING PAN!** - You may be burned.
- C) **DO NOT USE WATER**, including wet dishcloths or towels - a violent steam explosion will result.
- D) Use an extinguisher **only** if:
 1. You know you have a class **ABC** extinguisher, and you already know how to operate it.
 2. The fire is small and contained in the area where it started.
 3. The fire department is being called.
 4. You can fight the fire with your back to an exit.

Based on 'Kitchen Fire Safety Tips' published by the NFPA.

Read and Save These Instructions !

WARNING! TO REDUCE THE RISK OF FIRE, ELECTRIC SHOCK, OR INJURY TO PERSONS, OBSERVE THE FOLLOWING:

- a) Use this unit only in the manner intended by the manufacturer. If you have questions, contact the manufacturer.
- b) Before servicing or cleaning unit, switch power off at the service panel and lock service disconnecting means to prevent power from being switched on accidentally. **When the service disconnecting means cannot be locked, securely fasten a prominent warning device, such as a tag, to the service panel.**

Care And Cleaning

After disconnecting power, wipe the fan blade with a moist cloth or sponge to remove any dirt buildup. Always replace filter after cleaning in mild detergent solution. Never attempt to clean lamp bulb while it is hot.

Use 40 watt or less lamp bulb for 120VAC fan units. Use trade #912 or #921 bulb for 12VDC Recreational vehicle fan units.

Ventline Division of Philips Products
902 South Division Street
Bristol, Indiana 46507
www.ventline.com

Document CD0242-00
Rev. K, 06/03