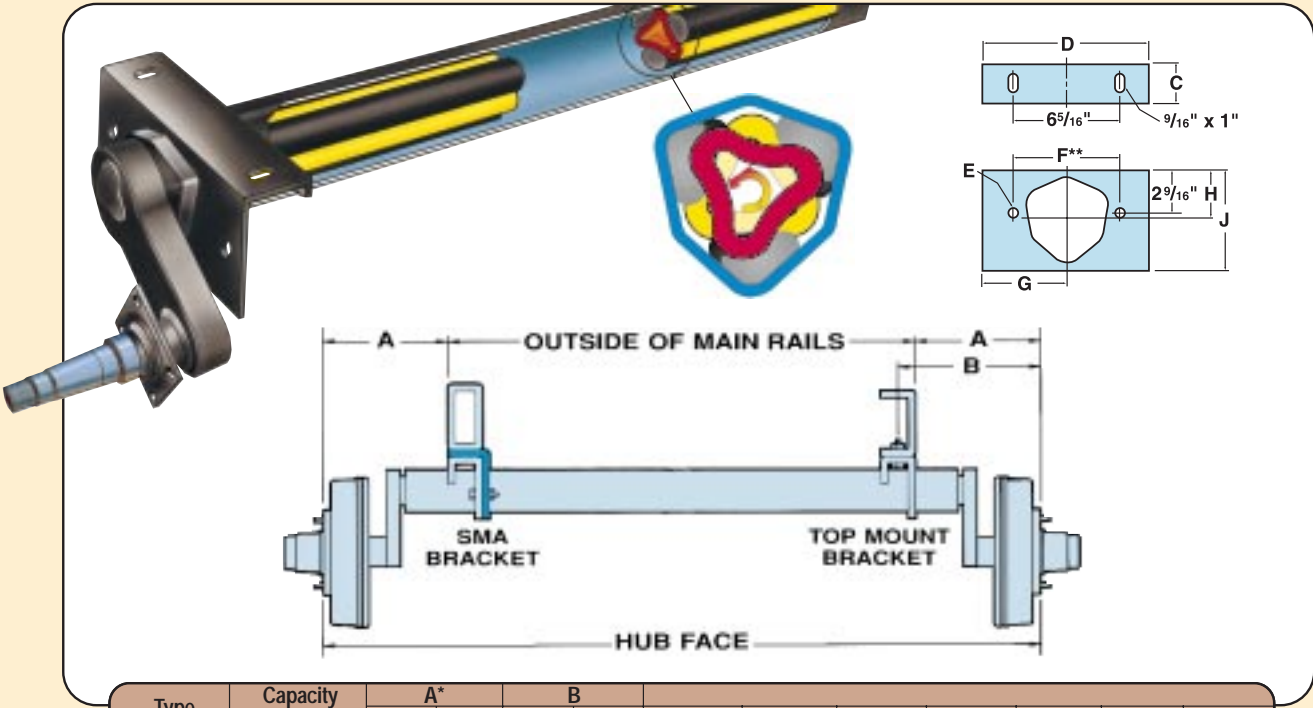


ALKO Rubber Suspension Axles



2000 to 3500 Lbs. Capacity

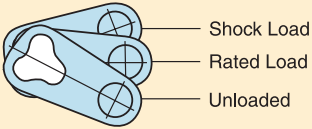


Type	Capacity Max	A*		B		C	D	E	F**	G	H	J
		Min	Max	Min	Max							
U-19	2200	6.0	10.0	7.0	11.0	2.0	7.9	.56	6.3	3.95	2.0	4.2
U-29	3000	6.0	10.0	7.2	11.2	2.4	7.9	.56	6.3	3.95	2.6	5.1
U-35	3500	6.0	10.0	7.2	11.2	2.4	7.9	.56	6.3	3.95	2.6	5.1

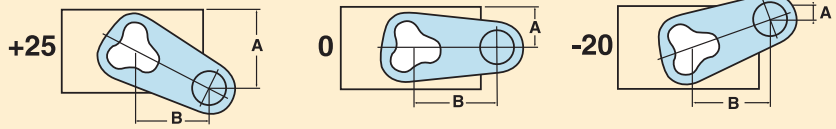
* Add 1" to min. for side mount brackets turned outward.

**Side mount holes optional, specify when ordering.

Total Swing Arm Travel



Standard Starting Angles



	Start Angle	A			B		
		Unloaded	Rated Load	Shock Load	Unloaded	Rated Load	Shock Load
		U-19	+ 40	5.8	3.8	2.4	4.5
	+ 25	4.5	2.0	0.5	5.3	5.9	5.6
	+ 10	3.0	0.6	(1.0)	5.8	5.7	5.0
	0	2.0	(0.4)	(1.8)	5.9	5.4	4.5
	- 10	1.0	(1.3)	(2.5)	5.8	4.9	4.1
	- 20	0.0	(2.2)	(3.4)	5.5	4.5	3.4
U-29	+ 40	6.6	4.5	3.0	4.8	5.9	6.3
U-35	+ 25	5.3	2.6	0.9	5.7	6.3	5.9
	+ 10	3.7	1.1	(0.6)	6.2	6.1	5.3
	0	2.6	0.0	(1.5)	6.3	5.7	4.8
	- 10	1.5	(0.9)	(2.2)	6.2	5.3	4.4
	- 20	0.4	(1.9)	(3.2)	5.9	4.7	3.7

Figures in () indicate spindle center above top of bracket.