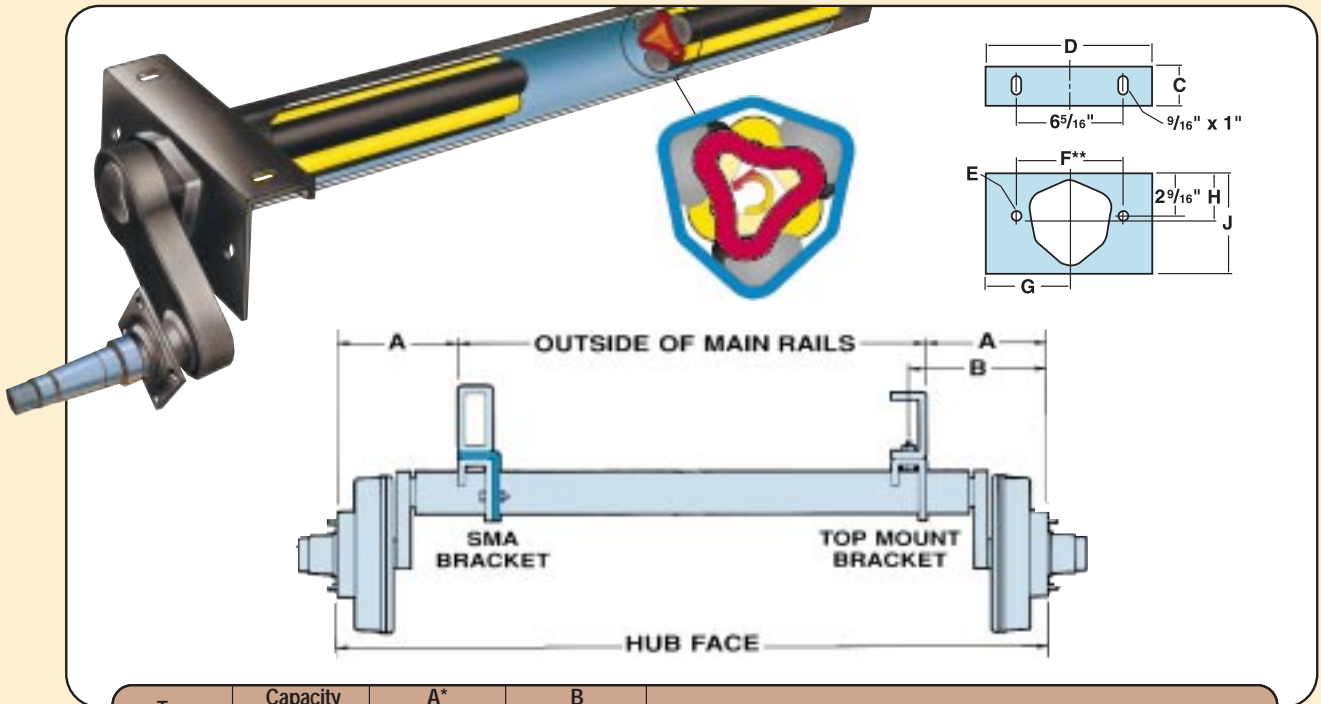


ALKO Rubber Suspension Axles



4000 to 7000 Lbs. Capacity

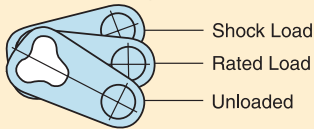


Type	Capacity Max	A*		B		C	D	E	F**	G	H	J
		Min	Max	Min	Max							
H-52	5200	7.0	11.0	8.2	12.2	2.4	9.8	.69	8.0	4.9	3.0	6.0
H-60	6000	7.0	11.0	8.2	12.2	2.4	9.8	.69	8.0	4.9	3.0	6.0
H-70	7000	7.0	10.5	8.2	11.7	2.4	9.8	.69	8.0	4.9	3.0	6.0

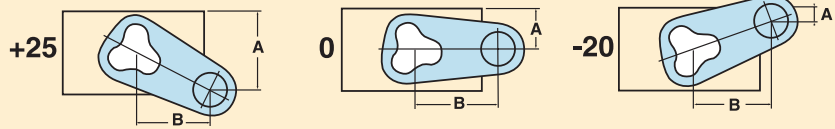
* Add 1" to min. for side mount brackets turned outward.

**Side mount holes optional, specify when ordering.

Total Swing Arm Travel



Standard Starting Angles



	Start Angle	A			B		
		Unloaded	Rated Load	Shock Load	Unloaded	Rated Load	Shock Load
H-52 H-60	+ 40	6.9	4.9	3.4	4.6	5.6	6.0
	+ 20	5.0	2.7	0.8	5.6	6.0	5.5
	+ 10	4.0	1.5	(0.1)	5.9	5.8	5.0
	0	3.0	0.6	(0.9)	6.0	5.5	4.6
	- 10	2.0	(0.4)	(1.5)	5.9	5.0	4.2
	- 20	1.0	(1.1)	(2.4)	5.6	4.6	3.5
H-70	+ 25	5.5	3.0	1.4	5.4	6.0	5.7
	0	3.0	0.6	(0.9)	6.0	5.5	4.6
	- 20	1.0	(1.1)	(2.4)	5.6	4.6	3.5

Figures in () indicate spindle center above top of bracket.