

Installation Instructions - 12VDC Ventadome

Models Covered: V2094, V2100, V2185, V2119

Caution! For general ventilating use only. Do not use to exhaust hazardous or explosive materials or vapors.
Caution! Do not allow insulation, ceiling finishing materials, roofing materials, or other debris to enter the fan area. Motor failures due to debris are not subject to warranty coverage.

WARNING!

TO REDUCE THE RISK OF FIRE, ELECTRIC SHOCK, OR INJURY TO PERSONS, OBSERVE THE FOLLOWING:

- A) Do not use this fan with any solid state speed control device.
- B) Installation work and electrical wiring must be done by qualified person(s) in accordance with all applicable codes and standards, including fire related construction.
- C) Sufficient air is needed for proper combustion and exhausting of gases through the flue (chimney) of fuel burning equipment to prevent back drafting. Follow the heating equipment manufacturer's guidelines and safety standards such as those published by the National Fire Protection Association (NFPA), The American Society for Heating, Refrigeration and Air Conditioning Engineers (ASHRAE), and local code authorities.
- D) When cutting into walls or ceilings, do not damage electrical wiring and other hidden utilities.
- E) If this unit is to be installed over a tub or shower, it must be marked as appropriate for the application and be connected to a GFCI (ground fault circuit interrupter) -protected branch circuit.
- F) **NEVER** place a switch where it can be reached from a tub or shower

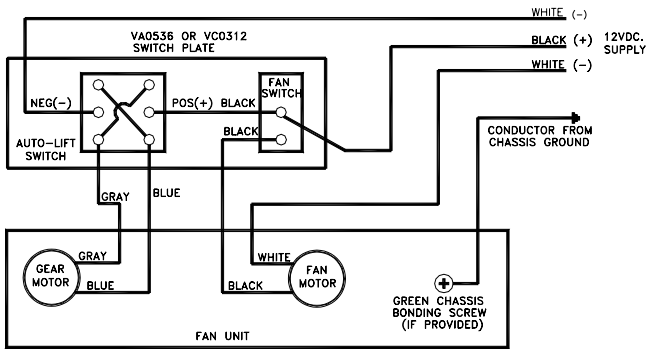
- 1) **CAUTION ! Do not** install this fan unit over tub or shower.
- 2) This fan unit is acceptable for ceiling installation in a cooking area. This fan unit is **not intended** for direct installation over range cooking surfaces.
- 3) Locate ceiling joists, mark desired location between joists on ceiling and roof. Cut 14 1/4" square opening through ceiling and roof.
- 4) Place sealant around bottom edge of roof mounting flange. Orient the vent so that the hinge is towards the vehicle front and insert vent into the opening with the screen frame extending through the roof cavity. Mount vent to roof with #8 screws of sufficient length through the mounting holes in the flange.

For Models With Auto-Lift Dome Feature: Make provisions for mounting switches to wall or other stationary barrier. Use minimum 18awg. wire between switches and unit. To accommodate voltage drop on long runs, 16awg. wire may have to be used. Fuse the fan and the auto-lift feature separately.

- 5) Remove screen frame and wiring compartment cover. Using a suitable strain relief, make all electrical connections in accordance with local and/or applicable codes. (see back side for wiring diagrams) Replace wiring compartment cover and screen frame and attach crank handle.
- 6) Verify that the fan unit is free of debris and that the fan spins freely. Place ceiling garnish trim collar portion into groove around the screen frame. Drive #8 screws through the mounting holes and tighten to ceiling. Be careful not to over tighten and distort garnish.

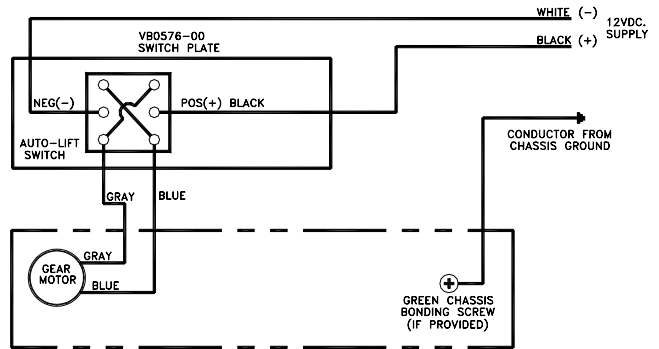
Please refer to the reverse side of this document for wiring diagrams and additional safety and cleaning Instructions.

AUTO-LIFT VENTADOME WIRING DIAGRAM MODEL V2119



WIRE THE FAN UNIT TO VA0536 OR VC0312 SWITCH PLATE PER DIAGRAM ABOVE. USE MIN. 18AWG LEAD WIRES FOR INSTALLATION. AMPACITY OF 18AWG WIRE IS 6.0 AMPS. ATTACH CHASSIS GROUND CONDUCTOR TO GREEN SCREW IN WIRING COMPARTMENT. (IF PROVIDED)

AUTO-LIFT VENTADOME WIRING DIAGRAM MODEL V2185



WIRE THE FAN UNIT TO VB0576 SWITCH PLATE PER DIAGRAM ABOVE. USE MIN. 18AWG LEAD WIRES FOR INSTALLATION. AMPACITY OF 18AWG WIRE IS 6.0 AMPS. ATTACH CHASSIS GROUND CONDUCTOR TO GREEN SCREW IN WIRING COMPARTMENT. (IF PROVIDED)

Read and Save These Instructions !

Warning! To reduce the risk of fire, electric shock, or injury to persons, observe the following:

- Use this unit only in the manner intended by the manufacturer. If you have questions, contact the manufacturer.
- Before servicing or cleaning unit, switch power off at the service panel and lock service disconnecting means to prevent power from being switched on accidentally. When the service disconnecting means cannot be locked, securely fasten a prominent warning device, such as a tag, to the service panel.

Care And Cleaning

Fan Interior: After disconnecting power, remove the garnish trim, crank handle and screen frame to gain access to the motor and fan blade. Vacuum any accumulated dust and lint from the fan blade, housing interior, and motor. Wipe the fan blade with a moist cloth or sponge to remove any dirt buildup.

Inlet screen: Before replacing screen and garnish trim, clean with a solution of warm water and mild detergent applied with a soft cloth or sponge. Do not use gritty or abrasive cleaners.

Ventline, Division of Philips Products, Inc
 902 South Division
 Bristol, IN 46507
www.ventline.com
techsupport@ventline.com